

TRIUMPH

REPLACEMENT PARTS CATALOGUE

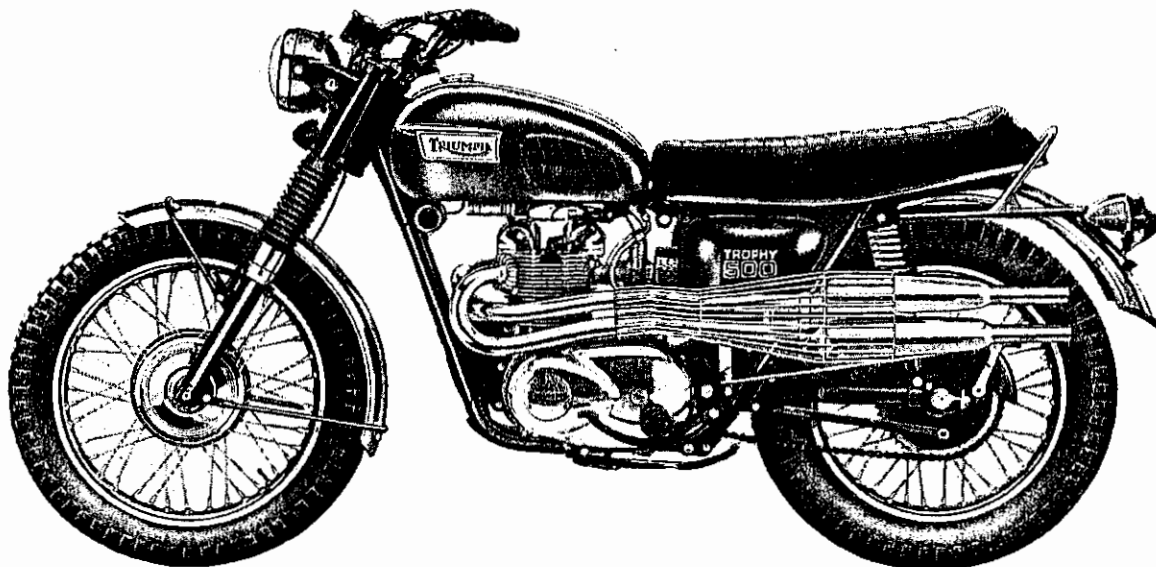
1970

"C" RANGE MODELS
TIGER 100 (T100R, T100C)

56-00290

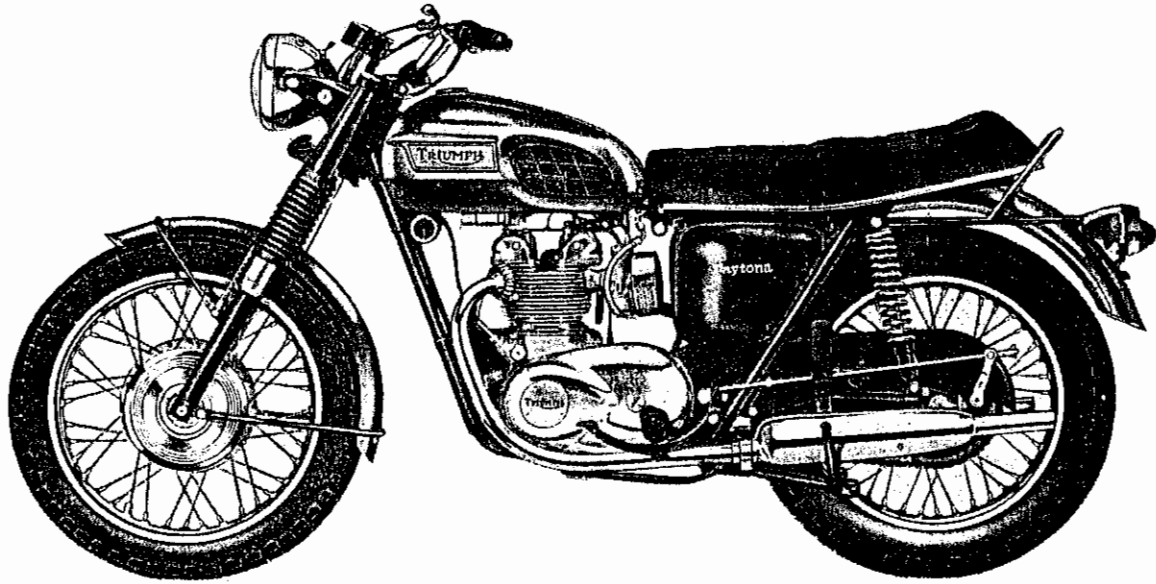
INDEX

	Page		Page
AIR FILTER	57	HEADLAMP	67, 71
ALTERNATOR	9, 31	HEAT SINK	69
AUTO-ADVANCE UNIT	21	HORN	69
BATTERY CARRIER	57	KICKSTARTER	27
BRAKE SWITCHES	39, 61	 	
 		MANIFOLD	15
CAMSHAFT, INLET AND EXHAUST	9	MOTOR TORQUE STAY	35
CAPACITOR, IGNITION	67	MOTOR FITTINGS	35
CARBURETOR	63, 65	MUFFLERS	33
CARTON PACKS	7	 	
CENTRE STAND	37	OIL PUMP	13
CHAINS	31	OIL TANK	55
CHAINCASE	31	 	
CLUTCH	29	PISTONS	9
CLUTCH LEVER ASSEMBLY	27	PROP STAND	37
COIL	69	PUSH RODS	17, 19
CONDENSER PACK	67	 	
CONNECTING RODS	9	REAR WHEEL	47
CONTACT BREAKER	21	RECTIFIER	69
CONTROL CABLES	61	REFLECTORS	49, 53
CONTROL LEVERS	59	ROCKERS	17, 19
CRANKCASE	11	 	
CRANKCASE UNDERSHIELD	35	SIDE PANEL	51
CRANKSHAFT	9	SPARK PLUG	69
CYLINDERS	17, 19	SPEEDOMETER	73
CYLINDER HEAD	17, 19	SPEEDOMETER GEARBOX	47, 49
 		STEERING RACES	37
EXHAUST PIPES	33, 35	SUSPENSION UNITS	39
EXHAUST PIPE ADAPTOR	17, 19	SWINGING FORK	39
 		SWITCHES	67, 71
FENDERS	49	 	
FOOTRESTS	35	TACHOMETER	73
FRAME	37	TACHOMETER GEARBOX	73
FRONT BRAKE	45	TAIL LAMP	49, 71
FRONT BRAKE LEVER	61	TAPPETS	17, 19
FRONT FORKS	41	TIMING GEARS	17, 19
FRONT WHEEL	43, 45	TOOLKIT	57
FUSE ASSEMBLY	57	TWIN SEAT	51
GASKET SET	7	VALVES	17, 19
GAS TANKS	53	VALVE GUIDES	17, 19
GEARBOX	23, 25	 	
 		WIRING HARNESS	67, 71
HANDLEBARS	59	 	
		ZENER DIODE	69



TIGER 100 (T100C) TECHNICAL DATA

Bore and Stroke		2.716 x 2.578 ins.
Capacity		29.8 cu. ins.
Compression Ratio		9 : 1
Spark Plugs		Champion N4
Carburetor		Amal Concentric
	Main Jet	180
	Needle Jet	.106
	Needle	Standard
	Throttle Valve	No. 4
Gearbox Sprocket		18 teeth
Chains	Front	$\frac{3}{8}$ in. Duplex x 78 links
	Rear	$\frac{5}{8}$ in. x $\frac{3}{8}$ in. x 102 links
Capacities	Gas Tank	2 $\frac{3}{8}$ U.S. galls.
	Oil Tank	6 U.S. pints
	Gearbox	2/3 pint (375 c.c.)
	Primary Chaincase	$\frac{1}{2}$ pint (300 c.c.)
	Front Forks (each leg)	$\frac{1}{3}$ pint (200 c.c.)
Brakes	Front and Rear, diameter	7 in. (17.18 cm.)
Tyre Size	Front	3.50 x 19
	Rear	4.00 x 18



TIGER 100 (T100R) TECHNICAL DATA

Bore and Stroke		2.716 x 2.578 ins.
Capacity		29.8 cu. ins.
Compression Ratio		9 : 1
Spark Plugs		Champion N4
Carburetor		Amal Concentric
	Main Jet	160
	Needle Jet	.106
	Needle	Standard
	Throttle Valve	No. 3
Gearbox Sprocket		19 teeth
Chains	Front	$\frac{3}{8}$ in. Duplex x 78 links
	Rear	$\frac{5}{8}$ in. x $\frac{3}{8}$ in. x 103 links
Capacities	Gas Tank	2 $\frac{3}{8}$ U.S. Galls.
	Oil Tank	6 U.S. pints
	Gearbox	2/3 pint (375 c.c.)
	Primary Chaincase	$\frac{1}{2}$ pint (300 c.c.)
	Front Forks (each leg)	$\frac{1}{3}$ pint (200 c.c.)
Brakes	Front, diameter	8 in. (20.32 cm.)
	Rear, diameter	7 in. (17.18 cm.)
Tyre Size	Front	3.25 x 19
	Rear	4.00 x 18

CARTON PACK LIST

The following sub-assemblies are supplied in carton packs under the part number stated. The contents of these carton packs are preserved and will not deteriorate under adverse conditions.

Part No.	Contents
----------	----------

PISTONS (c/w rings, gudgeon pins and circlips)

E.6906	7.0 : 1 C.R.	500 c.c.	Low grade fuel
E.6884	9 : 1 C.R.	500 c.c.	T.100R, T100C
E.7603	7.5 : 1 C.R.	500 c.c.	Available

All piston assemblies are available in 0.010 in., 0.020 in., 0.040 in., oversizes (0.25 m.m., 0.5 m.m., 1.0 m.m.).

BRAKE LININGS

C.P. 38/AM2	2	NW243	Brake lining
	16	W129	Rivet
C.P. 205	2	W1734	Brake lining
	16	W129	Rivet

VALVE SPRINGS (all models)

C.P.177	4	E5946	Inner valve spring
	4	E4011	Outer valve spring
De-coke Gasket Set	All models	D/GS 6	
Overhaul Gasket Set	All Models	GST100/65/66	

STEERING HEAD RACES

C.P. 156	2	H111	Cup
	1	H439	Cone
	1	H1018	Top cone
	40	S70-3	Ball

Model	Colour
T100	JACARRANDA/SILVER

Paint is available also in all colours in $\frac{1}{4}$ pint or 1 gallon tins, or Aerosol containers.

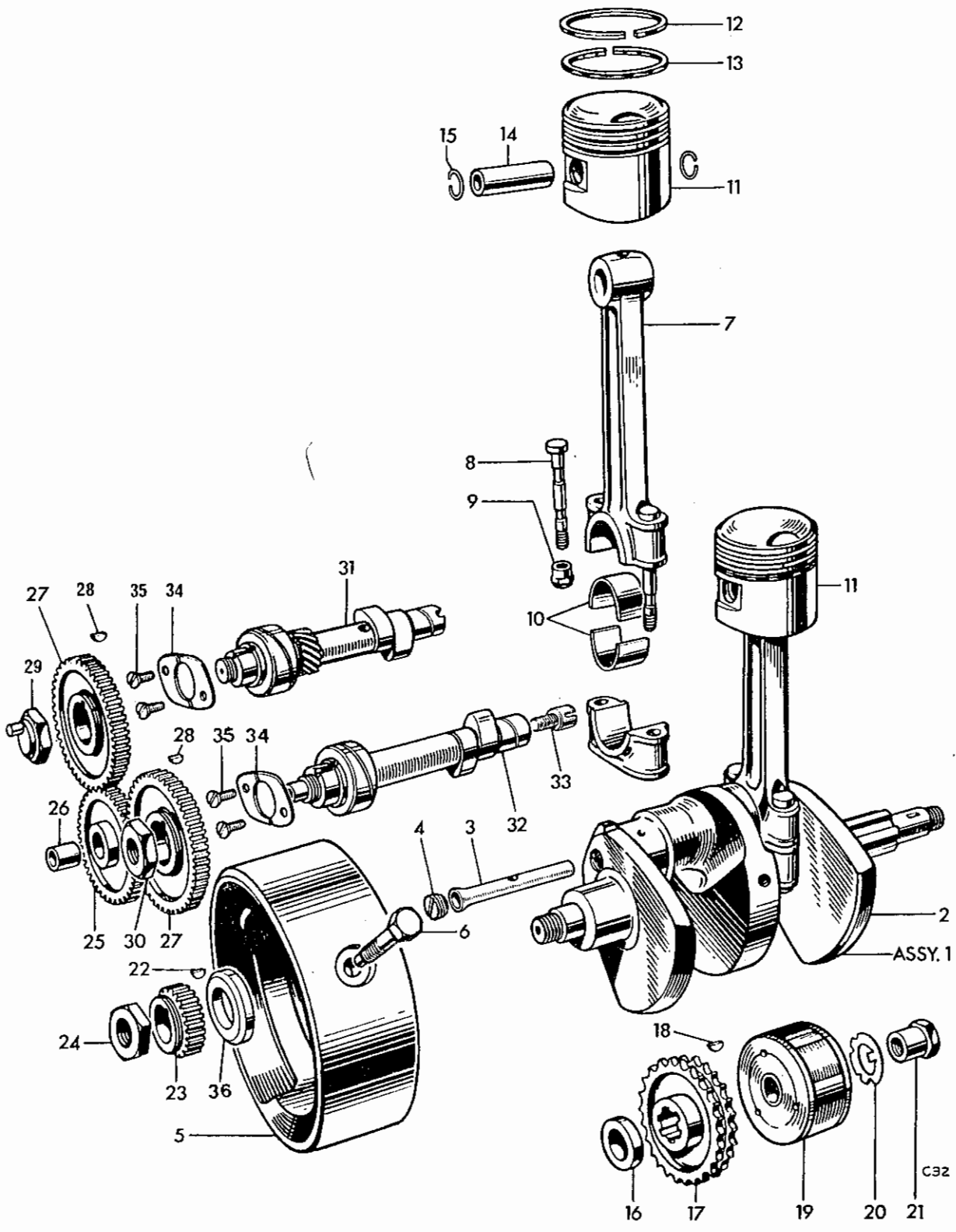


Fig. 1. CRANKSHAFT AND CONNECTING RODS

CRANKSHAFT AND CONNECTING RODS

1	E9489	CRANKSHAFT AND FLYWHEEL ASSEMBLY	1	
2	E9490	Crankshaft	1	
3	E3999	Oil tube	1	
4	E9492	Screwed plug	1	
5	E5870	Flywheel	1	
6	*51913	Flywheel bolt (1 $\frac{1}{2}$ in. U.H.)	3	
7	E8834	CONNECTING ROD	2	
8	E3705	Connecting rod bolt	2	
9	E2922	Self-locking nut	2	
10	E3706	Big end bearing (available in —.010 and —.020 undersizes)	4	
11	E6884	PISTON COMPLETE C.R. 9.1	2	T100R, T100C
12	E6893	Taper compression ring	4	
13	E6894	Oil control ring	2	
14	E6861	Gudgeon pin	2	T100C, T100R
15	E6869	Circlip	4	T100C, T100R
16	E9505	Distance collar	1	
17	E3734	Engine sprocket, 26T Duplex	1	
18	E3851	Rotor key	1	
19	54213901	Rotor, type (99-0739)	1	
20	E3975	Tab washer	1	
21	S1915	Nut	1	
22	E1580	Key	1	
23	E1771	Timing pinion	1	
24	S1914	Nut	1	
25	E6160	INTERMEDIATE WHEEL	1	
26	E400	Bush	1	
27	E4562	Camshaft wheel	2	
28	E1558	Camshaft key	2	
29	E11007	Inlet camshaft nut	1	
30	E6523	Exhaust camshaft nut	1	
31	E11064	Inlet camshaft	1	
32	E9984	EXHAUST CAMSHAFT	1	T100R
32	E9983	EXHAUST CAMSHAFT	1	T100C
33	E9988	Tachometer drive plug	1	
34	E9502	Retaining plate	2	
35	S1929	Screw (1 $\frac{1}{2}$ in. U.H.)	4	
36	E9503	Clamping washer	1	

*Use D524 Loctite sealant

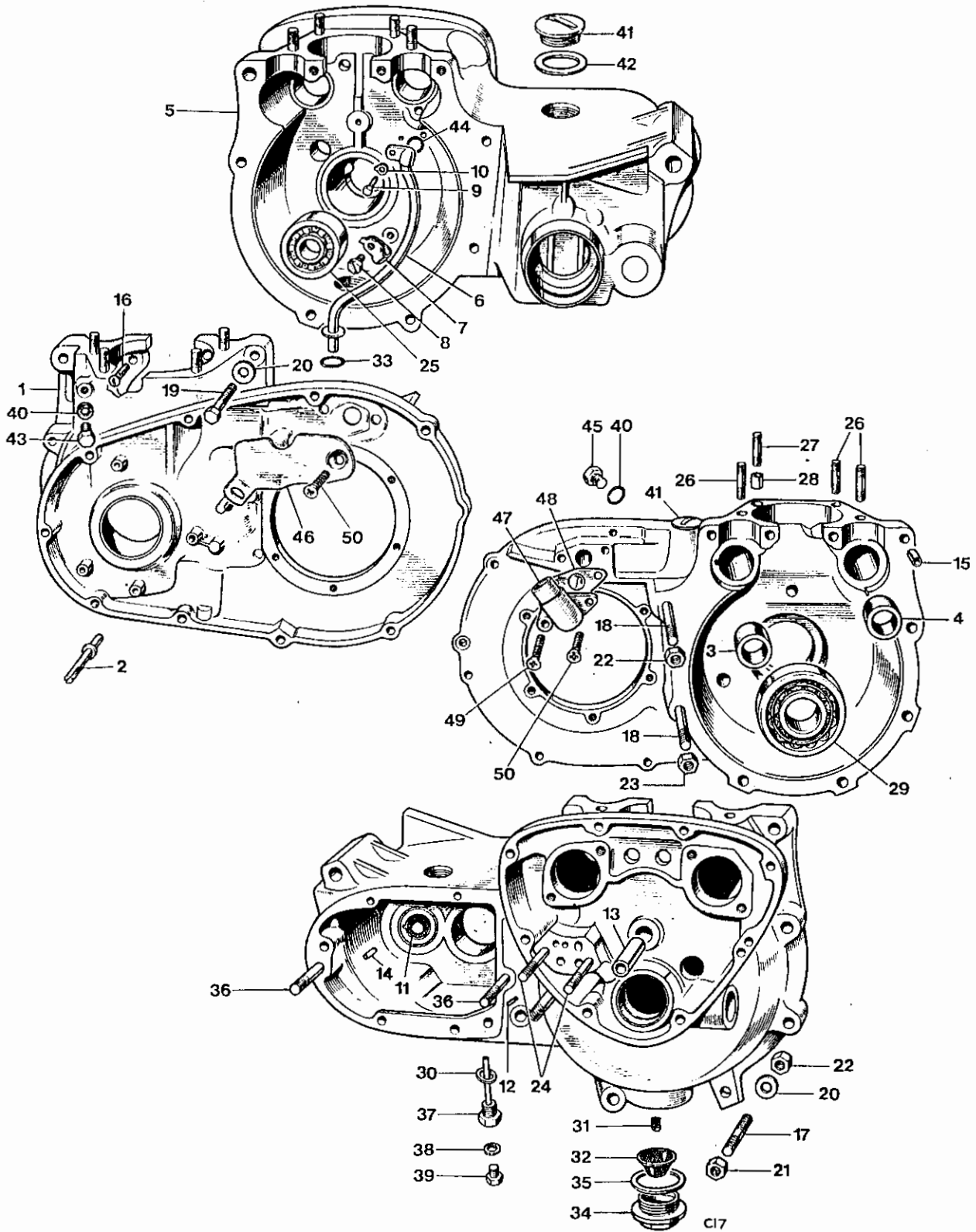


Fig. 2. CRANKCASE

Ref. No.	Part No.	DESCRIPTION	QUANTITY	REMARKS
CRANKCASE				
1	E11268	CRANKCASE DRIVE SIDE	1	
2	E5976	Pivot pin	1	
3	E3823	Camshaft bush	1	
4	E3823	Camshaft bush	1	
5	E11269	CRANKCASE TIMING SIDE	1	
6	E9496	Oil scavenge pipe	1	
7	E1509	Clip	1	
8	S1920	Screw	1	
9	14-6102	Bolt	1	
10	E7430	Tab washer	1	
11	T1606	Needle roller bearing	1	
12	E6386	Dowel at junction block	1	Not serviced
13	E375	Idler gear spindle	1	
14	T912	Peg (at thrust washer)	1	
15	E3716	Hollow dowel	2	
16	S1926	Screw ($3\frac{1}{2}$ in. U.H.)	2	
17	S2006	Stud (3 in. O.A.)	1	
18	S1925	Stud ($3\frac{3}{8}$ in. U.H.)	2	
19	S1919	Bolt ($1\frac{5}{8}$ in. U.H.)	1	
20	S25-3	Plain washer	3	
21	14-0302	Nut	3	
22	S1908	Nut	1	
23	14-0302	Nut	1	
24	S1864	Oil pump stud ($1\frac{5}{16}$ in. O.A.)	2	
25	E9494	Right main bearing (ball journal)	1	
26	S1921	Cylinder base stud ($1\frac{1}{2}$ in. O.A.)	6	
27	S1922	Cylinder base stud ($1\frac{1}{16}$ in. O.A.)	2	
28	E1534	Dowel	2	
29	E9493	Left main bearing (Roller journal)	1	
30	T1257	Washer	1	
31	E3724	Filter spring	1	
32	E3722	Filter	1	
33	E7431	Sealing washer	1	
34	E9501	Filter cap	1	
35	E1577	Joint washer	2	
36	S1927	Stud ($3\frac{1}{16}$ in. O.A.)	2	
37	T2167	Drain plug (with level tube)	1	
38	E2441	Fibre washer	1	
39	S543	Level plug	1	
40	E8896	Fibre washer	1	
41	T2166	Filler plug	2	
42	E8782	"O" ring	1	
43	S1871	Blanking plug (L.H. thread)	1	
44	E7431	"O" ring	1	
45	S1872	Plug	1	
46	E11079	Cover plate	1	
47	E9335	Outlet stub-breather	1	
48	E11076	Joint washer	1	
49	E11075	Screw	2	
50	E11077	Screw	1	

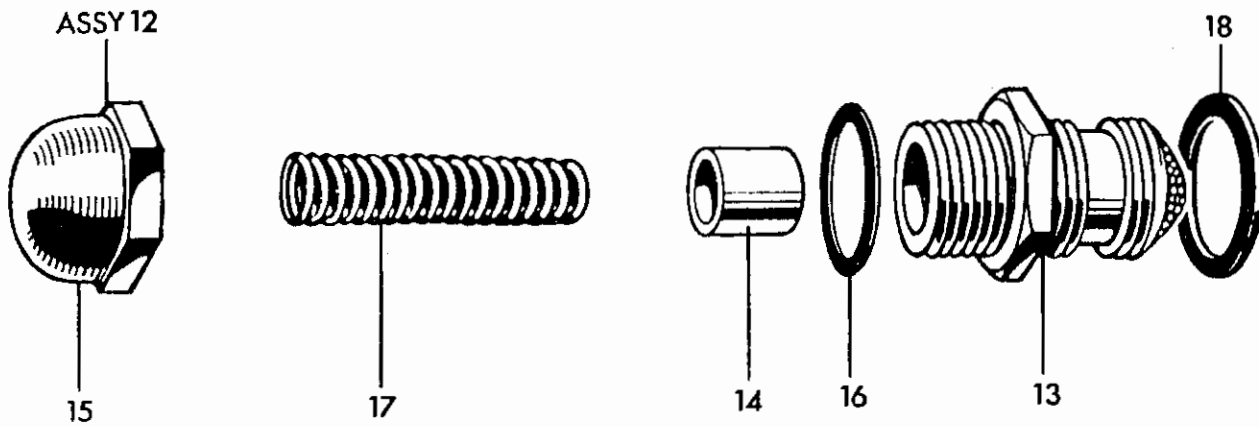
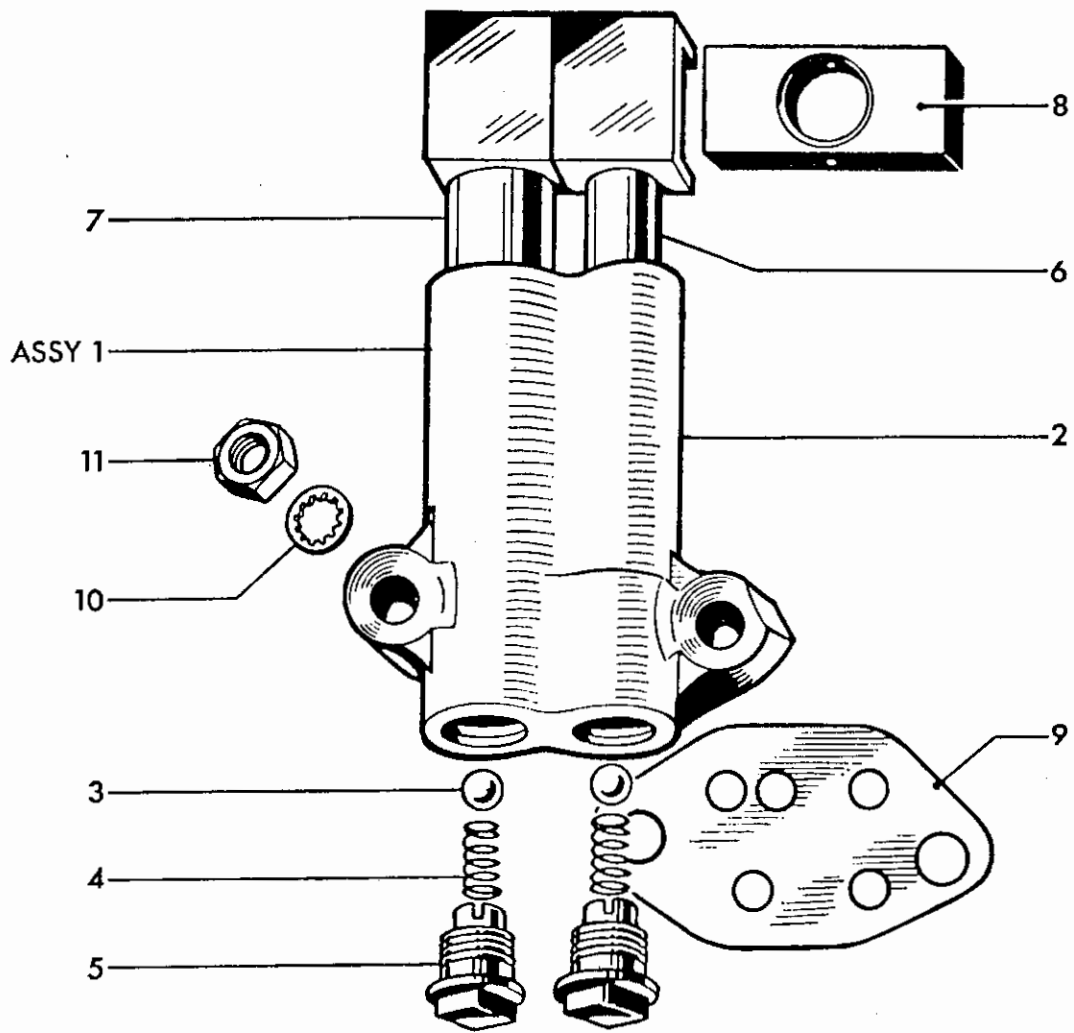


Fig. 3. OIL PUMP AND RELEASE VALVE

Ref. No.	Part No.	DESCRIPTION	QUANTITY	REMARKS
----------	----------	-------------	----------	---------

OIL PUMP AND RELEASE VALVE

1	E6928	OIL PUMP	1	
2	—	Pump body...		Reference only
3	S70-7	Valve ball	2	
4	E403	Valve spring	2	
5	E2360	Screwed plug	2	
6	GS153	Feed plunger	1	
7	E6681	Scavenge plunger	1	
8	E495	Drive block	1	
9	E3730	Joint washer	1	
10	E3887	Serrated washer	2	
11	S1906	Nut	2	
12	E6595	OIL RELEASE VALVE	1	
13	E7590	Valve body	1	
14	GS251	Piston	1	
15	E6596	Cap	1	
16	E8753	Fibre washer	1	
17	E7591	Main spring	1	
18	E1670	Fibre washer	1	

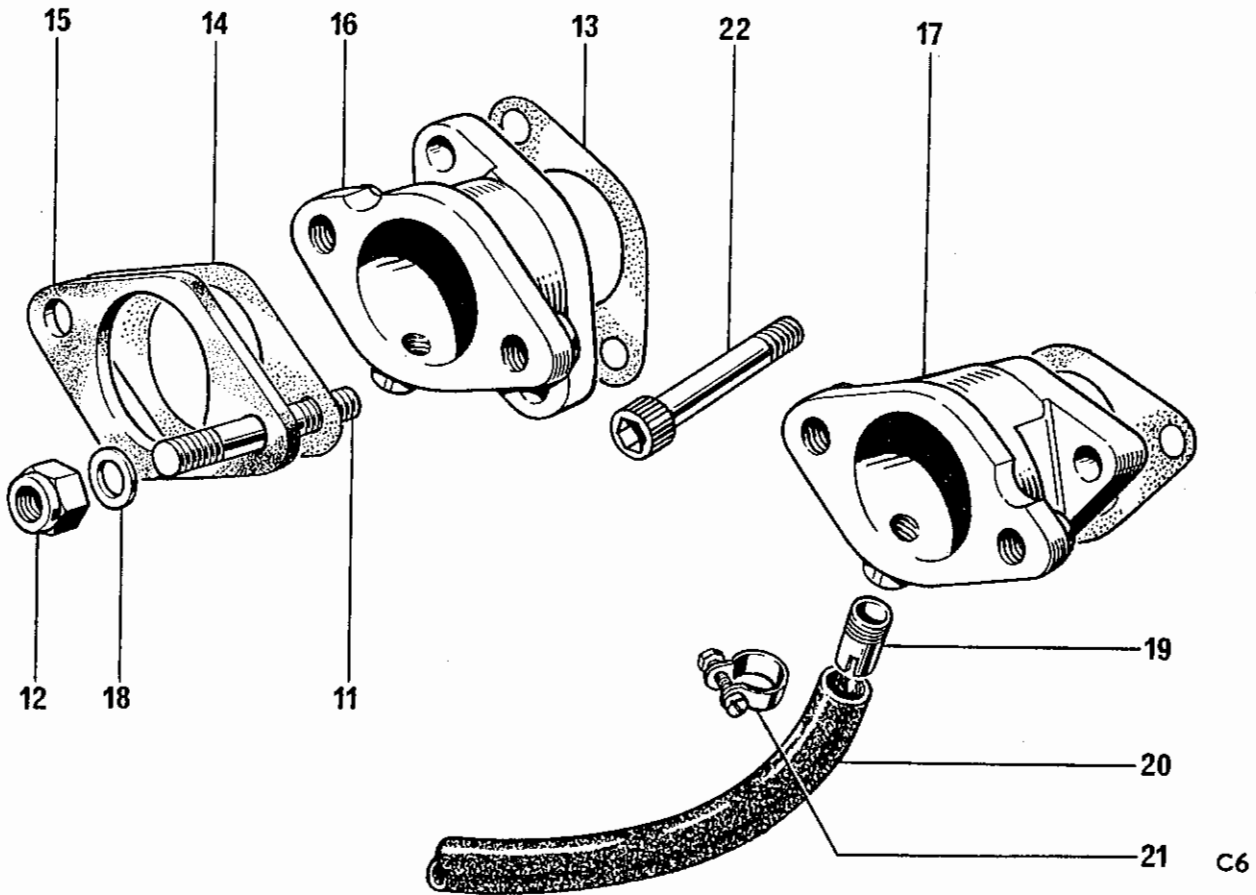
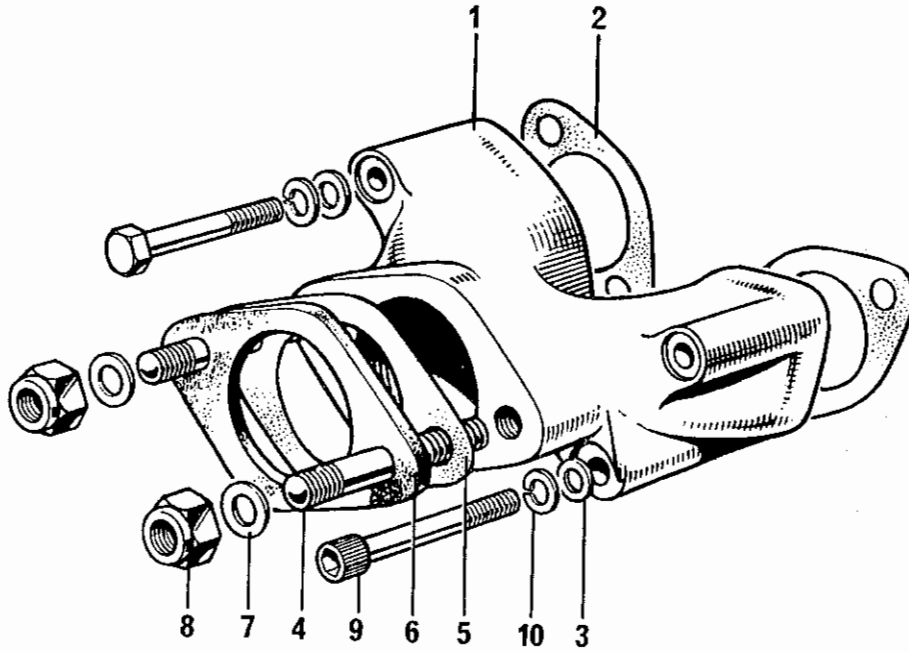


Fig. 4. INLET MANIFOLDS

Ref. No.	Part No.	DESCRIPTION	QUANTITY	REMARKS
----------	----------	-------------	----------	---------

INLET MANIFOLDS

Single Carburetor Model (T100C)

1	E7578	Inlet manifold	1	
2	E6772	Joint washer	2	
3	S25-3	Plain washer	4	
4	S582	Stud (1 $\frac{5}{16}$ in. O.A.)	2	
5	E8771	Joint washer	1	
6	E2968	Insulating block	1	
7	S25-3	Plain washer	2	
8	14-1302	Self locking nut	2	
9	14-7024	Socket head screw (2 in. U.H.)	2	
10	S648	Spring washer	4	

Twin Carburetor Model (T100R)

11	S582	Stud (1 $\frac{5}{16}$ in. U.H.)	4	
12	14-1302	Self locking nut	4	
13	E6772	Joint washer, manifold	2	
14	E8771	Joint washer, insulating block	2	
15	E2968	Insulating block	2	
16	E7136	Left manifold	1	
17	E7137	Right manifold	1	
18	S25-3	Plain washer	4	
19	E6916	Connector	2	
20	E6958	Balance pipe	1	
21	E5473	Clip	2	
22	14-7019	Socket head screw ($\frac{7}{8}$ in. U.H.)	4	

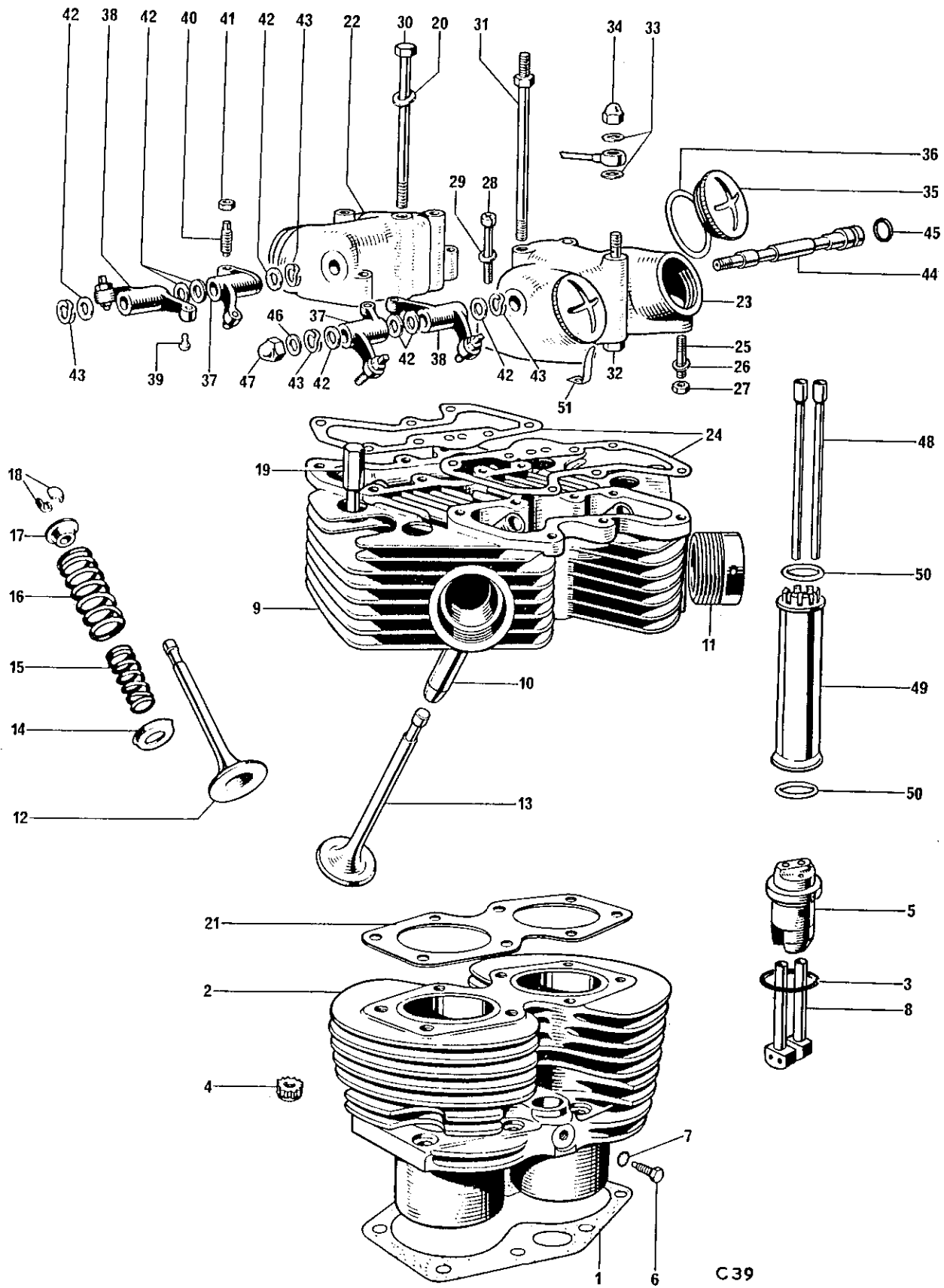


Fig. 6. CYLINDER BLOCK AND HEAD, T100C

CYLINDER BLOCK AND HEAD, T100C SINGLE CARBURETOR

1	E3798	Cylinder base gasket	1	
2	E9719	Cylinder block	1	
3	E7563	"O" ring	2	
4	S692	Nut (12 point)	8	
5	E9352	Tappet guide block	2	
6	H200	Tappet block screw ($\frac{7}{16}$ in. U.H.)	2	
7	E1612	Serrated washer	2	
8	E3753	Tappet	4	
9	E10277	CYLINDER HEAD c/w GUIDES	1	
10	E10229	Valve guide (cast iron)	4	
11	E9510	Exhaust pipe adaptor	2	
12	E6853	Inlet valve	2	
13	E6854	Exhaust valve	2	
14	E6855	Bottom Cup	4	
15	E5946	Inner valve spring	4	
16	E4011	Outer valve spring	4	
17	E3742	Top collar	4	
18	99-0062	Split cotter	8	
19	E4456	Cylinder head bolt (2 25/32 in. U.H.)	4	
20	F2184	Plain washer	8	
21	E4675	Cylinder head gasket	1	
22	E3745	Inlet rocker box	1	
23	E3744	Exhaust rocker box	1	
24	E9511	Joint washer	2	
25	E3858	Rocker box stud ($\frac{15}{16}$ in. O.A.)	4	
26	E3302	Plain washer	4	
27	F879	Nut	4	
28	14-6609	Screw ($\frac{15}{16}$ in. U.H.)	4	
29	E3857	Plain washer	4	
30	E3794	Cylinder head bolt (5 $\frac{7}{16}$ in. U.H.)	2	
31	E3795	Cylinder head torque stay bolt	2	
32	E3809	Oil feed bolt	2	
33	F1880	Copper washer	6	
34	H400	Domed nut	2	
35	E4610	Inspection cap	4	
36	E3751	Fibre washer	4	
37	E3749	ROCKER (right exhaust, left inlet)	2	
38	E3750	ROCKER (left exhaust, right inlet)	2	
39	E7651	Rocker ball pin	4	
40	E3223	Rocker adjusting pin	4	
41	GS662	Adjuster lock nut	4	
42	E2534	Thrust washer, $\frac{7}{16}$ in.	8	
43	E3224	Spring washer	4	
44	E3748	Rocker spindle	2	
45	E3253	Sealing rubber	2	
46	E1335	Copper washer	2	
47	E1435	Domed nut	2	
48	E4008	Push rod	4	
49	E9512	Cover tube	2	
50	E7310	"O" ring, push rod cover tube (bottom)	2	
50	E11283	"O" ring, push rod cover tube (top)	2	
51	E4671	Locking spring	4	

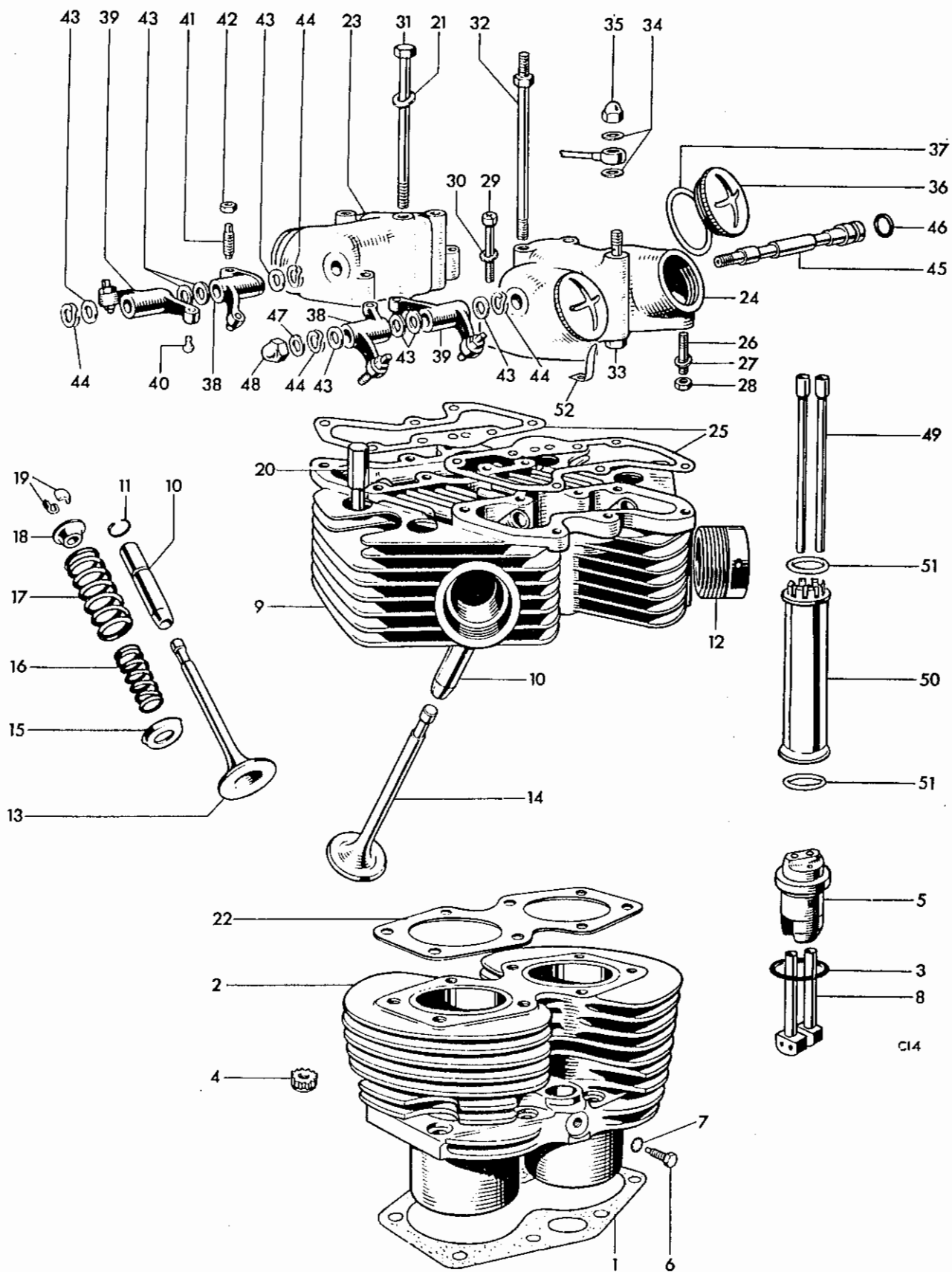


Fig. 7. CYLINDER BLOCK AND HEAD, T100R

Ref. No.	Part No.	DESCRIPTION	QUANTITY	REMARKS
CYLINDER BLOCK AND HEAD, T100R, TWIN CARBURETOR				
1	E3798	Cylinder base gasket	1	
2	E9719	Cylinder block	1	
3	E7563	"O" ring	2	
4	S692	Nut (12 point)	8	
5	E9352	Tappet guide block	2	
6	H200	Tappet block screw ($\frac{7}{16}$ in. U.H.)	2	
7	E1612	Serrated washer	2	
8	E4040	Tappet, Racing type	4	
9	E9507	CYLINDER HEAD c/w GUIDES	1	
10	E6301	Valve guide	4	
11	E3209	Valve guide circlip	4	
12	E9510	Exhaust pipe adaptor	2	
13	E6853	Inlet valve	2	
14	E6854	Exhaust valve	2	
15	E6855	Bottom cup	4	
16	E5946	Inner valve spring	4	
17	E4011	Outer valve spring	4	
18	E3742	Top collar	4	
19	99-0062	Split cotter	8	
20	E4456	Cylinder head bolt ($2\frac{25}{32}$ in. U.H.)	4	
21	F2184	Plain washer	8	
22	E4675	Cylinder head gasket	1	
23	E3745	Inlet rocker box	1	
24	E3744	Exhaust rocker box	1	
25	E9511	Joint washer	2	
26	E3858	Rocker box stud ($\frac{15}{16}$ in. O.A.)	4	
27	E3302	Plain washer	4	
28	F879	Nut	4	
29	E3668	Screw ($1\frac{1}{4}$ in. U.H.)	4	
30	E3857	Plain washer	4	
31	E3794	Cylinder head bolt ($5\frac{7}{16}$ in. U.H.)	2	
32	E3795	Cylinder head torque stay bolt	2	
33	E3809	Oil feed bolt	2	
34	F1880	Copper washer	6	
35	H400	Domed nut	2	
36	E4610	Inspection cap	4	
37	E3751	Fibre washer	4	
38	E3749	ROCKER (right exhaust, left inlet)	2	
39	E3750	ROCKER (left exhaust, right inlet)	2	
40	E7651	Rocker ball pin	4	
41	E3223	Rocker adjusting pin	4	
42	GS662	Adjuster lock nut	4	
43	E2534	Thrust washer, $\frac{7}{16}$ in.	6	
44	E3224	Spring washer	2	
45	E3748	Rocker spindle	2	
46	E3253	"O" ring	2	
47	E1335	Copper washer	2	
48	E1435	Domed nut	2	
49	E4008	Push rod	4	
50	E9512	Cover tube	2	
51	E7310	"O" ring, push rod cover tube (bottom)	2	
51	E11283	"O" ring, push rod cover tube (top)	2	
52	E4671	Locking spring	4	

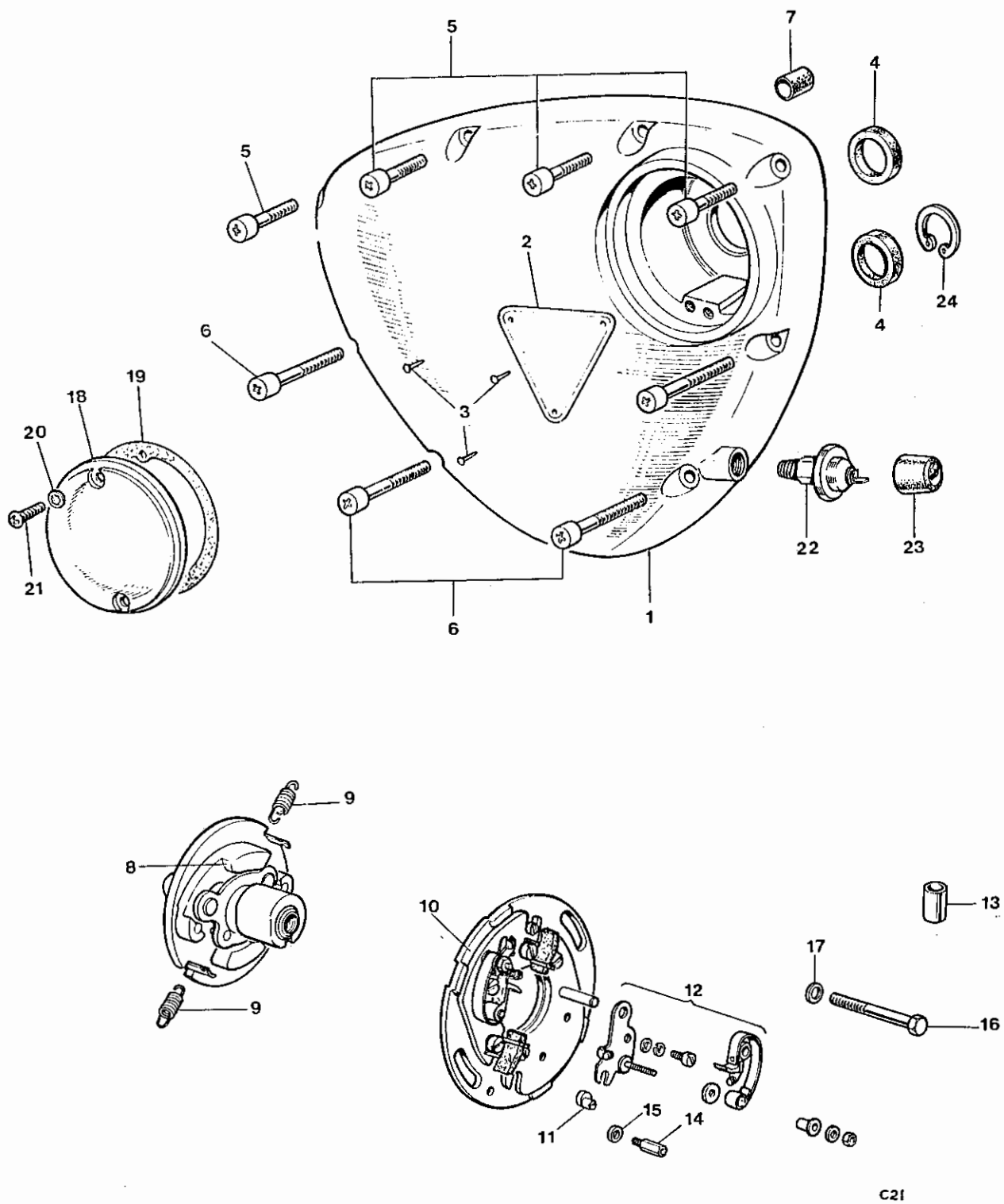


Fig. 8. TIMING COVER AND CONTACT BREAKER

Ref. No.	Part No.	DESCRIPTION	QUANTITY	REMARKS
----------	----------	-------------	----------	---------

TIMING COVER AND CONTACT BREAKER

1	E9250	Timing cover	1	
2	D1802	Patent plate	1	
3	D2085	Hammer-drive screw	3	
4	E4568	Oil seal	2	
5	14-6607	Screw ($\frac{7}{8}$ in. U.H.)	4	
6	S1916	Screw ($1\frac{1}{8}$ in. U.H.)	4	
7	T989	Hollow dowel	1	
8	54419340	AUTO-ADVANCE UNIT (99-0771)	1	
9	54415642	Spring set (99-0757)	2	
10	54419097	CONTACT BREAKER PLATE ASSEMBLY (D2244)	1	
11	54419220	Pin adjustment (99-0769)	2	
12	54419827	Contact set (99-0772)	2	
13	E4707	Rubber grommet	1	
14	E7680	Pillar bolt	2	
15	E6559	Washer	2	
16	14-0208	Bolt ($2\frac{1}{8}$ in. U.H.)	1	
17	S25-43	Washer	1	
18	E8737	Cover	1	
19	E5049	Joint washer	1	
20	GS299	Serrated washer	2	
21	E7354	Screw	2	
22	D2133	Oil pressure switch	1	
23	D2045	Cover pressure switch	1	
24	E4569	Circlip	1	
Not illus.	E4849	Dowel pin, auto advance to camshaft	1	
Not illus.	D2138	Timing label for C.B. cover	1	
Not illus.	E9526	Blanking plug (to replace oil pressure switch)	Available	

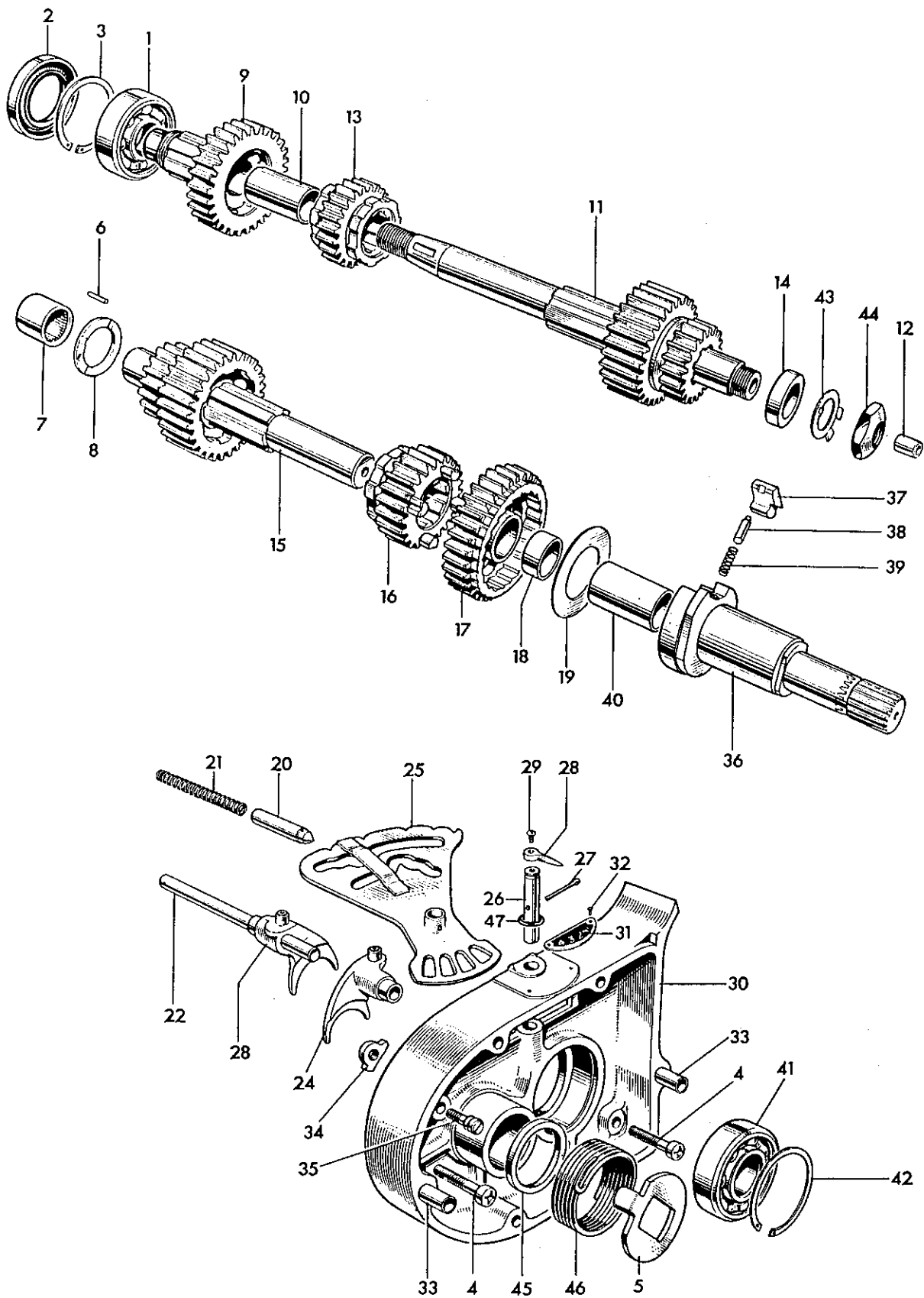


Fig. 9. GEARBOX SHAFTS, BEARINGS AND INNER COVER

Ref. No.	Part No.	DESCRIPTION	QUANTITY	REMARKS
GEARBOX SHAFTS, BEARINGS AND INNER COVER				
1	T665	High gear bearing (ball journal)	1	
2	T1478	Oil seal	1	
3	W680	Circlip	1	
4	14-6608	Screw (1 in. U.H.)	2	
5	T1422	Return spring plate	1	
6	T912	Peg	1	
7	T1606	Layshaft bearing	1	
8	T1607	Thrust washer	1	
9	T3991	MAINSHAFT HIGH GEAR (22T)	1	} T100R and West Coast T100C
10	T1405	High gear bush	1	
11	T4039	MAINSHAFT c/w THIRD AND LOW GEARS (16/24T)	1	
12	T1391	Clutch rod bush	1	
13	T3994	Mainshaft second gear (21T)	1	
14	T1411	Mainshaft distance piece	1	
15	T4041	Layshaft c/w second and high gears (15/23T)	1	
16	T3997	Layshaft third gear (20T)	1	
17	T3999	LAYSHAFT LOW GEAR (27T)	1	
18	T1393	Low gear bush	1	
19	T1426	Pawl retaining disc	1	
20	T3660	Camplate index plunger	1	
21	T3661	Index plunger spring	1	
22	T1457	Selector fork spindle	1	
23	T1480	Mainshaft selector fork	1	
24	T1481	Layshaft selector fork	1	
25	T1768	Gear selector camplate	1	
26	T1418	Camplate spindle	1	
27	—	Split pin ($\frac{1}{8}$ in. x $\frac{3}{4}$ in.)	1	Reference only
28	T1416	Gear indicator pointer	1	
29	H688	Screw ($\frac{5}{16}$ in. U.H.)	1	
30	T3754	Inner cover	1	
31	T1417	Gear indicator plate	1	
32	D208-5	Indicator plate rivet	2	
33	T1440	Hollow dowel	2	
34	T1157	Kickstarter stop plate	1	
35	T1390	Stop plate and anchor screw	1	
36	T1981	KICKSTARTER SPINDLE	1	
37	T1431	Kickstarter pawl	1	
38	T1282	Plunger	1	
39	T1161	Plunger spring	1	
40	T1897	Needle roller bearing	1	
41	T1469	Mainshaft bearing (Ball journal)	1	
42	T280	Circlip	1	
43	T732	Tab washer	1	
44	S594	Mainshaft nut	1	
45	T1464	Distance piece	1	
46	T1441	Kickstarter return spring	1	
47	E4803	"O" ring	1	

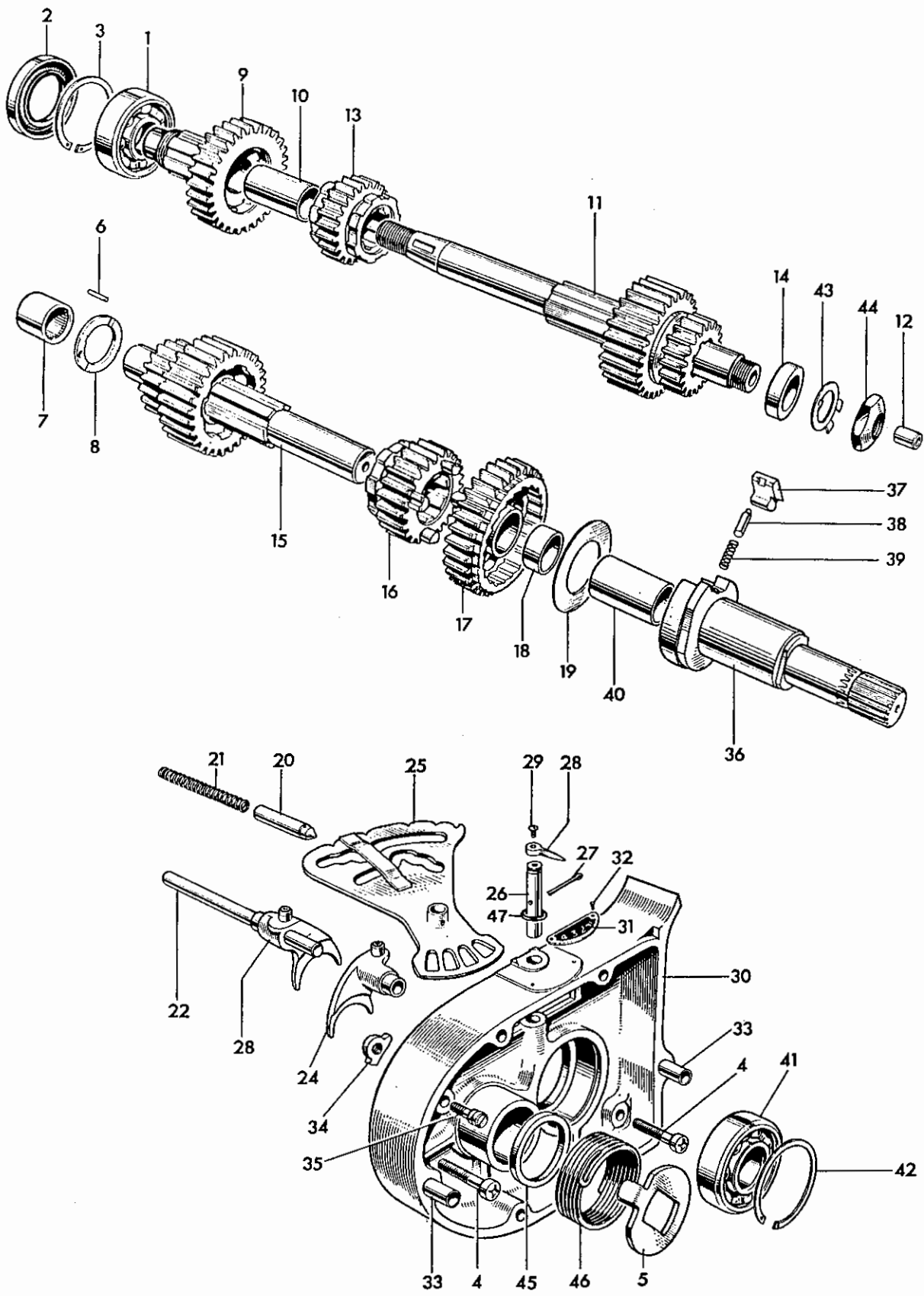


Fig. 9. GEARBOX SHAFTS, BEARINGS AND INNER COVER

Ref. No.	Part No.	DESCRIPTION	QUANTITY	REMARKS
----------	----------	-------------	----------	---------

WIDE RATIO GEARS

Standard on East Coast T100C

9	T4029	MAINSHAFT HIGH GEAR (23T)	1	
11	T4040	MAINSHAFT c/w THIRD AND LOW GEAR (15/24T) ...	1	
13	T4031	Mainshaft second gear (20T)	1	
15	T4042	Layshaft c/w second and high gear (14/24T)	1	
16	T1839	Layshaft third gear (20T)	1	
17	T4033	LAYSHAFT LOW GEAR (29T)	1	

CLOSE RATIO GEARS

(Available if required)

9	T2532	MAINSHAFT HIGH GEAR (20T)	1	
11	T2276	MAINSHAFT c/w THIRD AND LOW GEAR (16/22T) ...	1	
13	T1832	Mainshaft second gear (20T)	1	
15	T1972	Layshaft c/w second and high gear (17/23T)	1	
16	T1842	Layshaft third gear (21T)	1	
17	T1950	LAYSHAFT LOW GEAR (27T)	1	

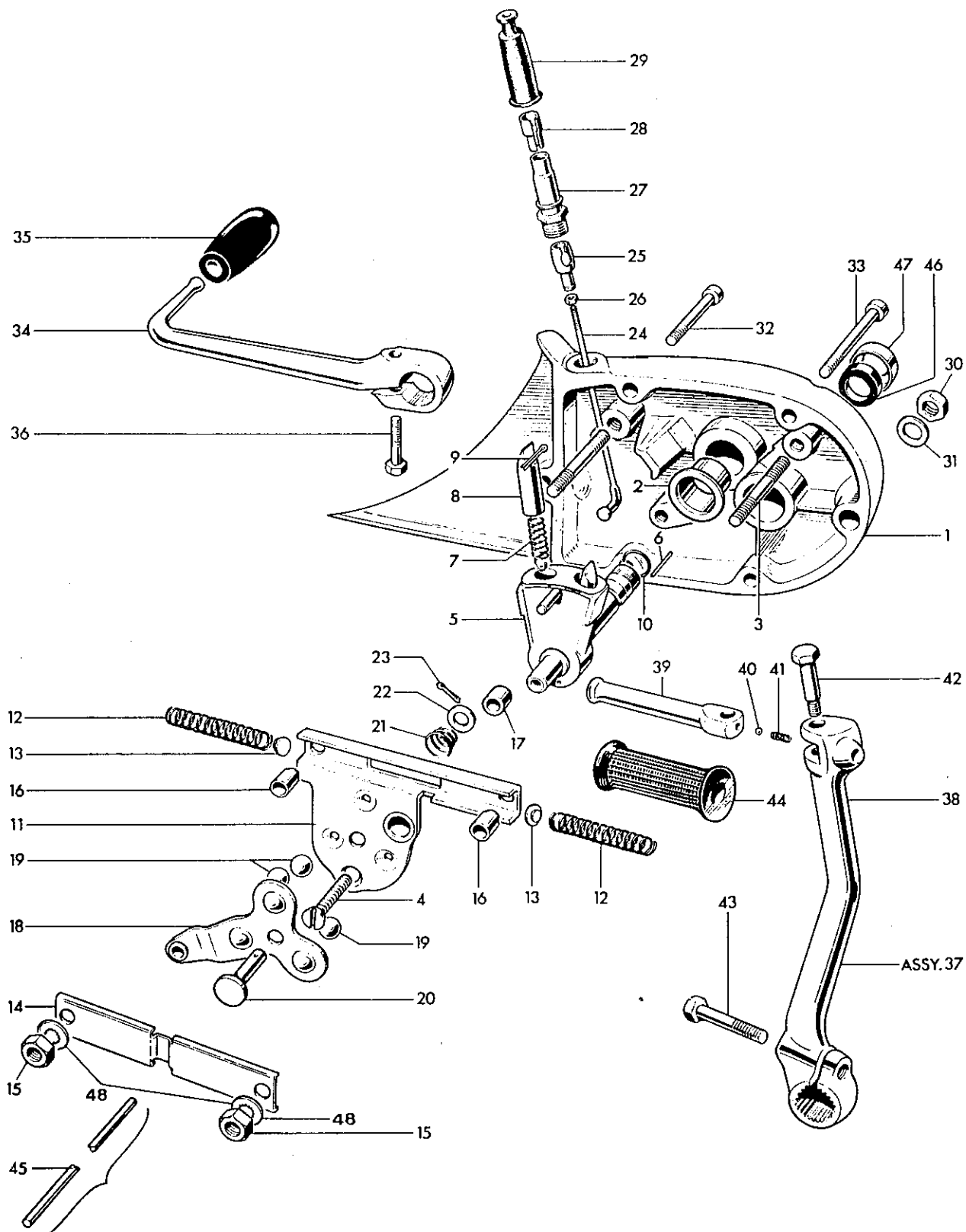


Fig. 10. GEARBOX OUTER COVER AND LEVERS

Ref. No.	Part No.	DESCRIPTION	QUANTITY	REMARKS
GEARBOX OUTER COVER AND LEVERS				
1	T3755	GEARBOX OUTER COVER	1	
2	T1395	Gearchange spindle bush...	1	
3	S1928	Stud (1 $\frac{5}{16}$ in. O.A.)	2	
4	14-6505	Screw ($\frac{7}{8}$ in. O.A.)	1	
5	T1942	GEARCHANGE QUADRANT	1	
6	T1474	Spring retaining pin	2	
7	T1436	Plunger spring	2	
8	T1396	Selector plunger	2	
9	—	Split pin ($\frac{5}{64}$ in. x $\frac{3}{4}$ in.)		Reference only
10	E3309	Sealing ring	1	
11	T1871	Return spring housing	1	
12	T1877	Return spring	2	
13	T1878	Thrust button	2	
14	T1977	Cover	1	
15	S1877	Nut	2	
16	T1876	Distance piece	2	
17	T1874	Distance piece	1	
18	T1880	Clutch lever	1	
19	T1771	Ball, $\frac{3}{8}$ in. diam.	3	
20	T1710	Shaft	1	
21	T1712	Spring	1	
22	GS127	Plain washer	1	
23	—	Split pin ($\frac{5}{64}$ in. x $\frac{1}{2}$ in.)		Reference only
24	T1945	Spoke	1	
25	T1946	Connector	1	
26	T1937	Nut	1	
27	T3784	Abutment	1	
28	T2062	Adaptor, short		As required
28	T2063	Adaptor, long (For cable with short outer cover)		As required
29	T1646	Rubber cover	1	
30	14-0302	Nut	2	
31	S25-3	Plain washer	2	
32	S1918	Screw (2 $\frac{3}{8}$ in. U.H.)	2	
33	S1917	Screw (2 $\frac{5}{8}$ in. U.H.)	2	
34	T1435	Gearchange lever	1	
35	T2450	Pedal rubber	1	
36	W932	Bolt (1 in. U.H.)	1	
37	T3797	KICKSTARTER LEVER COMPLETE	1	
38	T3742	Kickstarter crank	1	
39	T1272	Kickstarter pedal	1	
40	S70-3	Steel ball ($\frac{1}{4}$ in. diam.)	1	
41	T1167	Index spring	1	
42	S541	Pivot bolt	1	
43	S644	Clamp bolt (1 $\frac{5}{16}$ in. U.H.)	1	
44	T2330	Pedal rubber	1	
45	T1970	Clutch operating rod	1	
46	T2239	Oil seal	1	
47	T2238	Oil seal cover	1	
48	E1612	Serrated washer	2	

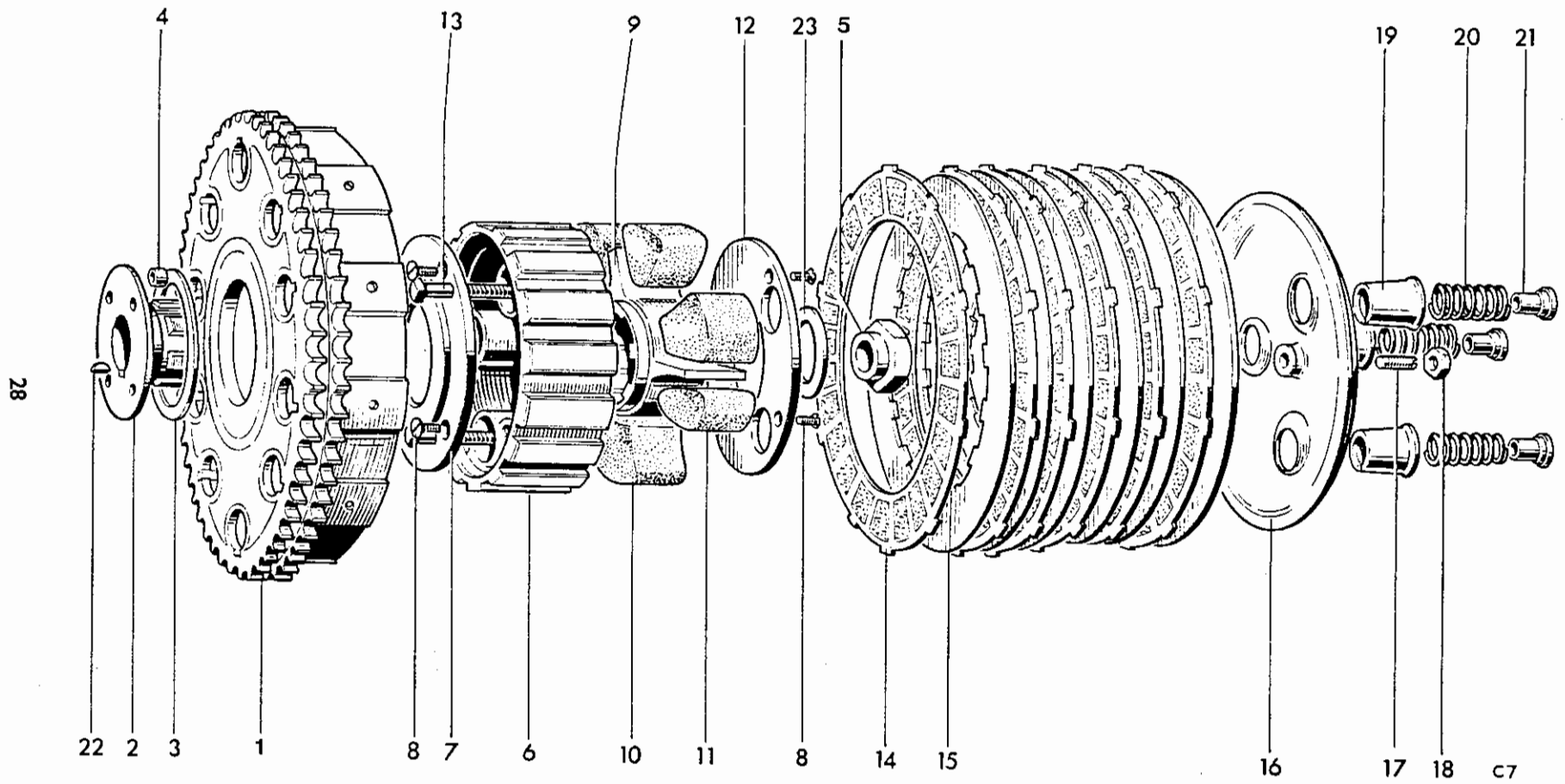


Fig. 11. CLUTCH

Ref. No.	Part No.	DESCRIPTION	QUANTITY	REMARKS
----------	----------	-------------	----------	---------

CLUTCH

1	T1570	Sprocket and housing	1	
2	T3930	Hub	1	
3	T3931	Thrust washer	1	
4	T394	Roller	20	
5	S586	Nut	1	
6	T1719	Centre (Shock absorber body)	1	
7	T1720	Inner plate	1	
8	T1040	Countersunk screw (0.417 in. U.H.)	6	
9	T2538	Shock absorber spider	1	
10	T1722	Drive rubber (large)	3	
11	T1723	Rebound rubber (small)	3	
12	T1724	Outer plate	1	
13	T423A	Screwed pin ($1\frac{1}{32}$ in. U.H.)	3	
14	T1362	Driving plate (bonded)	6	
15	T1363	Driven plate (plain)	6	
16	T2156	Pressure plate	1	
17	T2159	Adjuster pin	1	
18	14-0403	Nut	1	
19	T1931	Spring cup	3	
20	T1560	Spring	3	
21	T2526	Nut	3	
22	S66-1	Key	1	
23	T2279	Washer	1	

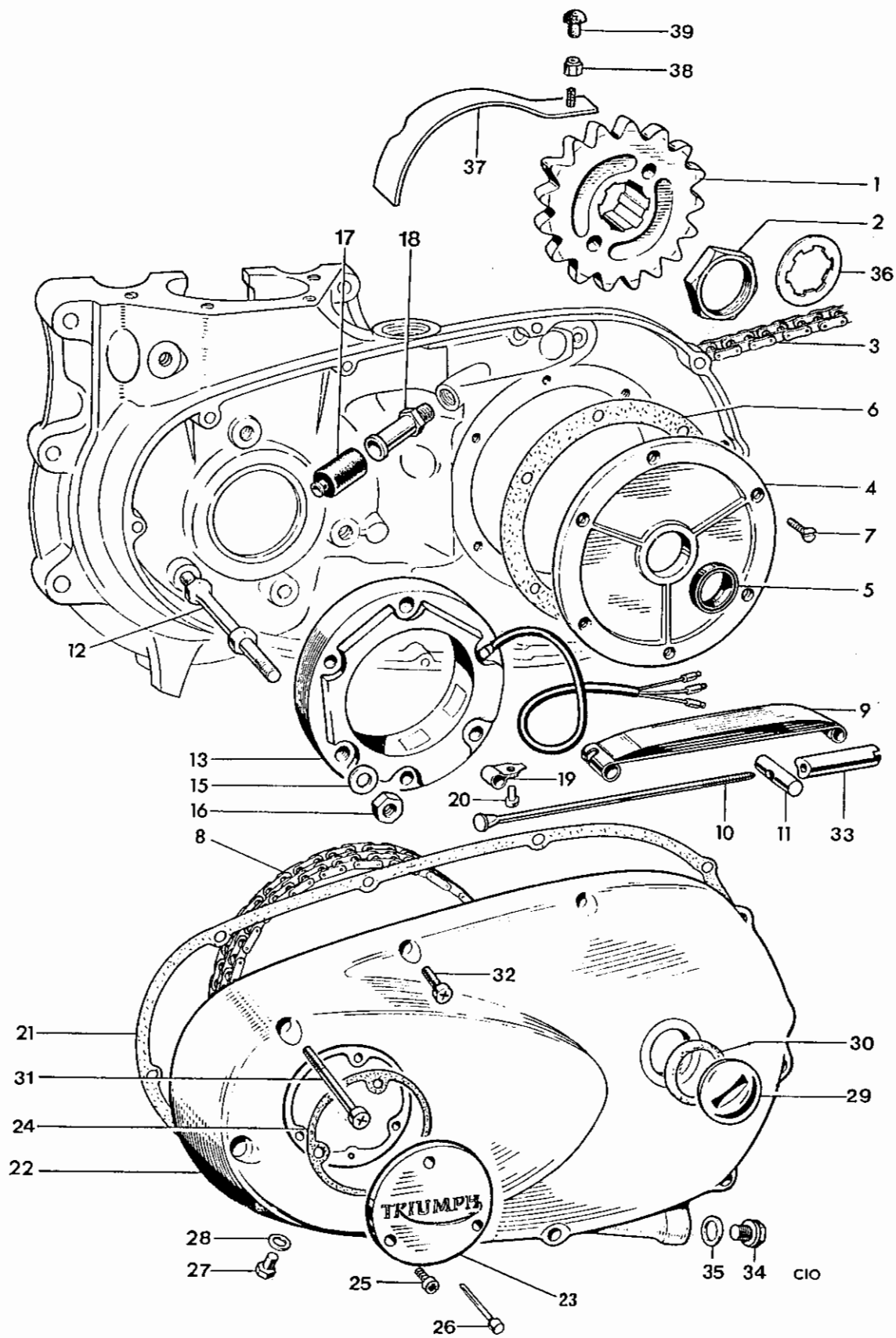


Fig. 12. CHAINCASE AND CHAINS

Ref. No.	Part No.	DESCRIPTION	QUANTITY	REMARKS
----------	----------	-------------	----------	---------

CHAINCASE AND CHAINS

1	T1476	Gearbox sprocket (18 teeth) ...	1	
1	T1476/19	Gearbox sprocket (19 teeth) ...	Available	
1	T1569	Gearbox sprocket (20 teeth) ...	Available	
2	T2536	Gearbox sprocket nut	1	
3	D444	Rear chain, $\frac{5}{8}$ in. x $\frac{3}{8}$ in. x 102L	1	
4	E7037	Cover plate ...	1	
5	E7565	Oil seal ...	1	
6	E3832	Joint washer ...	1	
7	E3821	Countersunk screw ($\frac{5}{16}$ in. U.H.)	6	
8	D358	Primary chain, $\frac{3}{8}$ in. Duplex 78L	1	
9	E6283	Chain tensioner blade ...	1	
10	E4152	Tie rod ...	1	
11	E4148	Trunnion ...	1	
12	E9495	Stud ($3\frac{5}{16}$ in. O.A.)	3	
13	47205	Stator, RM 21 (99-1006)	1	
14	E1612	Serrated washer	1	
15	S25-3	Plain washer ...	3	
16	14-0702	Nut ...	3	
17	E4144	Rubber grommet	2	
18	E8992	Sleeve nut ...	1	
19	E1509	Clip ...	1	
20	S1920	Setscrew ($\frac{1}{4}$ in. U.H.)	1	
21	E4156	Joint washer ...	1	
22	E9249	Chaincase ...	1	
23	T2440	Rotor cover ...	1	
24	T2442	Joint washer ...	1	
25	14-6505	Screw ...	3	
26	T2537	Ignition pointer...	1	
27	14-6101	Level plug ...	1	
28	E2441	Copper washer ...	2	
29	T2166	Filler plug ...	1	
30	E8782	"O" ring ...	1	
31	S1878	Screw ($2\frac{3}{4}$ in. U.H.)	3	
32	14-6609	Screw ($1\frac{5}{16}$ in. U.H.)	7	
33	E9703	Adjuster sleeve nut	1	
34	T2259	Drain plug ...	1	
35	T1738	Fibre washer ...	1	
36	T20S6	Tab washer ...	1	
37	E7571	Crankcase protector	1	
38	14-1301	Self-locking nut	1	
39	E7573	Grommet ...	1	

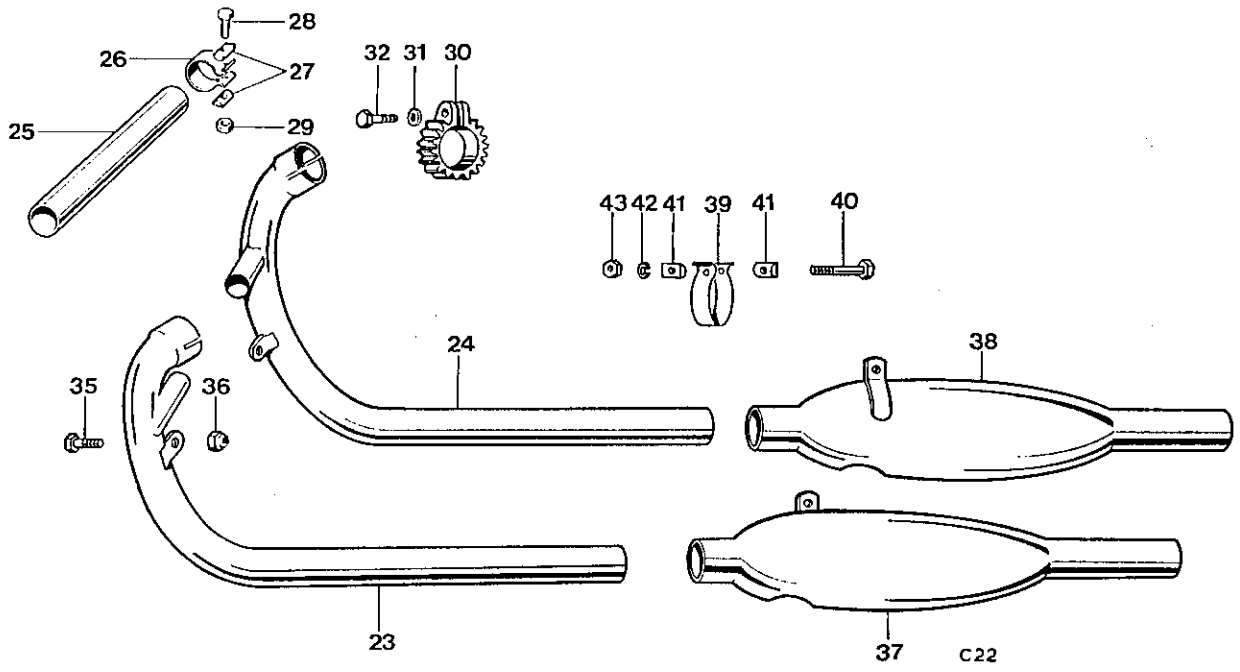
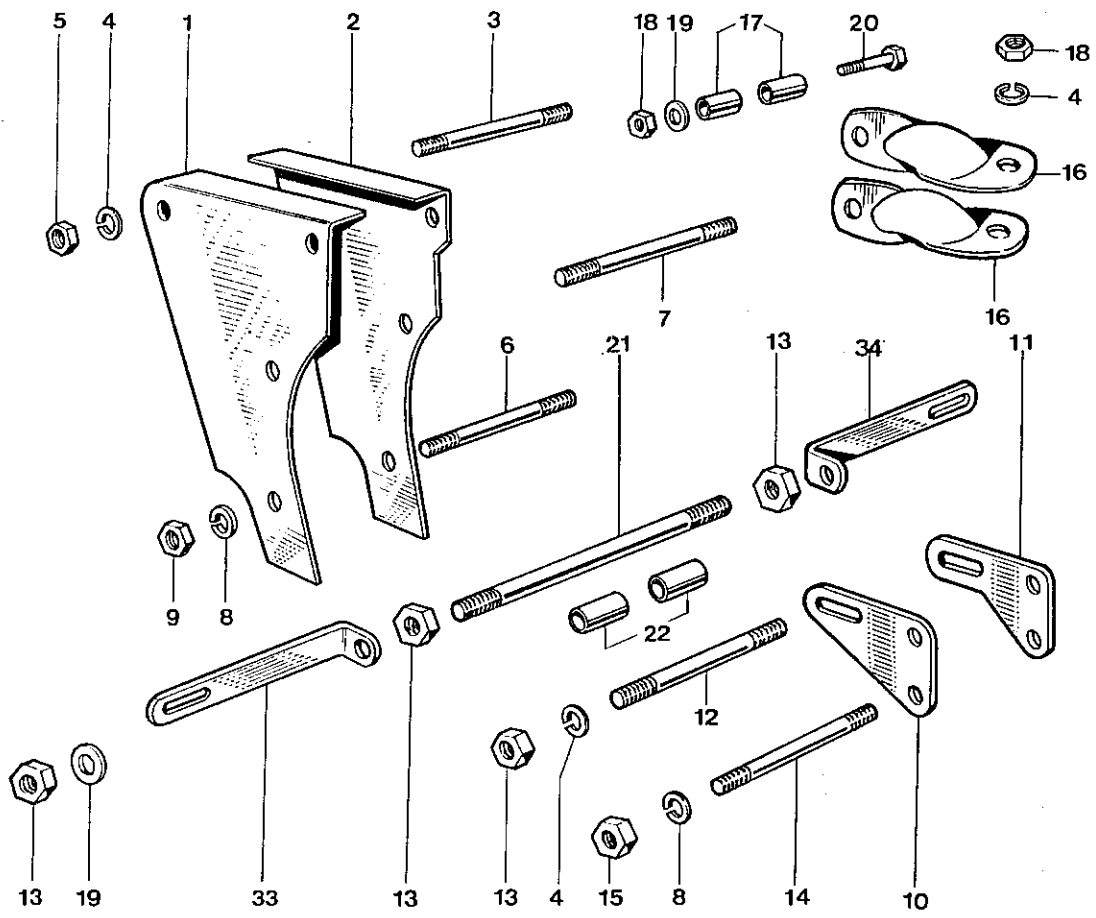


Fig. 13. ENGINE FITTINGS AND EXHAUST SYSTEM

MOTOR FITTINGS AND EXHAUST SYSTEM

1	F7333	Left front engine plate...	1	
2	F7334	Right front engine plate	1	
3	S2007	Stud (3¼ in. O.A.)	1	
4	S26-1	Spring washer	8	
5	14-0303	Nut	2	
6	S2006	Stud (3⅝ in. O.A.)	2	(3 T100C)
7	S2005	Stud (4 in. O.A.)	1	(Not T100C)
8	S26-3	Spring washer	8	
9	14-0302	Nut	3	
10	F4229	Left rear engine plate	1	
11	F4230	Right rear engine plate	1	
12	S2008	Stud (4¼ in. O.A.)	1	
13	14-0303	Nut	6	
14	S2009	Stud (4⅝ in. O.A.)	2	
15	140-302	Nut	5	
16	E4778	Torque stay	2	
17	E7119	Distance piece	1	
18	14-0302	Nut	2	
19	F5532	Plain washer	2	
20	14-0220	Bolt (1⅞ in. U.H.)	1	
21	S2004	Stud (7⅜ in. O.A.)	1	
22	F4197	Distance piece	2	
23	E9662	Left exhaust pipe	1	
24	E9663	Right exhaust pipe	1	
25	E9888	Coupling pipe	1	
26	E7512	Clip	2	
27	E3768	"D" washers	4	
28	14-0219	Bolt	2	
29	14-0302	Nut	2	
30	E4947	Finned clip	2	
31	E410A	Hemispherical washer	2	
32	E409	Bolt (1⅞ in. U.H.)	2	
33	E7641	Left bracket	1	
34	E7642	Right bracket	1	
35	E6179	Bolt (⅝ in. U.H.)	2	
36	E7471	Self-lock nut	2	
37	E4157	Left muffler	1	} T100R
38	E4158	Right muffler	1	
39	E2271	Clip	2	
40	14-0219	Bolt (1⅞ in. U.H.)	2	
41	E3768	"D" washer	4	
42	S26-3	Spring washer	2	
43	S1908	Nut	2	

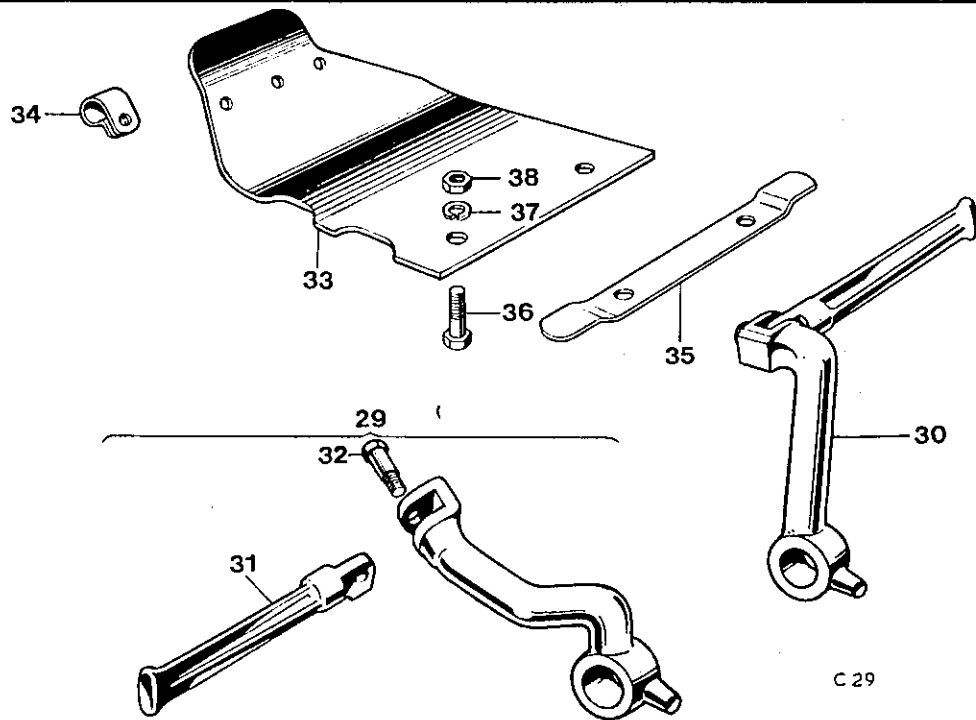
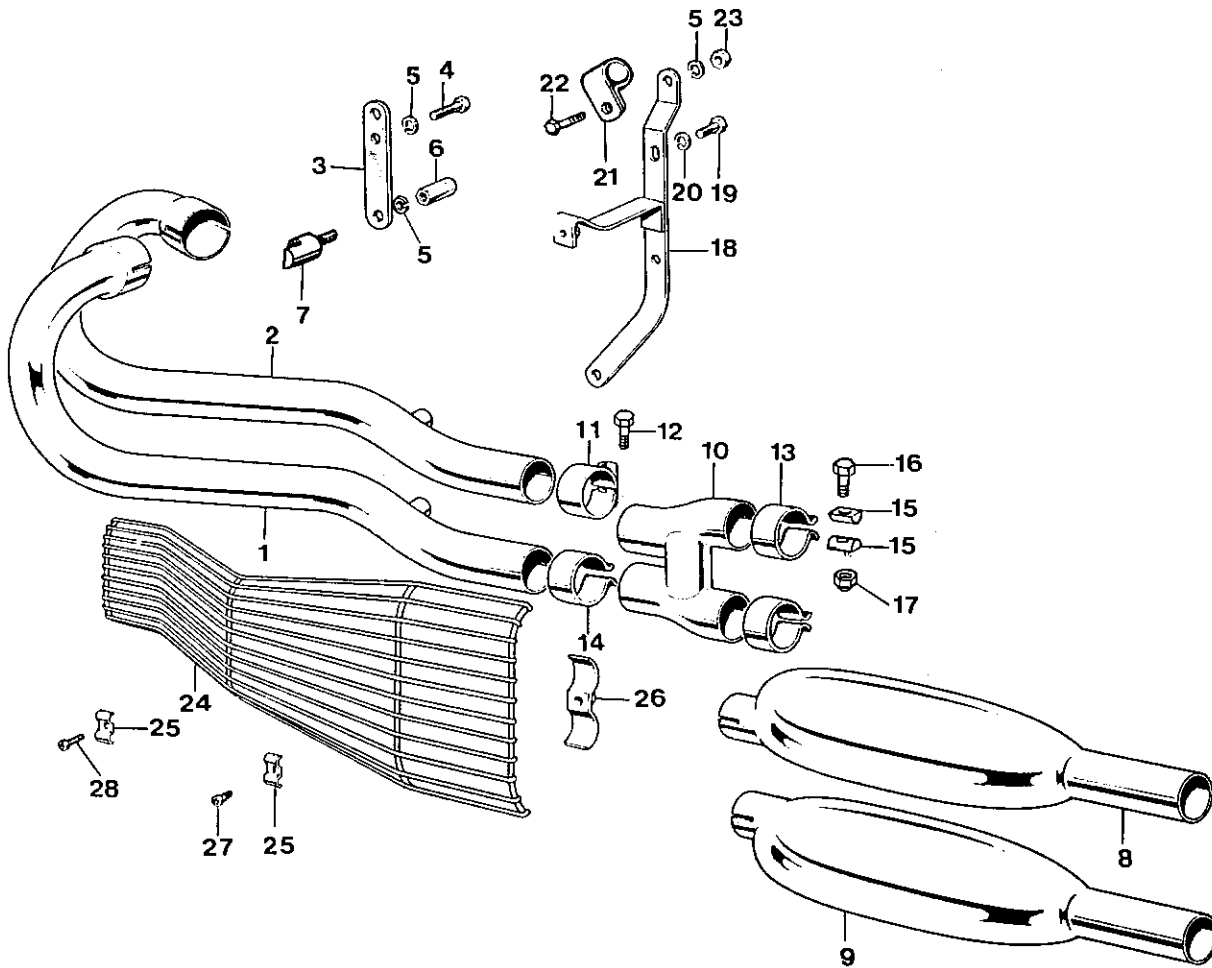


Fig. 14. EXHAUST PIPES, UNDERSHIELD AND FOOTPEGS (T100C)

Ref. No.	Part No.	DESCRIPTION	QUANTITY	REMARKS
----------	----------	-------------	----------	---------

EXHAUST PIPES, UNDERSHIELD AND FOOTPEG (T100C)

1	E10019	Exhaust pipe D.S. lower	1	
2	E10017	Exhaust pipe T.S. upper	1	
3	E6981	Stay	1	
4	14-0114	Bolt ($\frac{3}{4}$ in. U.H.)	2	
5	S26-3	Washer	3	
6	14-0302	Nut	1	
7	F7705	Abutment	1	
8	E9669	Silencer upper	1	
9	E9670	Silencer lower	1	
10	E9673	Connector	1	
11	E7299	Clip	1	
12	14-0116	Bolt	1	
13	E2271	Clip	2	
14	E5874	Clip	1	
15	E3768	"D" washer	6	
16	14-0219	Bolt	3	
17	S1908	Nut	3	
18	E9691	Bracket (silencer to frame)	1	
19	F929	Bolt	1	
20	S26-3	Spring washer	2	
21	F7550	Clip, bracket to frame	1	
22	14-0114	Bolt, clip to bracket ($\frac{3}{4}$ in. U.H.)	1	
23	14-0302	Nut	1	
24	E9680	Leg guard	1	
25	E9688	Clip	2	
26	E9696	Bracket	1	
27	S1954	Short screw	1	
28	S1953	Long screw ($1\frac{1}{4}$ in. U.H.)	1	
29	F11590	LEFT FOLDING FOOTPEG	1	
30	F11591	RIGHT FOLDING FOOTPEG	1	
31	F6411	Pedal	2	
32	S1971	Pivot bolt	2	
33	F11279	Undershield	1	
34	F1700	Clip, undershield	2	
35	F3078	Bracket	1	
36	14-0102	Bolt ($\frac{5}{8}$ in. U.H.)	4	
37	S16-2	Washer	4	
38	14-0301	Nut	4	
Not illus.	E9857	Washer (for lines 27 and 28)	2	

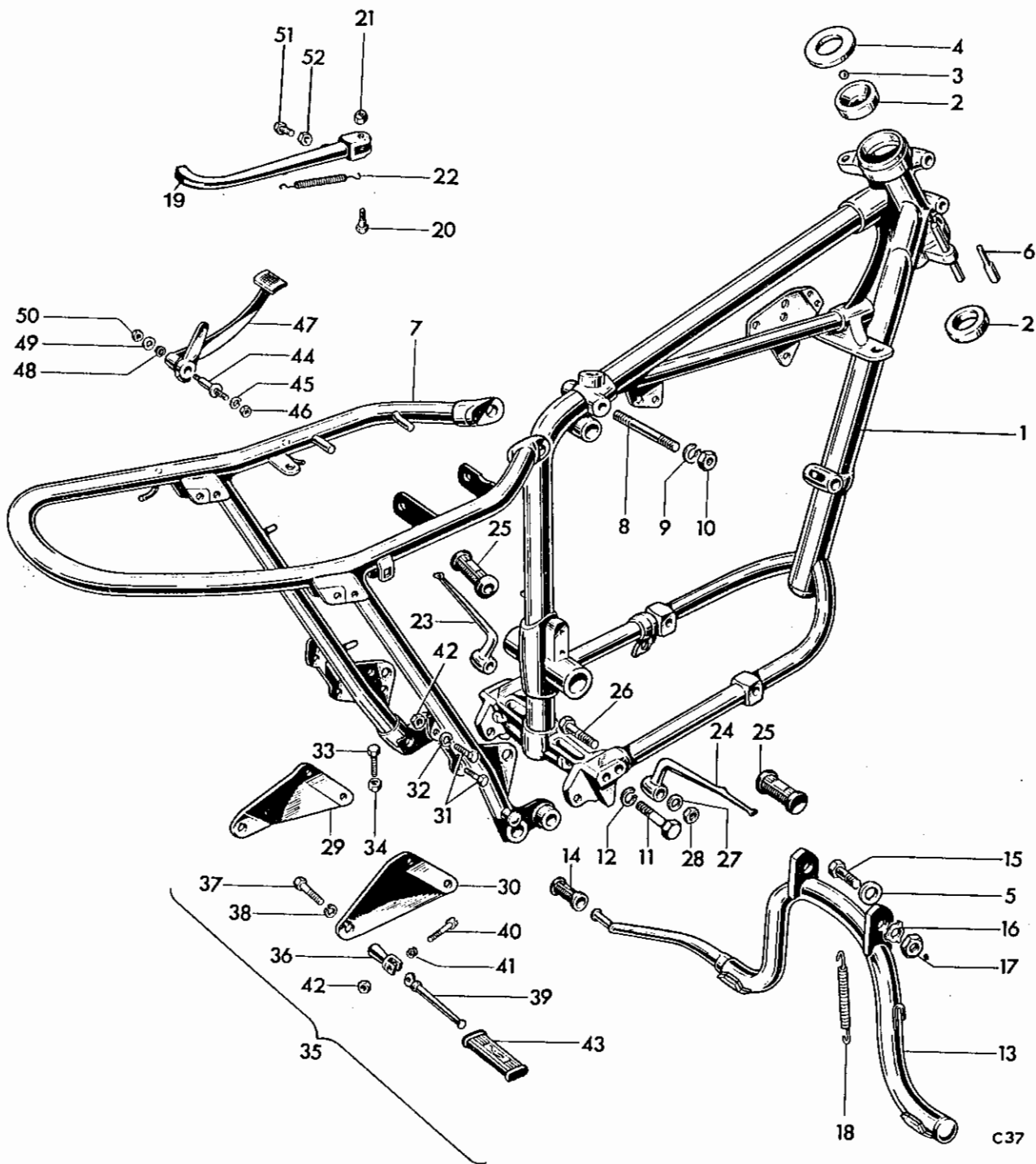


Fig. 15. FRAME

Ref. No.	Part No.	DESCRIPTION	QUANTITY	REMARKS
FRAME				
1	F10034	Front frame	1	
2	H111	Steering race cup	2	
3	S70-3	Steel ball ($\frac{1}{4}$ in. dia.)	40	
4	H1018	Top cone and dust cover	1	
5	F5679	Washer	2	T100R only
6	F7155	Steering stops	2	
7	F8038	Rear frame	1	
8	S1801	Stud ($3\frac{7}{8}$ in. O.A.)	1	
9	S25-2	Spring washer	2	
10	14-1303	Nut	2	
11	14-0115	Bolt	2	
12	99-0046	Spring washer	2	
13	F7693	Centre stand	1	} T100R only
14	T2331	Pedal rubber	1	
15	F5678	Pivot bolt	2	
16	F4484	Tab washer	2	
17	F2725	Nut	2	
18	F3617	Return spring	1	
19	F11560	Prop stand	1	
20	F7021	Pivot bolt	1	
21	14-0703	Self-locking nut	1	
22	F8382	Return spring	1	
23	F4214	Left footrest	1	
24	F4215	Right footrest	1	
25	NF704	Pedal rubber	2	
26	14-0251	Bolt ($2\frac{1}{8}$ in. U.H.)	2	
27	F4370	Plain washer	2	
28	14-1304	Nut	2	
29	F5087	Left pillion footrest support	1	
30	F5088	Right pillion footrest support	1	
31	14-0115	Bolt ($3\frac{7}{8}$ in. U.H.)	4	
32	S26-3	Spring washer	4	
33	F7705	Pedal stop screw	1	
34	14-0302	Nut	2	
35	F9369	PILLION FOOTREST	2	
36	F9370	Footrest hanger	2	
37	S1910	Bolt ($1\frac{3}{8}$ in. U.H.)	2	
38	S26-1	Spring washer	2	
39	F1694	Pedal	2	
40	F9371	Pivot bolt	2	
41	F2277	Spring washer	2	
42	14-0302	Nut	6	
43	F1695	Pedal rubber	2	
44	F7706	Brake pedal spindle	1	
45	99-0050	Spring washer	1	
46	14-0405	Nut	1	
47	F7703	Brake pedal	1	
48	S26-16	Spring washer	1	
49	S25-2	Plain washer	1	
50	14-0403	Nut	1	
51	14-0216	Bolt ($1\frac{1}{8}$ in. U.H.)	1	
52	14-0402	Nut	1	
Not illus.	D2452	Transfer, 'Safety Standards'	1	

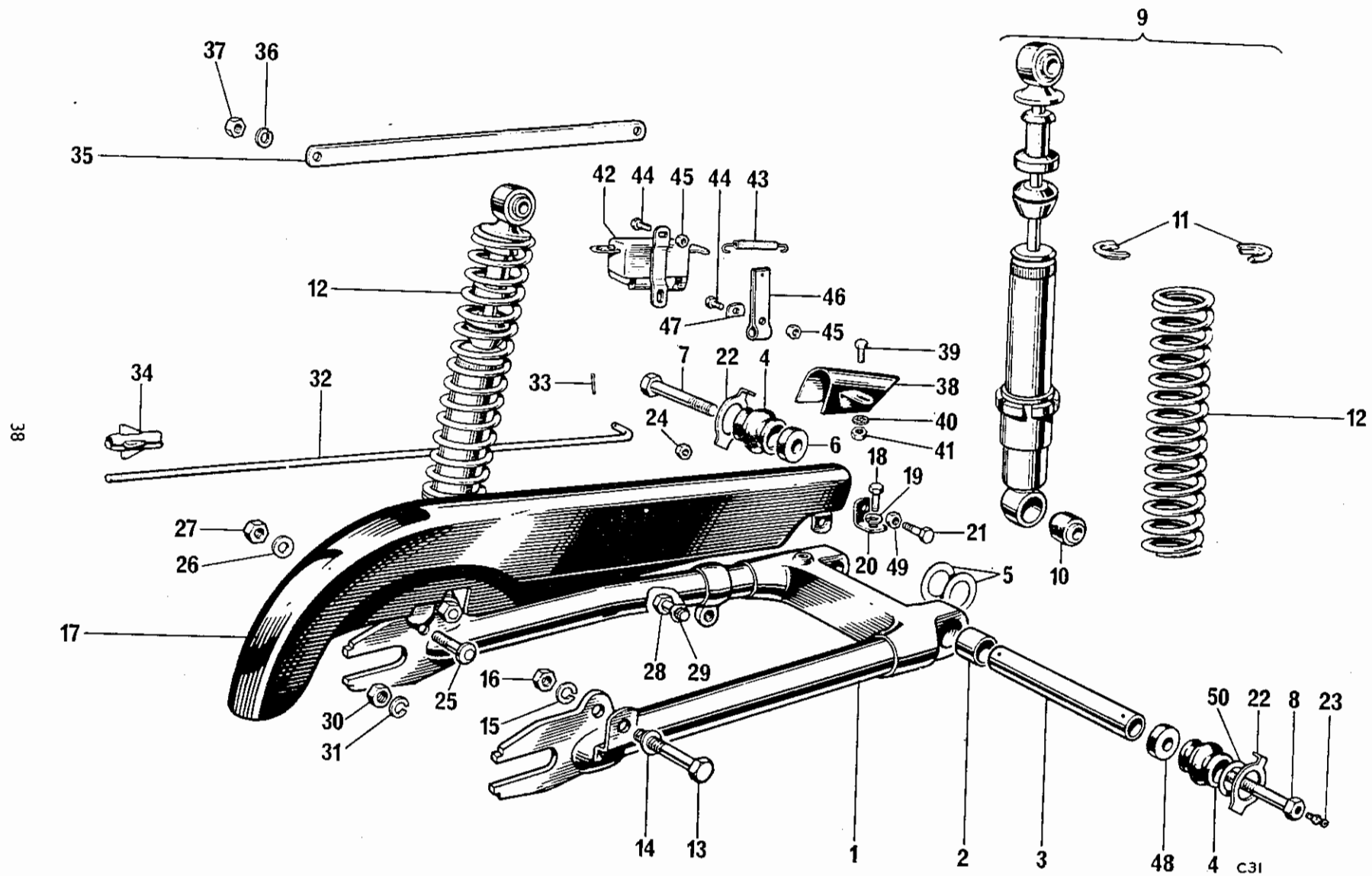


Fig. 16. SWINGING FORK, SUSPENSION UNITS AND CHAINGUARD

SWINGING FORK, SUSPENSION UNITS AND CHAINGUARD

1	F7375	SWINGING FORK	1	
2	F4076	Pivot bush	2	
3	F7342	Spindle	1	
4	F7270	Gaiter	2	
5	F4385	Shim 0.003 in.	As required	
5	F4386	Shim 0.005 in.	As required	
6	F10037	Left distance piece	1	
7	S580	Left bolt	1	
8	S579	Right bolt	1	
9	64052107	SUSPENSION UNIT (D2024)	2	
10	64533645	Bonded bush (99-0122)	4	
11	9054/171	Spring retainer (99-0107)	4	
12	64543708	Spring, 100 lbs. chrome (99-1048)	2	
13	14-0235	Unit fixing bolt (1 $\frac{5}{8}$ in. U.H.)	4	
14	S25-2	Plain washer	6	
15	S26-1	Spring washer	2	
16	14-0303	Nut	2	
17	F7707	Chainguard	1	
18	DS57	Bolt ($\frac{7}{8}$ in. U.H.)	1	
19	S26-2	Spring washer	1	
20	F4134	Front bracket	1	
21	14-0113	Bolt ($\frac{9}{8}$ in. U.H.)	1	
22	F7343	Tab washer	2	
23	NW100	Lubricator	1	
24	14-0702	Self-locking nut	1	
25	F9387	Stepped bolt	1	
26	S25-3	Plain washer	1	
27	14-0302	Nut	1	
28	S581	Bolt	1	
29	E2288	Serrated washer	1	
30	DS47	Nut	1	
31	99-0046	Spring washer	1	
32	W3450	Brake operating rod	1	
33	—	Split pin ($\frac{1}{8}$ in. x $\frac{1}{2}$ in.)	Reference only	
33	F7387	Adjuster nut	1	
35	F11567	Brake torque stay	1	
36	99-0046	Torque stay washer	1	
37	14-0304	Torque stay nut	1	
38	F6046	Front chainguard	1	
39	DS57	Bolt	1	
40	E1612	Serrated washer	1	
41	14-0301	Nut U.N.	1	
42	54033234	Stop lamp switch (99-0725)	1	
43	F3158	Spring (315738)	1	
44	T1076	Bolt ($\frac{3}{8}$ in. U.H.)	3	
45	F4717	Self-locking nut	5	
46	F5687	Lever	1	
47	F5413	"D" washer	1	
48	F7774	Right distance piece	1	
49	14-0702	Nut	1	
50	F4078	Thrust washer	1	

ASSEMBLY REF. No.1

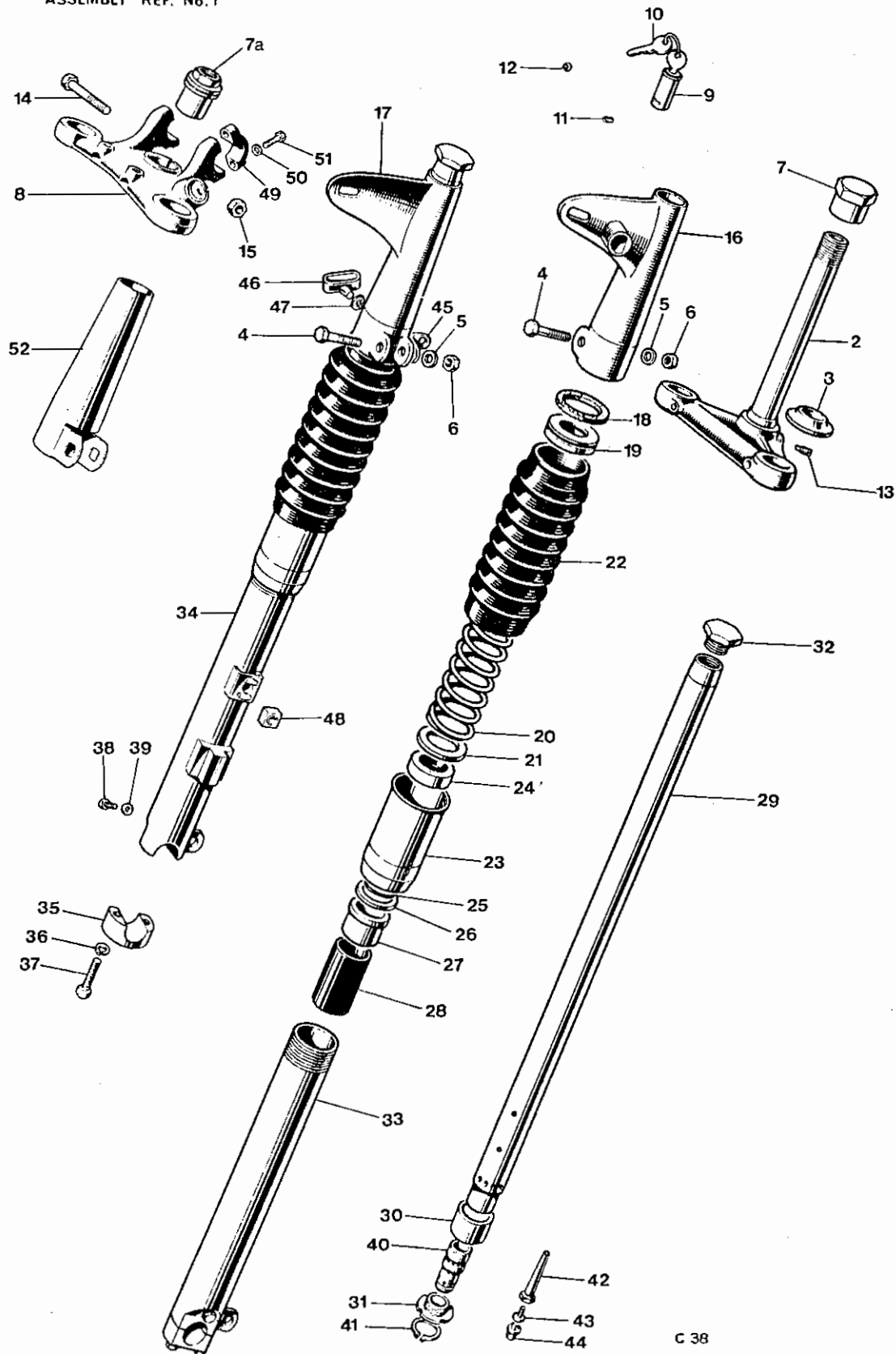


Fig. 17. TELESCOPIC FRONT FORK

Ref. No.	Part No.	DESCRIPTION	QUANTITY	REMARKS
TELESCOPIC FRONT FORK				
1	H3910	FORK ASSEMBLY	1	T100R
1	H3908	FORK ASSEMBLY	1	T100C
2	H2288	Middle lug and stem	1	
3	H439	Bottom cone	1	
4	H2290	Pinch bolt (2¼ in. U.H.)	2	
5	S25-2	Plain washer	2	
6	14-1303	Cleveloc nut	2	
7A	H2108	Fork stem sleeve nut	1	T100C
7	H2263	Fork stem sleeve nut	1	T100R
8	H3662	Top lug	2	
9	F6738	Lock c/w 2 keys	1	
10	D623	Key (state serial number)	1	Key no's run from EJR 1 to EJR 50
11	S578	Grub screw	1	
12	H2266	Sealing washer	1	
13	H2107	Locating pin	1	
14	S684	Pinch bolt (1⅝ in. U.H.)	1	
15	S685	Seated nut	1	
16	H2161	Left top cover	1	
17	H2162	Right top cover	1	
18	F4047	Cork washer	2	
19	H1657	Spring abutment	2	
20	H1892	Main spring (Yellow/Green)	2	T100C
20	H1891	Main spring (Yellow/Blue)	2	T100R
21	H1656	Plain washer	2	
22	H3635	Telescopic gaiter	2	
23	H3633	DUST EXCLUDER SLEEVE NUT	2	
24	H1500	Oil seal	2	
25	H2119	"O" ring	2	
26	H431	Plain washer	2	
27	H441	Top bearing	2	
28	H1896	Damping sleeve	2	
29	H3904	STANCHION	2	
30	H443	Lower bearing	2	
31	H2091	Bearing nut	2	
32	H2245	Cap nut	2	
33	H3921	LEFT BOTTOM MEMBER c/w CAP	1	
34	H3922	RIGHT BOTTOM MEMBER c/w CAP	1	
35	H1844	Spindle cap	2	
36	S26-3	Spring washer	4	
37	14-0218	Cap bolt (1⅞ in. U.H.)	4	
38	H3894	Drain plug	2	
39	H3893	Sealing washer	2	
40	H2154	Shuttle valve	2	
41	H2127	Circlip	2	
42	H2090	Restrictor	2	
43	H1062	Aluminium washer	2	
44	H2126	Flanged bolt	2	
45	H3682	Bracket	1	
46	H2270	Cable retainer	1	
47	F8245	Starlock washer	1	
48	H3926	Square nut	2	
49	H722	Cap	2	
50	S25-3	Plain washer	4	
51	S589	Bolt (1⅞ in. U.H.)	4	
52	H1696	Top cover		Available for use where headlamp removed
Not illus.	F6784	Cable grommet (right top cover)	1	

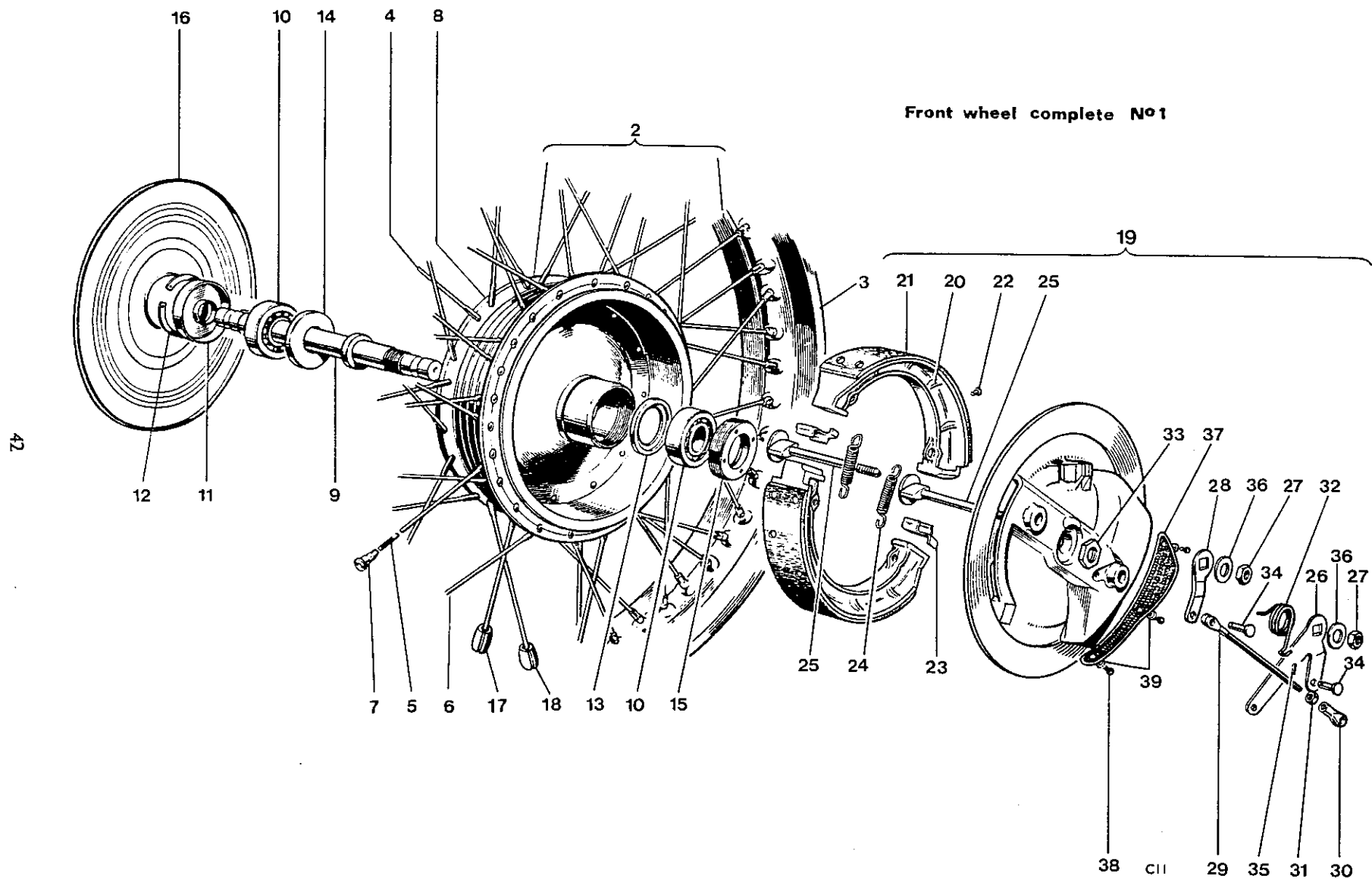


Fig. 19. FRONT WHEEL T100R

FRONT WHEEL T100R

1	W3458	FRONT WHEEL COMPLETE	1	
2	W1721	RIM, SPOKES AND HUB ASSEMBLY	1	
3	W1230	Front wheel rim (WM2-19)	1	
4	W1328	Spoke (8/10G x 5 $\frac{5}{8}$ in. straight) c/w nipple	20	
5	W1708	Spoke (8/10G x 4 $\frac{3}{4}$ in. 78°) c/w nipple	10	
6	W1709	Spoke (8/10G x 4 $\frac{7}{8}$ in. 100°) c/w nipple	10	
7	S79-2	Spoke nipple	40	
8	W1722	Hub and brake drum	1	
9	W3582	Wheel spindle	1	
10	W653	Bearing	2	
11	W1237	Dust cover	1	
12	T280	Circlip	1	
13	W3337	Bearing support ring	1	
14	W1481	Grease retainer	1	
15	W582	Retaining ring	1	
16	W3460	Cover plate	1	
17	W1197	Balance weight, $\frac{1}{2}$ oz.	As required	
18	W1198	Balance weight, 1 oz.	As required	
19	W3461	BRAKE ANCHOR PLATE ASSEMBLY	1	
20	W1996	BRAKE SHOE c/w LINING	2	
21	Reference only	Brake lining	1	} Each shoe
22	Reference only	Brass rivet	8	
23	W2026	Thrust pad	2	
24	W135	Shoe return spring	2	
25	W2001	Brake cam	1	
26	W3453	Brake cam lever (front)	1	
27	14-0303	Nut	2	
28	W3454	Brake cam lever (rear)	1	
29	W2003	Rod assembly	1	
30	W2005	Fork end, threaded	1	
31	14-0401	Locknut	1	
32	W3522	Lever return spring	1	
33	S1995	Anchor plate nut	1	
34	WF32	Pivot pin	2	
35	—	Split pin ($\frac{1}{16}$ in. x $\frac{3}{8}$ in. long)	Reference only	
36	S25-6	Plain washer	2	
37	W1991	Anchor plate gauze (for air scoop)	1	
38	S1998	Taptite screw	3	
39	E2351	Washer for taptite screws	3	

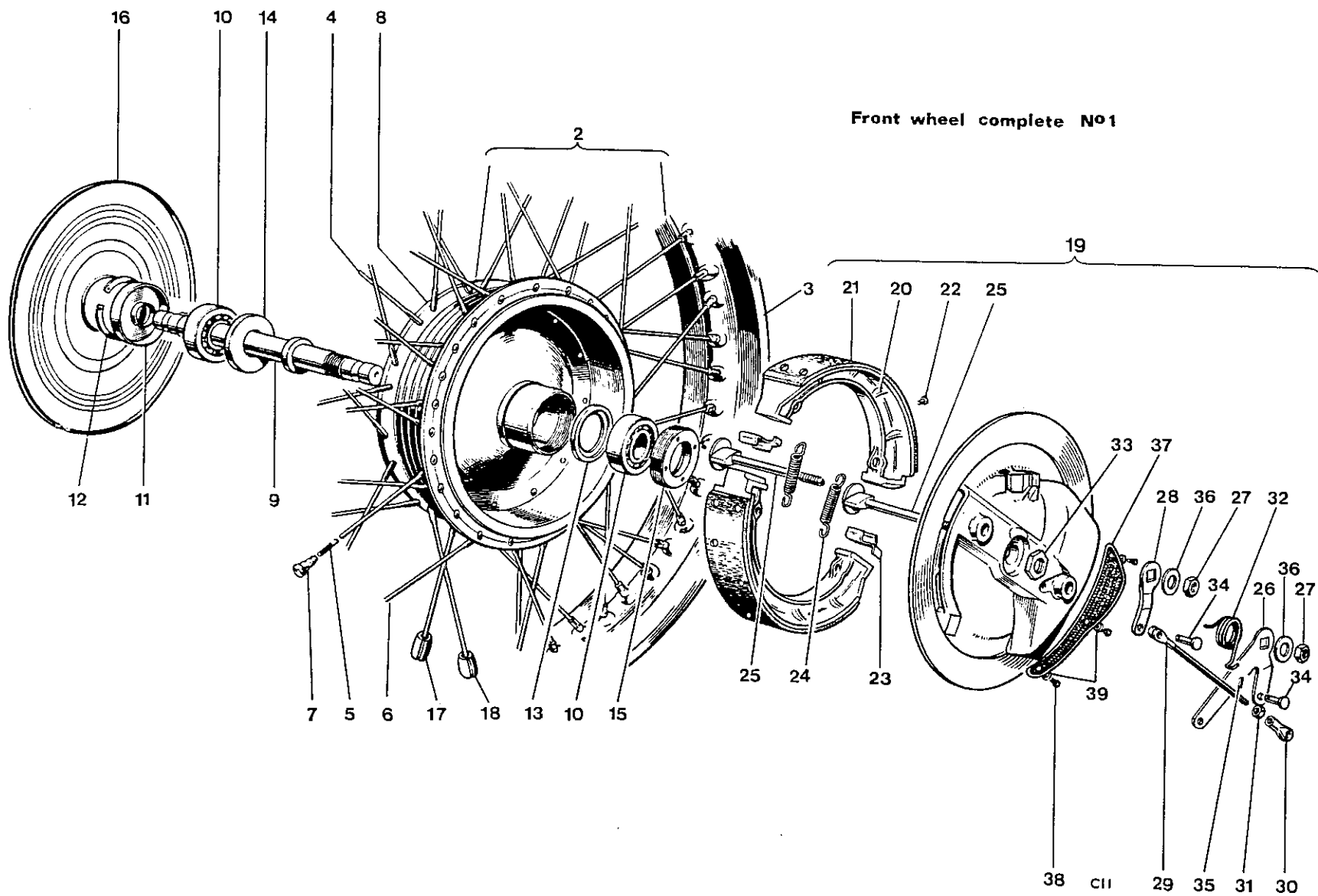


Fig. 20. FRONT WHEEL T100C

FRONT WHEEL (T100C)

1	W3430	FRONT WHEEL COMPLETE	1	
2	W2132	RIM SPOKES AND HUB ASSEMBLY	1	
3	W1230	Front wheel rim (WM2-19)	1	
4	W2137	Spoke D.S.	20	
5	W2138	Spoke T.S.	10	
6	W2139	Spoke T.S.	10	
7	W2136	Spoke nipple	40	
8	W3325	Hub and brake drum	1	
9	W3582	Wheel spindle	1	
10	W653	Wheel bearing	2	
11	W1237	Dust cover	1	
12	T280	Circlip	1	
13	W3337	Bearing support ring	1	
14	W1481	Grease retainer	1	
15	W582	Retaining ring	1	
16	W3443	Cover plate	1	
17	W1197	Balance weight $\frac{1}{2}$ oz.	As required	
18	W1198	Balance weight 1 oz.	As required	
19	W3455	BRAKE ANCHOR PLATE ASSEMBLY	1	
20	W3446	BRAKE SHOE c/w LINING	2	
21	Reference only	Brake lining	1	} Each shoe
22	Reference only	Brass rivet	8	
23	W2026	Thrust pad	2	
24	W135	Shoe return spring	2	
25	W2001	Brake cam	1	
26	W3453	Brake cam lever (front)	1	
27	14-0303	Nut	2	
28	W3454	Brake cam lever (rear)	1	
29	W3450	Rod assembly	1	
30	W2005	Fork end, threaded	1	
31	14-0401	Locknut	1	
32	W3522	Lever return spring	1	
33	S1995	Anchor plate nut	1	
34	WF32	Pivot pin	2	
35	—	Split pin ($\frac{1}{16}$ in. x $\frac{3}{8}$ in. long)	Reference only	
36	S25-6	Plain washer	2	
37	W1991	Anchor plate gauze (for air scoop)	1	
38	S1998	Taptite screw	3	
39	E2351	Washer for taptite screws	3	

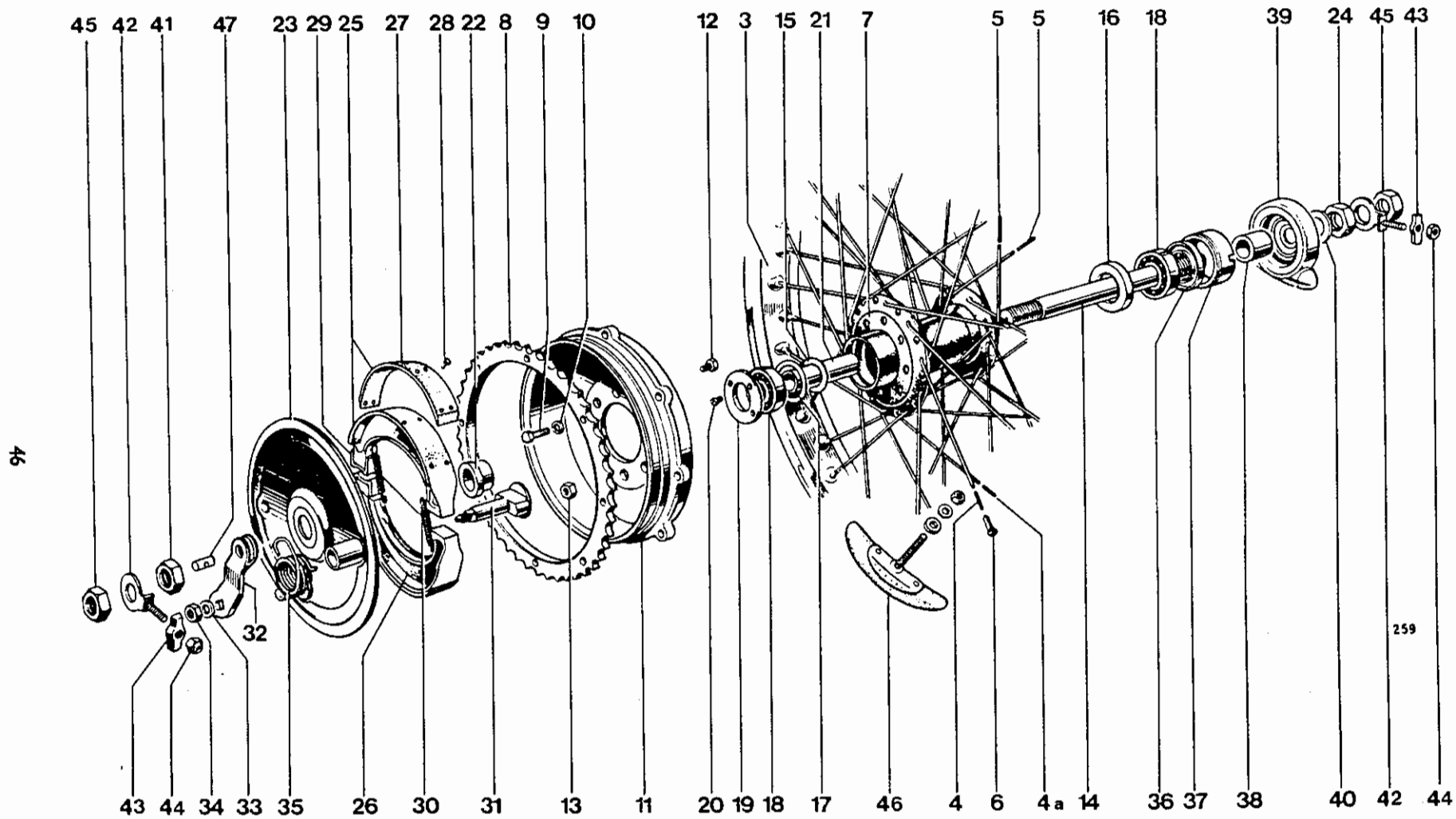


Fig. 21. REAR WHEEL

Ref. No.	Part No.	DESCRIPTION	QUANTITY	REMARKS
REAR WHEEL				
1	W3607	REAR WHEEL COMPLETE	1	
2	W3610	RIM, SPOKES AND HUB ASSEMBLY	1	
3	W1007	Rear wheel rim WM3-18	1	
4	W1107	Spoke (8/10G x 7 $\frac{2}{16}$ in. 90°)	10	
4A	W3402	Spoke (8/10G x 7 $\frac{2}{16}$ in. 110°)	10	
5	W1108	Spoke (8/10G x 7 $\frac{2}{8}$ in. 90°)	20	
6	S79-2	Spoke nipple	40	
7	W3586	Hub	1	
8	W1499	Sprocket, 46T	1	
9	S2010	Bolt	8	
10	E1612	Serrated washer	8	
11	W3585	Brake drum	1	
12	S2011	Bolt ($\frac{1}{8}$ in. U.H.)	8	
13	14-1202	Self-locking nut	8	
14	W3589	Wheel spindle	1	
15	W1474	Grease retainer (brake side)	1	
16	W1654	Grease retainer	1	
17	W1022	Backing ring	1	
18	W653	Bearing	2	
19	W3587	RETAINING RING	1	
20	W1710	Locking screw ($\frac{5}{16}$ in. U.H.)	1	
21	W1278	Distance tube	1	
22	W1024	Distance piece	1	
23	W3590	Brake anchor plate	1	
24	S2013	Nut	1	
25	W1406	LEADING BRAKE SHOE C/W LINING	1	
26	W1407	TRAILING BRAKE SHOE C/W LINING	1	
27	Reference only	Brake lining	2	
28	Reference only	Brass rivet	16	
29	W1415	Thrust pad	2	
30	W135	Shoe return spring	2	
31	W3592	Brake cam	1	
32	W2014	Brake cam lever	1	
33	S25-6	Plain washer	1	
34	W2027	Nut	1	
35	W1488	Lever return spring	1	
36	W1635	Grease retainer	1	
37	W3588	Speedometer adaptor	1	
38	W1477	Distance piece	1	
39	D373	Speedometer gearbox	1	
40	W1280	Plain washer	1	
41	S2014	Nut D.S. inner	1	
42	W2089	Chain adjuster	2	
43	W1015	Adjuster end plate	2	
44	14-1902	Self-locking nut	2	
45	S585	Spindle nut	2	
46	WM3	Tyre security bolt WM3	2	
47	W11	Pivot pin	1	

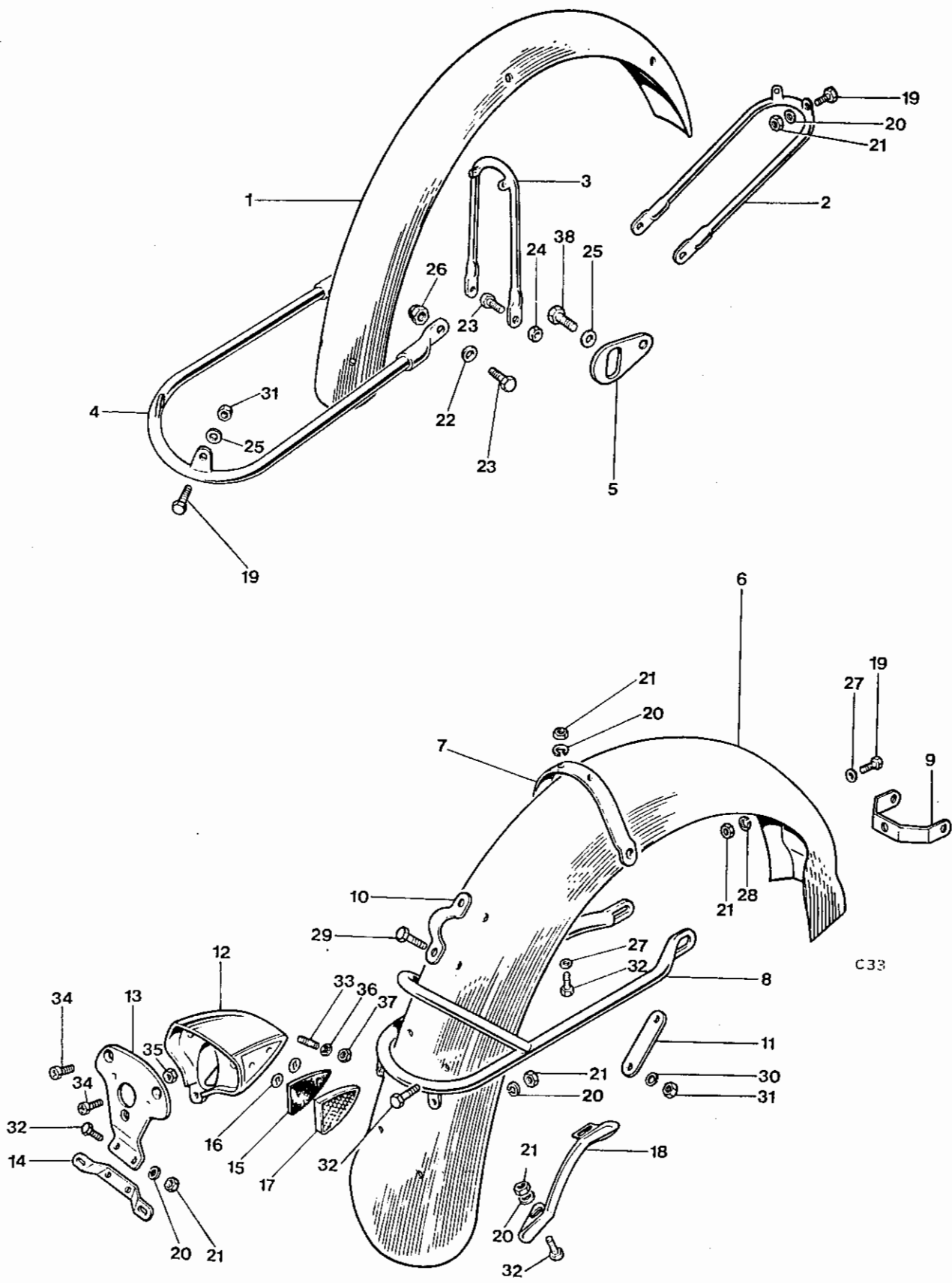


Fig. 23. FENDERS

Ref. No.	Part. No.	DESCRIPTION	QUANTITY	REMARKS
FENDERS				
1	H3882	Front mudguard (painted)	1	T100R
1	H3884	Front fender (stainless steel)	1	T100C
2	H1681	Front stay	1	
2	H3663	Front stay, chrome	1	T100R
3	H1683	Centre bridge	1	
3	H3664	Centre bridge, chrome	1	T100R
4	H3886	Bottom stay, chrome	1	T100R
4	H3885	Bottom stay	1	T100C
5	H1685	Bracket	2	
6	*F11619	Rear fender	1	T100R
6	F11618	Rear fender	1	T100C
7	F6915	Bridge	1	
8	F11571	Lifting handle	1	
9	F6916	Bracket	1	
10	F5994	Clip	1	
11	F6031	Backing plate	1	
12	F8139	Tail lamp adaptor	1	
13	F6849	Tail lamp plate	1	
14	F6850	Number plate bracket	1	
15	F8140	Rubber mat reflector	1	
16	F8195	Push fix	1	
17	57111	Red reflector (99-1030)	1	
18	F7826	Wiring protector	1	
19	14-0101	Bolt	6	
20	S25-1	Washer	11	
21	14-1201	Nut	11	
22	F4299	Washer	4	
23	14-0115	Bolt	4	
24	14-0402	Nut	2	
25	S25-3	Washer	5	
26	14-0702	Nut	2	
27	F6310	Washer	3	
28	S26-2	Washer	1	
29	14-0113	Bolt	2	
30	E2287	Spring washer	2	
31	14-0302	Nut	5	
32	14-0102	Bolt	6	
33	E2980	Stud	1	
34	F4715	Screw	3	
35	F3799	Nut	1	
36	GS299	Shakeproof washer	2	
37	F879	Nut	1	
38	S1822	Bolt	2	

*Appropriate color code suffix must be added when ordering replacement Fenders

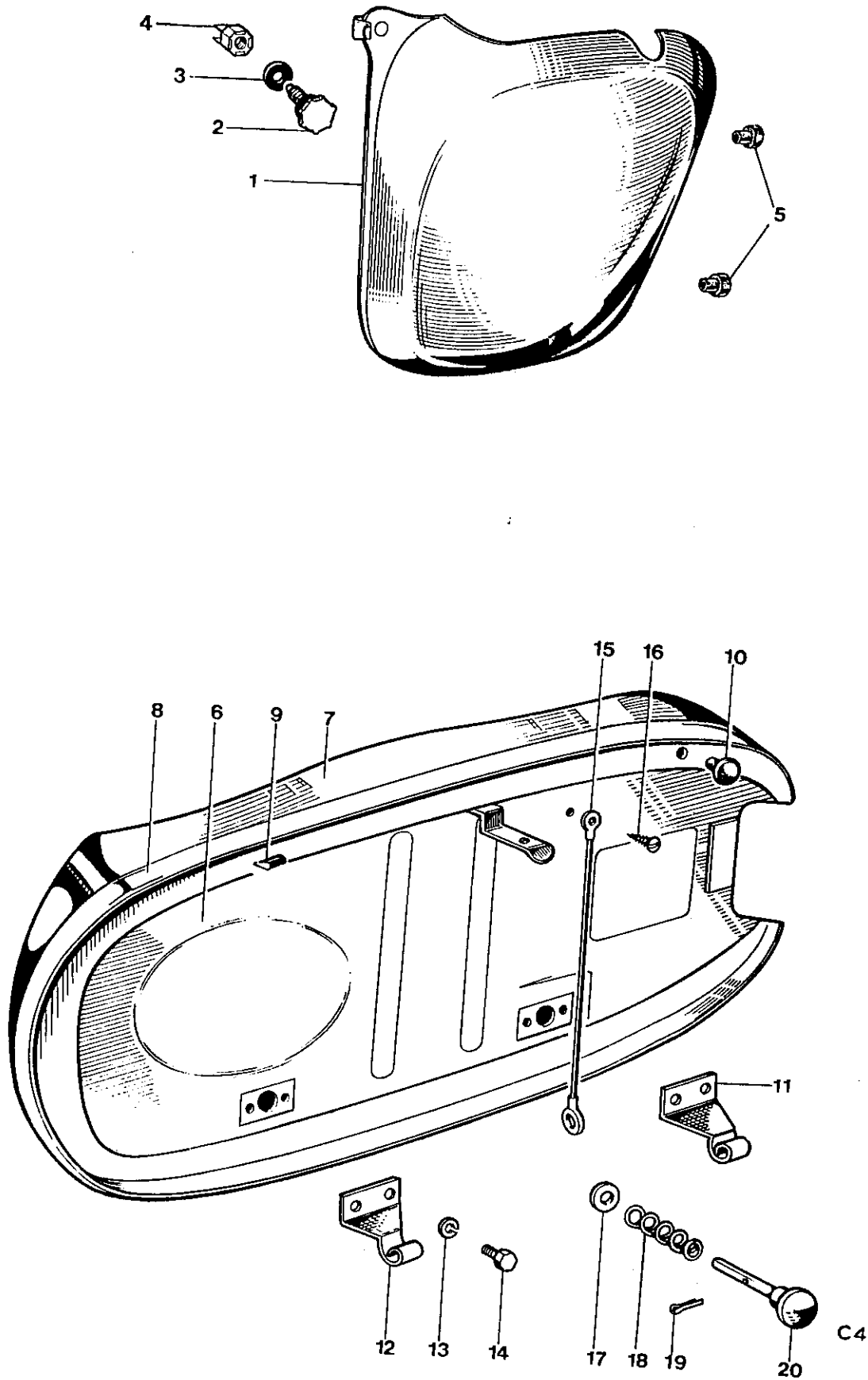


Fig. 24. PANELS AND TWINSEAT

Ref. No.	Part No.	DESCRIPTION	QUANTITY	REMARKS
PANELS AND TWINSEAT				
1	F8042	Left panel and toolbox	1	
2	F11357	Toolbox screw	1	
3	F11377	Washer	1	
4	F10222	Captive nut	1	
5	F6673	Grommet	2	
6	F11573	TWINSEAT	1	
7	F9715	Twinsseat cover	1	
Not illus.	A52	Transfer, positive earth	1	
8	D696	Twin strip (bright)	1	
9	D697	Sprag	4	
10	F4898	Buffer front	2	
10	F7835	Buffer rear	2	
11	F8026	Hinge front	1	
12	F7862	Hinge rear	1	
13	S26-2	Spring washer	4	
14	14-0101	Bolt ($\frac{7}{8}$ in. U.H.)	4	
15	D374	Check wire	1	
16	D2381	Self tapping screw	2	
17	E1719A	Washer	1	
18	F4228	Spring	1	
19	—	Split pin ($\frac{3}{32}$ in. x $\frac{1}{2}$ in.)	Reference only	
20	F7560	Seat knob and plunger	1	
Not illus.	} D2105 D1917	Transfer Trophy 500	1	T100C
		Transfer Tiger 500	1	T100R

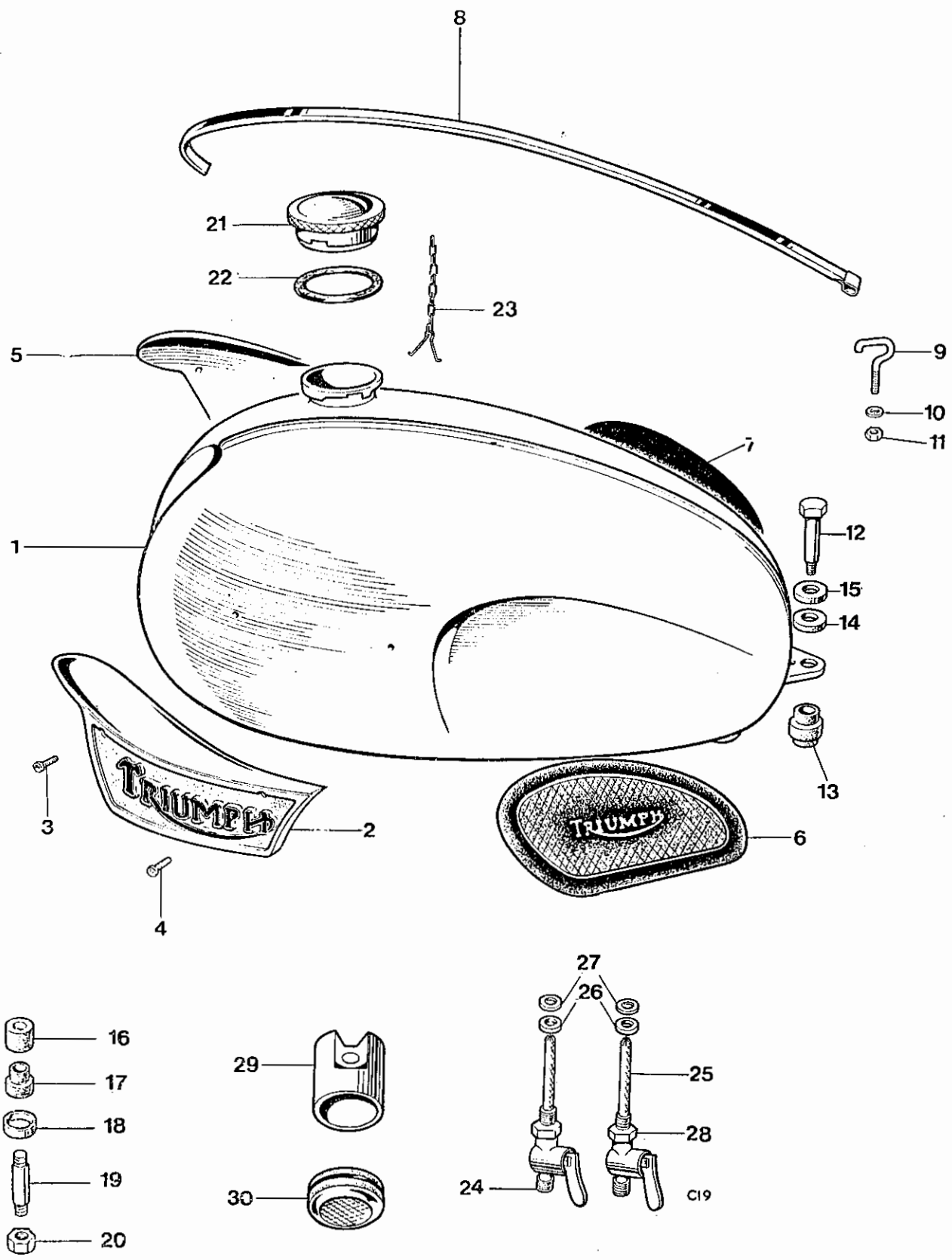


Fig. 25. GAS TANK

Ref. No.	Part No.	DESCRIPTION	QUANTITY	REMARKS
----------	----------	-------------	----------	---------

GAS TANKS

1	F11804	Petrol tank	1	T100R	
1	F11803	Petrol tank	1	T100C	
2	F9701	Styling unit (left)	1		
3	F11339	Styling unit screw (27/64 in. O.A.) front	2		
4	F7888	Styling unit screw (35/64 in. O.A.) rear	2		
5	F9700	Styling unit (right)	1		
6	F8192	Left knee grip	1		
7	F8193	Right knee grip	1		
8	F10007	Centre styling strip	1		
9	F10008	Hook, screw	1		
10	F4019	Serrated washer	1		
11	H919	Nut	1		
12	F7388	Rear bolt	1		
13	F5336	Double spigot rubber	1		
14	F967	Rubber washer	1		
15	F3814	Cup	1		
16	F5228	Rubber washer	2		
17	F5229	Spigot rubber	2		
18	F3814	Cup	2		
19	S1883	Stud	2		
20	14-1302	Nut	2		
21	F3220	FILLER CAP	1		
22	F4048	Joint washer	1		
23	F3217	Jack chain	1		
24	F4971	Petrol tap (left)... ..	1		
25	F4972	Petrol tap with reserve tube	1		
26	E7351	Petrol tap seal	2		
27	F10002	Steel washer	2		
28	F10006	Tap nut	2		
29	F8194	Reflector bracket	2		
30	57161	Reflector, amber (D691)	2		
Not illus.	{	D2064	Transfer, Trophy 500	1	T100C
		D2065	Transfer, Daytona	1	T100R
		A56	Transfer, World Speed Record	1	
		A61	Transfer, Made in England	1	

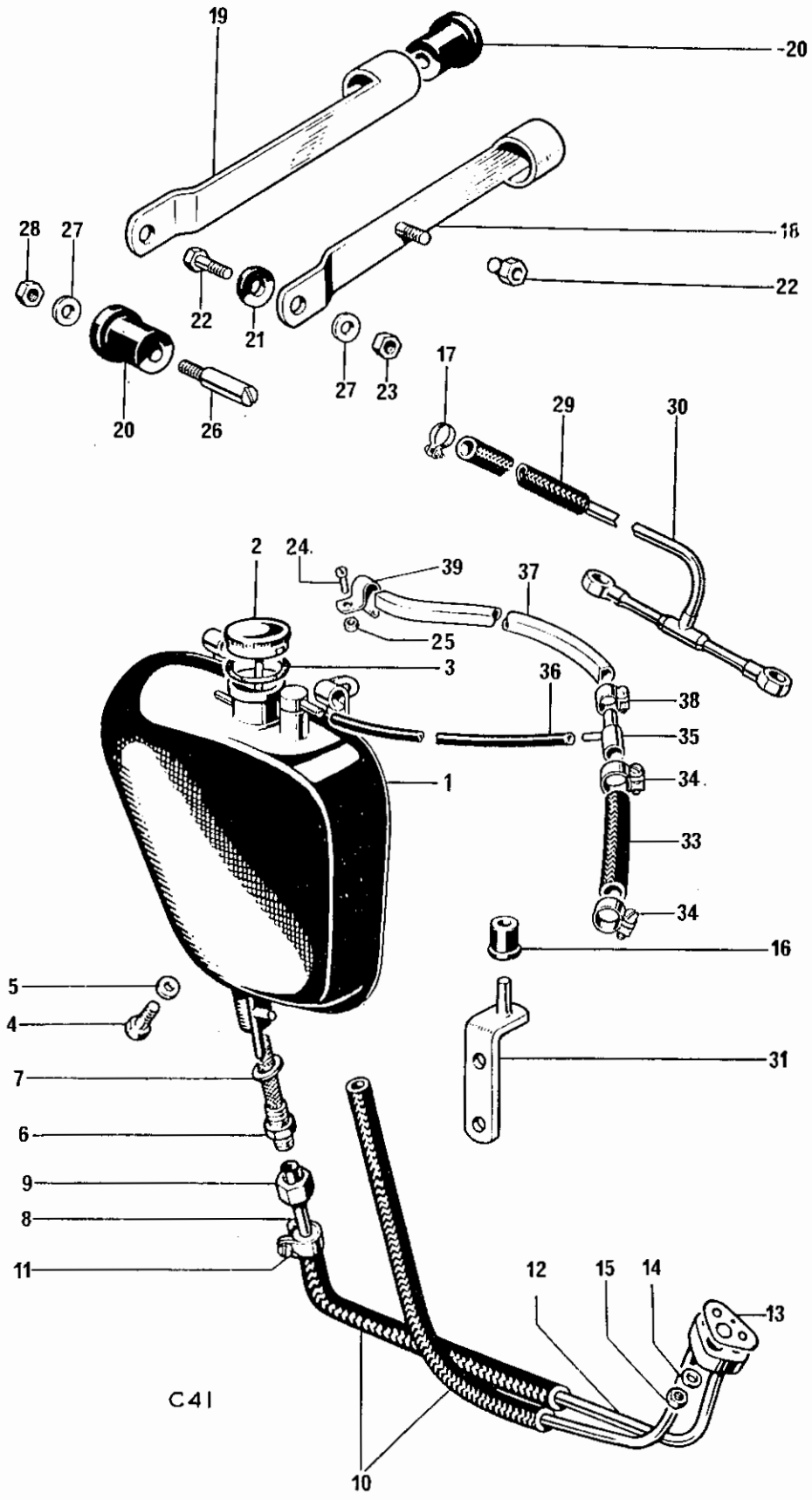


Fig. 26. OIL TANK

Ref. No.	Part No.	DESCRIPTION	QUANTITY	REMARKS
OIL TANK				
1	F11577	Oil tank	1	
2	F9659	FILLER CAP AND DIPSTICK	1	
3	F4047	Joint washer	1	
4	F5343	Drain plug	1	
5	99-0048	Fibre washer	1	
6	F3179	Oil tank filter	1	
7	F1713	Fibre washer	1	
8	F6103	Upper feed pipe	1	
9	F3182	Union nut	1	
10	E4594	Flexible connector, long	2	
11	E6848	Clip	4	
12	E7203	Oil pipes and junction block	1	
13	E3763	Joint washer	1	
14	E3446	Plain washer	1	
15	S1908	Nut	1	
16	F6039	Grommet	1	
17	E6849	Clip (rocker pipe)	1	
18	F9255	Front strap	1	
19	F8028	Rear strap	1	
20	F6673	Spigot rubber	4	
21	F6968	Rubber washer	2	
22	14-0103	Bolt ($\frac{3}{8}$ in. U.H.)	2	
23	14-0701	Self-locking nut	2	
24	H3894	2 BA Screw	1	
25	F4717	2 BA Nut	1	
26	F7510	Screwed peg	2	
27	S25-13	Plain washer	4	
28	14-0301	Nut	2	
29	E6353	Rubber connector	1	
30	E7576	Rocker oil feed pipe	1	
31	F6898	Bracket	1	
32	F8034	Spigot nut	1	
Not illus.	D1816	Grouped transfer "Drain and Refill" etc.	1	
33	E11149	Breather vent pipe	1	
34	D2253	Clip breather vent pipe	2	
35	F11610	'T' piece connector	1	
36	F11613	Froth tower vent pipe	1	
37	F11614	Breather pipe rear guard	1	
38	D2252	Clip, pipe to 'T' piece	1	
39	F11615	Clip, pipe to rear guard	1	

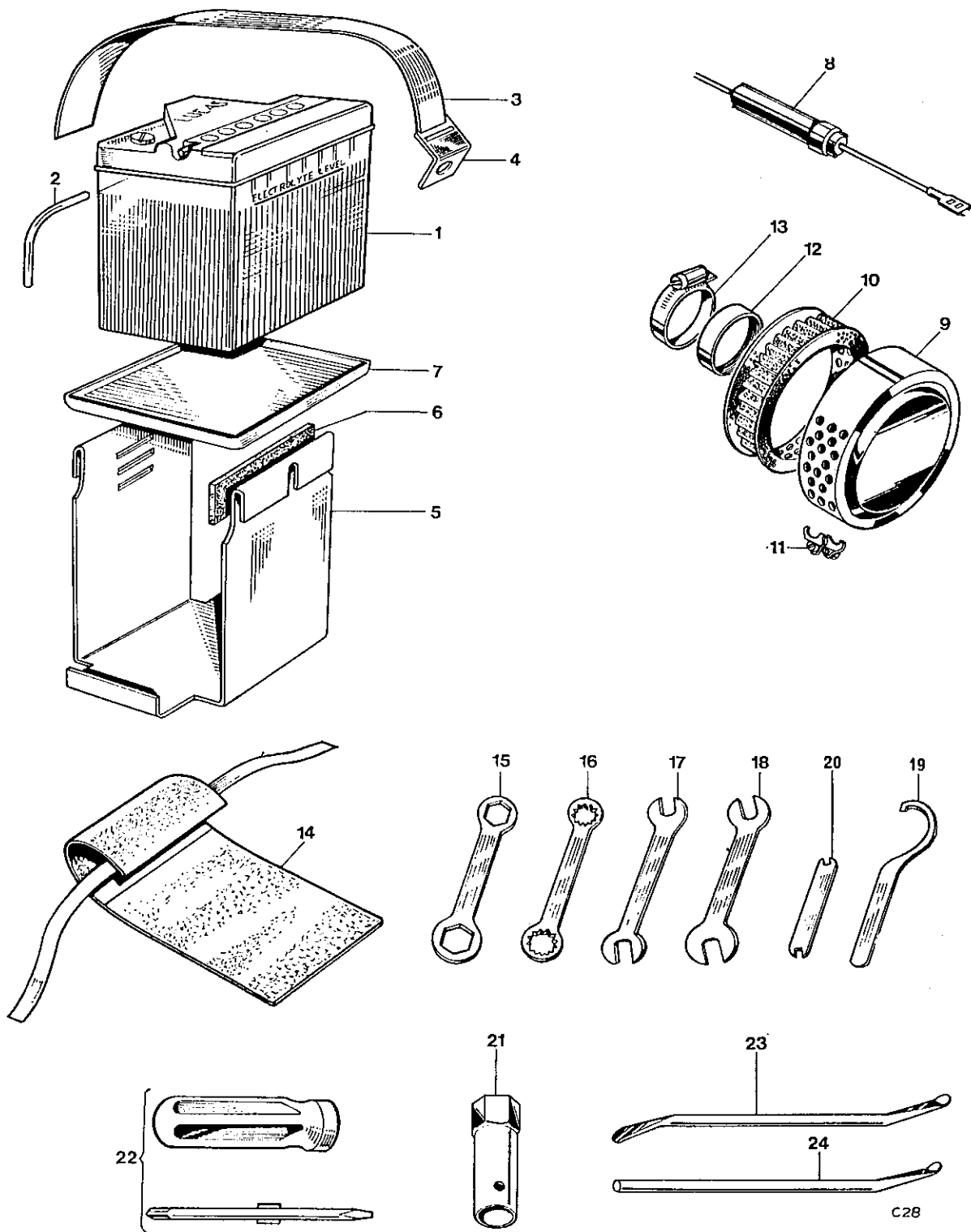


Fig. 27. BATTERY, TOOLKIT AND AIR FILTER

BATTERY, TOOLKIT AND AIR FILTER

1	PUZ5A	Battery 54027029 (99-0719)	1	
2	F7431	Vent pipe	1	
3	F8033	Battery retaining strap	1	
4	F8032	Battery strap anchorage	1	
5	F8024	Battery carrier	1	
6	F8031	Battery carrier rubber	1	
7	F8091	Battery carrier tray	1	
8	54938986	Fuse assembly	1	
9	F11609	AIR FILTER	1 or 2	
10	F6866	Filter element (Filter cloth and gauze)	1 or 2	
11	F4810	Clip for cover	1 or 2	
12	E4576	Adaptor	1 or 2	
13	D177/8	Clip	1	
—	D2110	TOOL KIT	1	
14	D291	Tool roll	1	
15	D2251	Ring spanner $1\frac{1}{8}$ in. x $1\frac{5}{16}$ in. AF.	1	
16	D370	Ring spanner $\frac{3}{16}$ in. x $\frac{1}{4}$ in. WHIT	1	
17	D2084	Open end spanner $\frac{1}{2}$ in. x $\frac{7}{16}$ in. AF.	1	
18	DA16	Open end spanner $\frac{3}{8}$ in. x $\frac{7}{16}$ in. WHIT	1	
19	D2184	C spanner	1	
20	D2185	Tappet spanner	1	
21	D87	Box spanner for sparking plug	1	
22	D767	Screwdriver c/w blade	1	
23	D363	Tyre lever	1	
24	D801	Tyre lever and tommy bar	1	

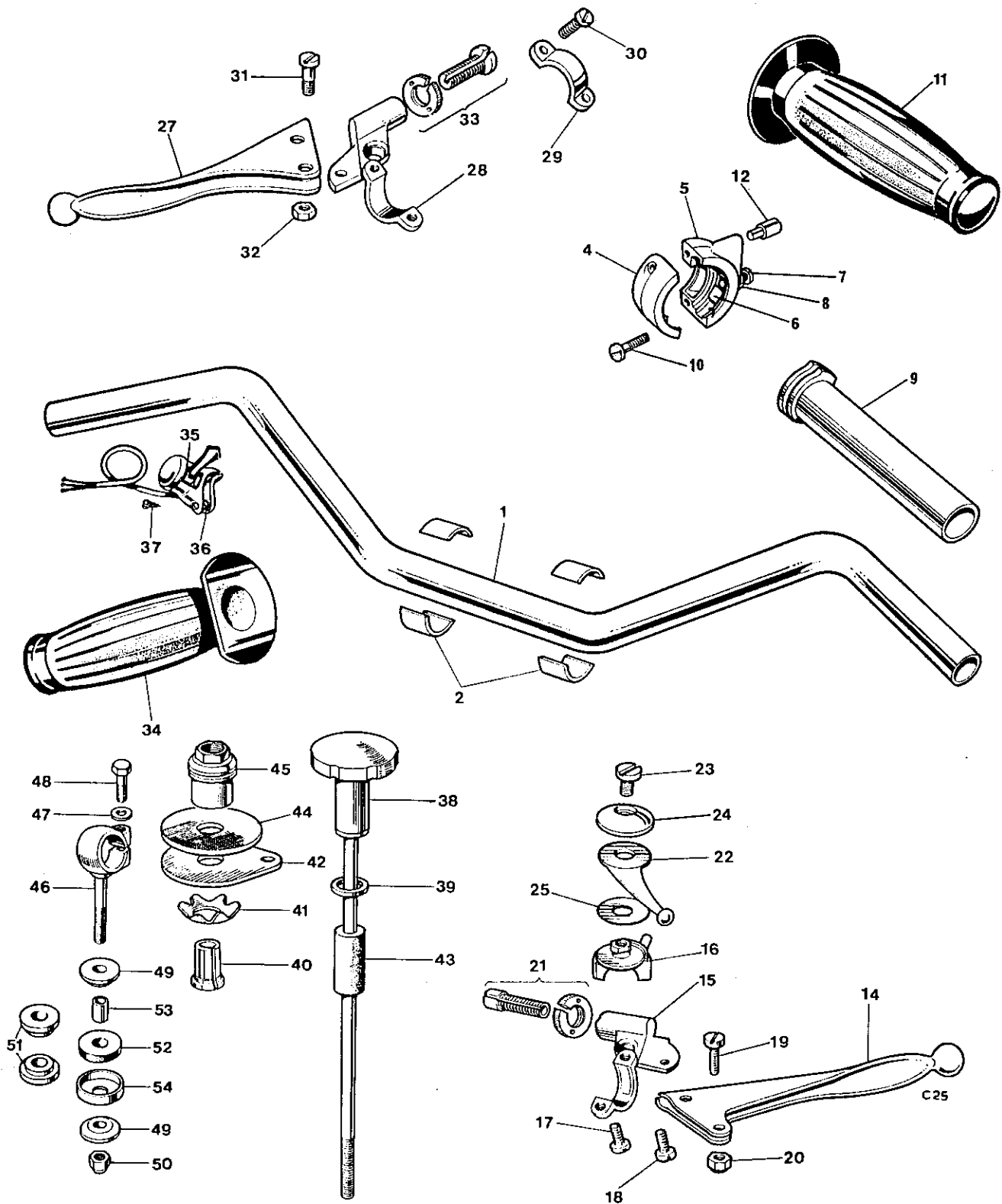


Fig. 28. HANDLEBARS AND CONTROL LEVERS

Ref. No.	Part No.	DESCRIPTION	QUANTITY	REMARKS
HANDLEBAR AND CONTROL LEVERS				
1	H1519	Handlebar	1	T100C
1	H1873	Handlebar	1	T100R
2	H1425	Packing piece	4	
3	16/366	TWISTGRIP (99-1095)	1	
4	16/328	Body top half (99-0245)	1	
5	16/329	Body bottom half (99-0246)	1	
6	16/008	Friction spring (99-0238)	1	
7	16/009	Friction spring screw (99-0239)	1	
8	16/010	Nut (99-0240)	1	
9	16/091	Rotor (99-0244)	1	
10	11/014	Screw (99-0226)	2	
11	H2125	Handlebar grip	1	
12	16/011	Cable stop (99-0241)	1	
13	D2241	FRONT BRAKE AND AIR LEVER ASSEMBLY (19/978)	1	
14	18/754	Brake lever (ball end) (99-0262)	1	
15	19/001	Lever bracket (99-1093)	1	
16	12/619	Control body	1	
17	11/014	Screw (99-0226)	1	
18	11/013	Screw (99-0225)	1	
19	18/087	Fulcrum screw (99-0252)	1	
20	18/053	Self locking nut (99-0250)	1	
21	18/1708/1709	Cable adjuster and nut (99-1031)	1	
22	12/556	Lever (99-0228)	1	
23	12/607	Bolt	1	
24	12/606	Cap	1	
25	12/033	Spring washer	1	
26	D2242	CLUTCH LEVER ASSEMBLY (19/952)	1	
27	18/752	Clutch lever (ball end) (99-0261)	1	
28	19/002	Clutch lever bracket (99-1094)	1	
29	12/595	Clamp (99-0230)	1	
30	11/014	Screw (99-0226)	2	
31	18/087	Fulcrum screw (99-0252)	1	
32	18/053	Self locking nut (99-0250)	1	
33	18/1708/1709	Cable adjuster and nut (99-1031)	1	
34	H2124	Handlebar grip	1	
35	31563	Horn push and dip switch (99-0555)	1	
36	380459	Backing rubber	1	
37	H1994	Selftapping screw (½ in. U.H.)	2	
38	H1142	Steering damper rod c/w knob	1	} T100C
39	H565	Plain washer	1	
40	H408	Adjuster sleeve	1	
41	H95	Spring plate	1	
42	H1797	Anchor plate	1	
43	H1618	Rubber sleeve	1	
44	H435	Friction disc	1	
45	H2108	Fork stem sleeve nut (for use with steering damper)	1	
46	H2291	Handlebar eyebolt	2	
47	F1335	Plain washer	2	
48	H1340	Bolt (1½ in. U.H.)	2	
49	H1529	Hemispheric washer	4	
50	14-1903	Self locking nut	2	
51	H1616	Solid bush (for handlebar-mounted windscreen)	As required	
52	H1580	Steady rubber	2	
53	H1581	Distance piece	2	
54	H2221	Cup	2	

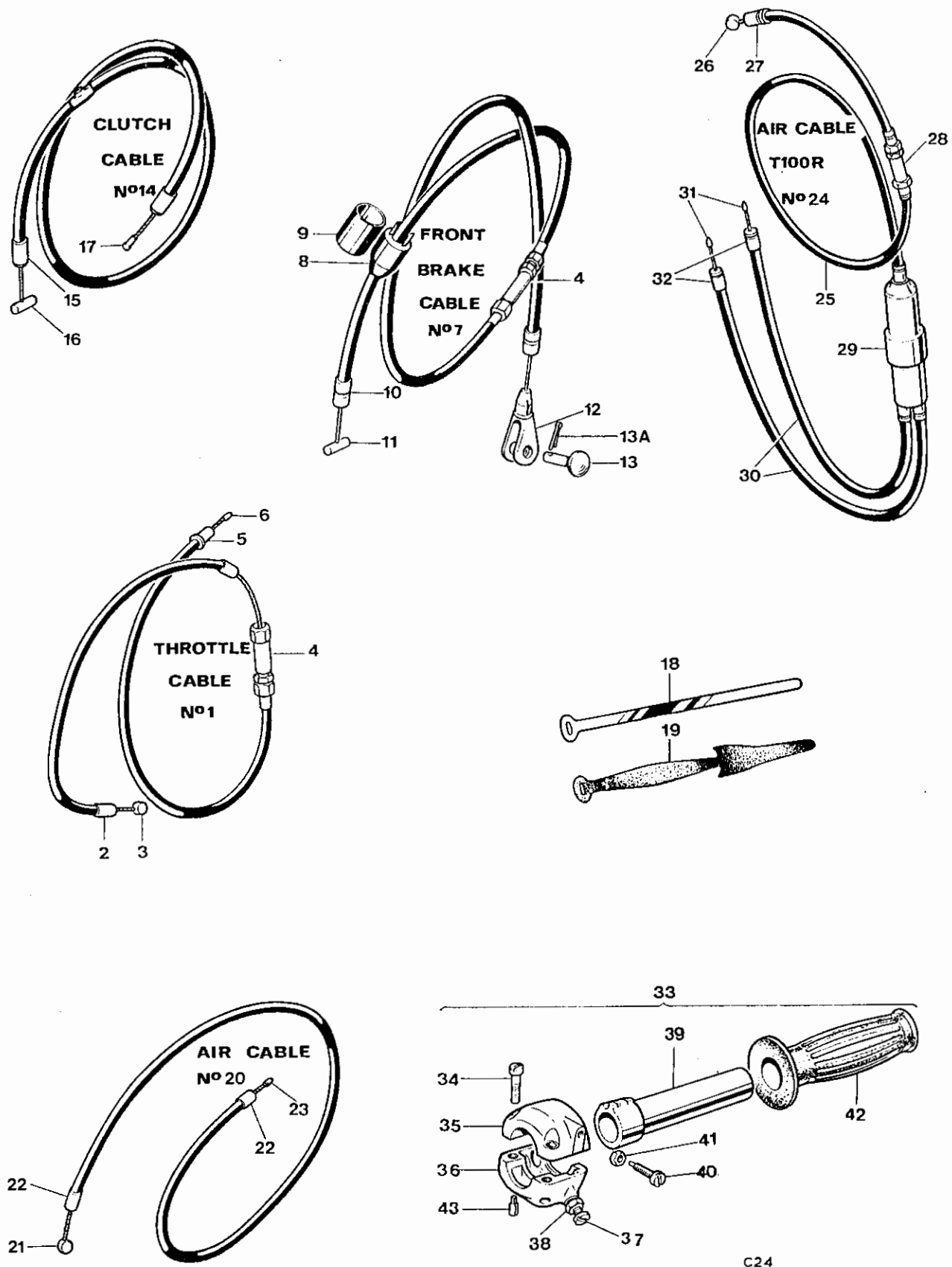


Fig. 29. CONTROL CABLES

C24

CONTROL CABLES

1	D1823	THROTTLE CABLE	1	T100C
1	D1822	THROTTLE CABLE	2	T100R
2	D101	Ferrule	3	each cable
3	D83	Nipple	1	each cable
4	D104	Adjuster	1	each cable
5	6/132A	Ferrule	1	each cable
6	NS191	Nipple	1	each cable
7	D2076	FRONT BRAKE CABLE	1	
8	D2085	Front stop switch	1	
9	D2086	Cover for switch	1	
10	D103	Ferrule	2	
11	D506	Nipple	1	
12	D638	Fork end	1	
13	WF32	Pivot pin... ..	1	
13A	—	Split pin ($\frac{1}{16}$ in. x $\frac{3}{8}$ in.)		Reference only
14	D1994	CLUTCH CABLE	1	
15	D103	Ferrule	1	
16	D506	Nipple	2	
17	DS73	Nipple	1	
18	XA69	Cable clip	9	
19	D343/7	Rubber cable clip	1	
20	D1824	AIR CONTROL CABLE	1	T100C
21	D83	Nipple	1	
22	D101	Ferrule	2	
23	NS191	Nipple	1	
24	D1820	AIR CONTROL CABLE	1	T100R
25	D1821	CABLE, LEVER TO JUNCTION BOX	1	
26	D83	Nipple... ..	1	
27	D101	Ferrule	4	
28	D104	Adjuster	1	
Not illus.	NS191	Nipple... ..	1	
29	D685	Junction box (244/104)	1	
30	D745	CABLE, JUNCTION BOX TO CARBURETOR	2	
31	NS191	Nipple... ..	2	each cable
32	D101	Ferrule	2	each cable
33	313/13	TWIN ROTOR TWIST GRIP (99-0347)	1	T100R
34	18/084	Screw (99-0251)	2	
35	313/020	Body, top half (99-0348)	1	
36	313/021	Body, bottom half (99-0349)	1	
Not illus.	16/008	Friction spring (99-0238)		Reference only
37	210/007	Adjuster screw (99-0337)		Reference only
38	5/077	Nut (99-0224)		Reference only
39	313/004	Rotor (99-0344)	1	
40	210/008	Rotor stop (99-0338)	1	
41	5/077	Nut (99-0224)	1	
42	H2125	Grip	1	
43	16/011	Cable stop (99-0241)	2	

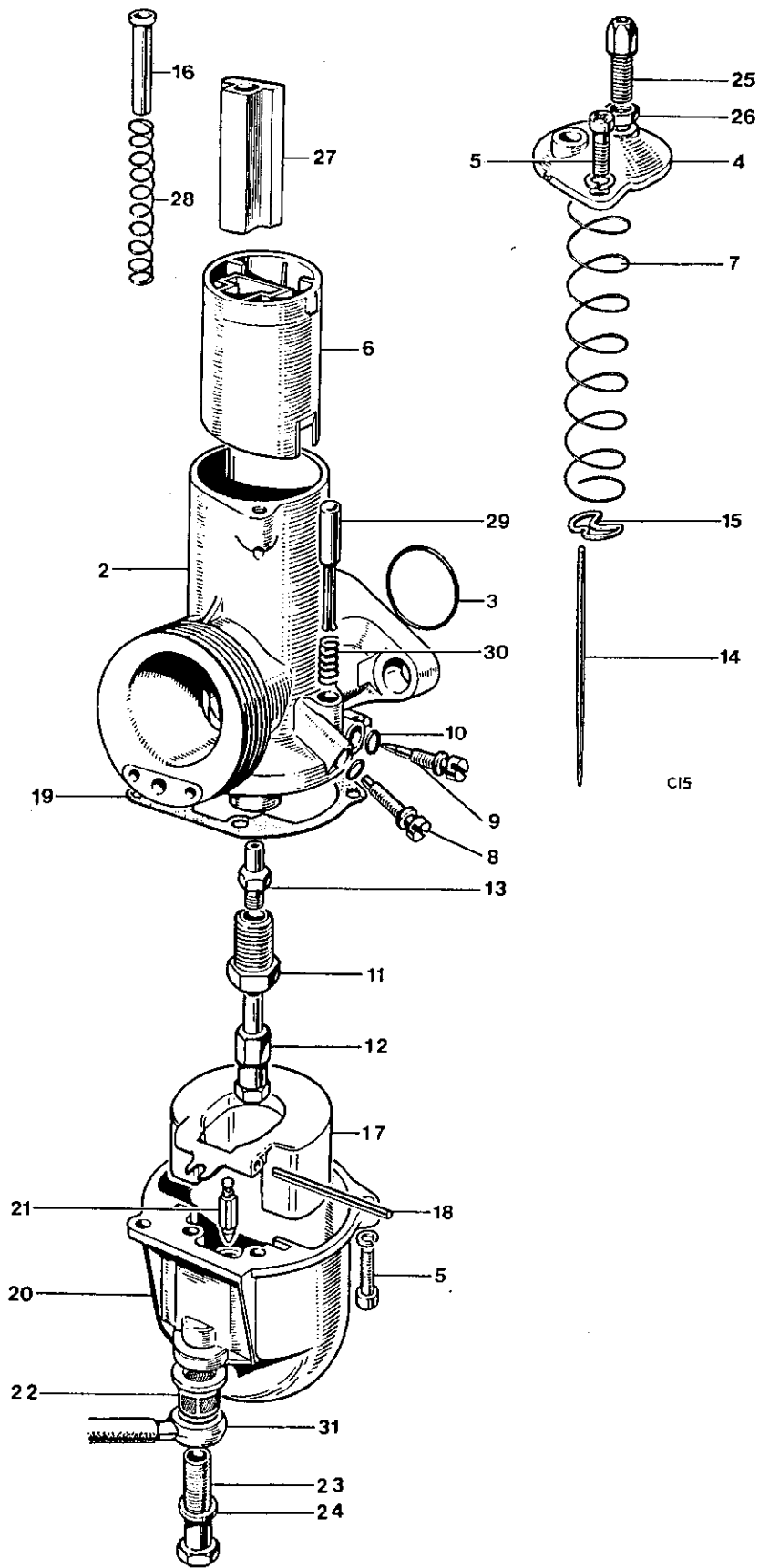


Fig. 30. CARBURETOR T100C

Ref. No.	Part No.	DESCRIPTION	QUANTITY	REMARKS
----------	----------	-------------	----------	---------

CARBURETOR, T100C

1	D774	CARBURETOR R626/8	1	
2	Reference only	Mixing chamber R626/005	1	
3	622/101	"O" ring seal (99-0522)	1	
4	622/097	Mixing chamber top (99-1049)	4	
5	622/086	Screw (99-0521)	1	
6	622/060	Throttle valve (No. 4 T100) (99-1050)	1	
7	622/065	Throttle return spring (copper plated) (99-0509)	1	
8	622/077	Throttle stop screw (99-0516)	1	
9	622/076	Air adjusting screw (99-0515)	2	
10	622/082	"O" ring (99-0520)	1	
11	622/128	Jet holder (99-1034)	1	
12	376/100	Main jet (99-0445) size .180	1	
13	622/122	Needle jet (99-1035) size .106	1	
14	622/124	Needle (99-1036)	1	
15	622/067	Needle clip (99-0510)	1	
16	622/134	Air valve guide sleeve (99-1051)	1	
17	622/069	Float (99-0512)	1	
18	622/071	Float spindle (99-0513)	1	
19	622/073	Joint washer (99-0514)	1	
20	622/050	Float chamber (99-0506)	1	
21	622/068	Float needle (99-0511)	1	
22	376/093	Filter (99-0438)	1	
23	622/078	Banjo bolt (99-0517)	1	
24	13/163	Fibre washer (99-1124)	1	
25	4/035	Cable adjuster	1	
26	5/077	Nut (99-0224)	1	
27	622/062	Air slide	1	
28	622/129	Air slide spring (99-1038)	1	
29	622/089	Tickler pin		Reference only
30	14/032	Spring		Reference only
31	F9269	Petrol pipe	1	

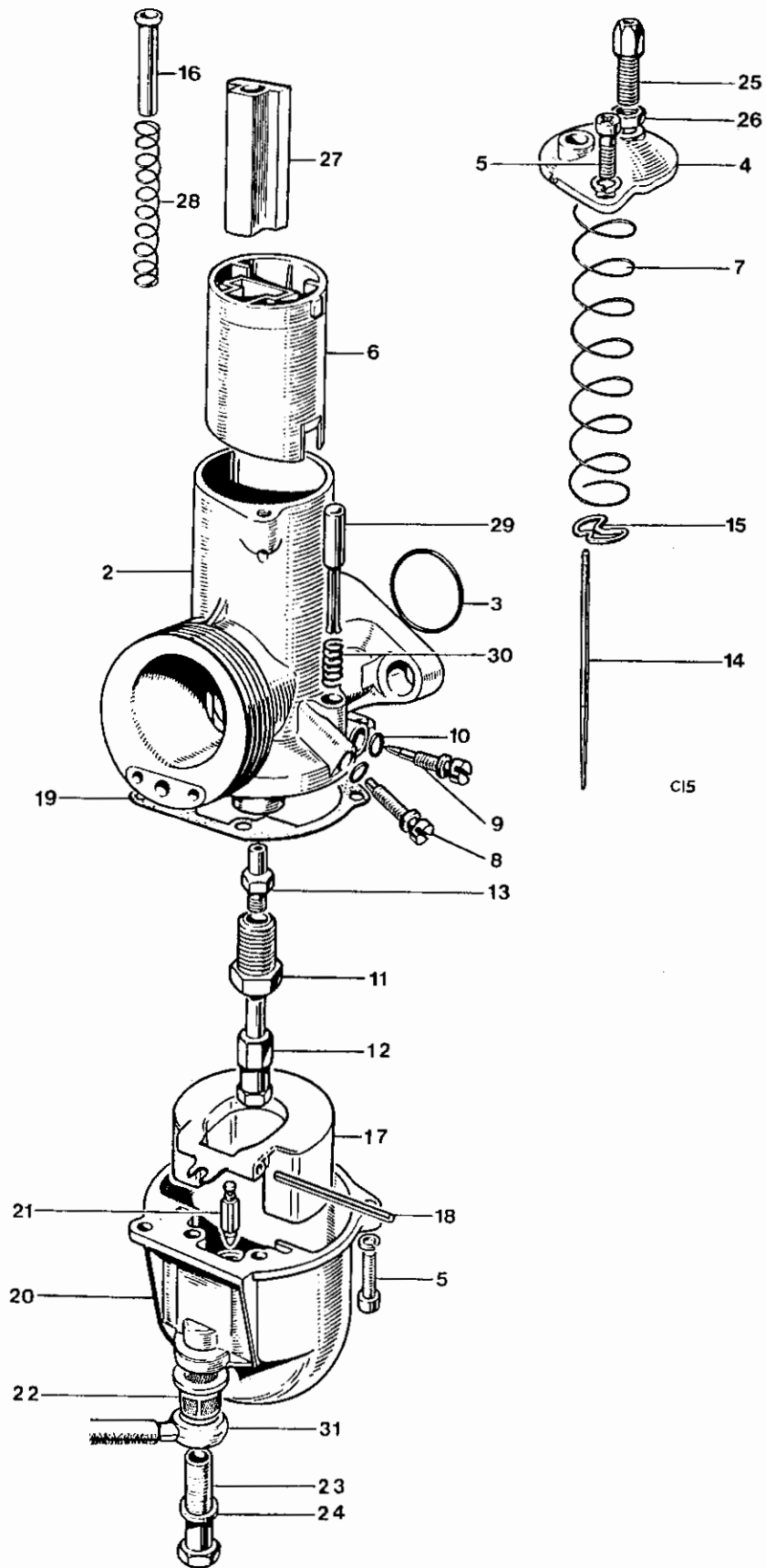


Fig. 31. CARBURETOR T100R

Ref. No.	Part No.	DESCRIPTION	QUANTITY	REMARKS
----------	----------	-------------	----------	---------

CARBURETOR, T100R

1	D775	CARBURETOR L626/9	1	Left
1	D776	CARBURETOR R626/10	1	Right
2	Reference only	Mixing chamber	1	} Carburetor
3	622/101	"O" ring seal (99-0522)	1	
4	622/097	Mixing chamber top (99-1049)	1	
5	622/086	Screw (99-0521)	4	
6	622/060	Throttle valve (3 cutaway) (99-1125)	1	
7	622/065	Throttle return spring (copper plated) (99-0509)	1	
8	622/077	Throttle stop screw (99-0516)	1	
9	622/076	Air adjusting screw (99-0515)	1	
10	622/082	"O" ring (99-0520)	2	
11	622/128	Jet holder (99-1034)	1	
12	376/100	Main jet (size 160) (99-0444)	1	
13	622/122	Needle jet (size .106) (99-1035)	1	
14	622/124	Needle (99-1036)	1	
15	622/067	Needle clip (99-0510)	1	
16	622/134	Air valve guide sleeve (99-1051)	1	
17	622/069	Float (99-0512)	1	
18	622/071	Float spindle (99-0513)	1	
19	622/073	Joint washer (99-0514)	1	
20	622/050	Float chamber (99-0506)	1	
21	622/068	Float needle (99-0511)	1	
22	376/093	Filter (99-0438)	1	
23	622/078	Banjo bolt (99-0517)	1	
24	13/163	Fibre washer (99-1124)	1	
25	4/035	Cable adjuster	1	
26	5/077	Nut (99-0224)	1	
27	622/062	Air slide	1	
28	622/129	Air slide spring (99-1038)	1	
29	622/089	Tickler pin	1	Reference only
30	14/032	Spring	1	Reference only
31	F9271	Petrol pipe	1	T100R

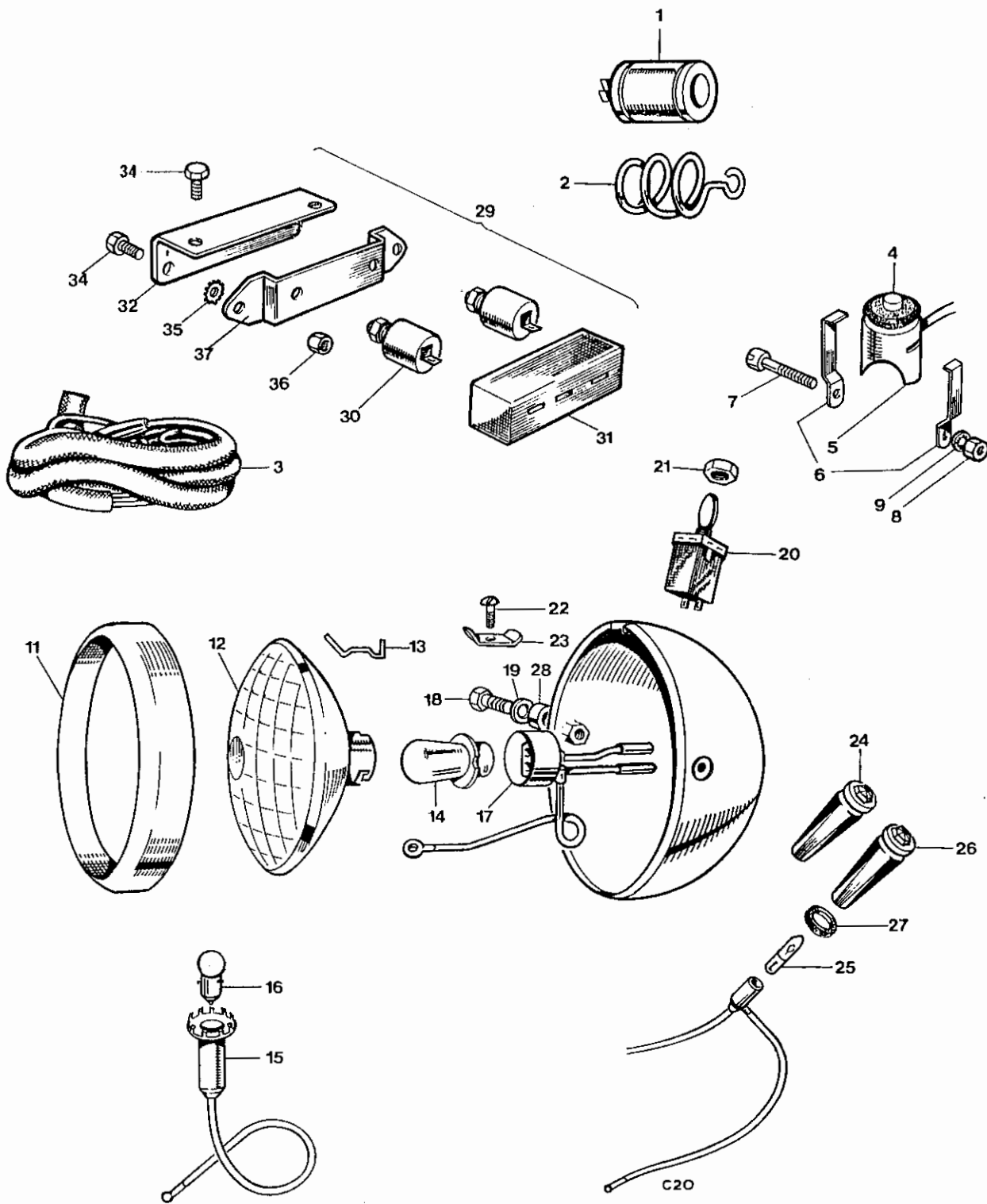


Fig. 32. T100C IGNITION CAPACITOR AND HEADLAMP

T100C IGNITION CAPACITOR AND HEADLAMP

1	54170009	Ignition capacitor (type 2MC) (99-0737)	...	Available
2	54483156	Capacitor mounting spring (99-0778)	...	Available
3	54957096	Wiring harness (99-1120)	...	1
4	35835	Kill-button, type 151SA (99-0564)	...	1
5	H2259	Cup	...	1
6	H2034	Clip	...	2
7	H687	Bolt ($\frac{3}{8}$ in. U.H.)	...	1
8	H745	Nut	...	1
9	GS299	Serrated washer	...	1
10	S9965	HEADLAMP ASSEMBLY (99-1122)	...	1
11	534343	Rim (99-0691)	...	1
12	54524526	Light unit (99-1041)	...	1
13	504665	Fixing wire (99-0683)	...	6
14	464	Bulb (40/27 W vertical dip, Pre focus 99-1042)	...	1
15	54573590	Bulbholder, pilot (99-0695)	...	1
16	989	Bulb (3W M.C.C. 99-0548)	...	1
17	554602	Adaptor c/w leads (99-1003)	...	2
18	112201	Bolt, lamp fixing (99-1004)	...	2
19	137498	Washer (99-1005)...	...	2
20	35710	LIGHTING SWITCH (99-0563)	...	1
21	153631	Nut for lighting switch	...	Reference only
22	144921	Screw	...	Reference only
23	534296	Plate (99-0690)	...	1
24	38189	Warning light, red (99-0568)	...	1
25	281	Bulb (2W BA75) (99-0537)	...	2
26	38191	Warning light, green (99-0569)	...	1
27	54140331	Sealing washer	...	Reference only
28	H2362	Distance piece	...	2

CONDENSER PACK ALL MODELS

29	47638	Condenser pack 2CP (99-0588)	...	1
30	54420128	Condenser (99-1043)	...	2
31	54418528	Cover (99-0767)	...	1
32	F8082	Condenser pack bracket	...	1
33	E4638	Screw bracket to frame	...	2
34	F10033	Bolt, condenser pack to bracket	...	2
35	GS299	Spring washer	...	2
36	F3799	Nut	...	2
37	54418526	Bracket for condenser pack	...	Reference only

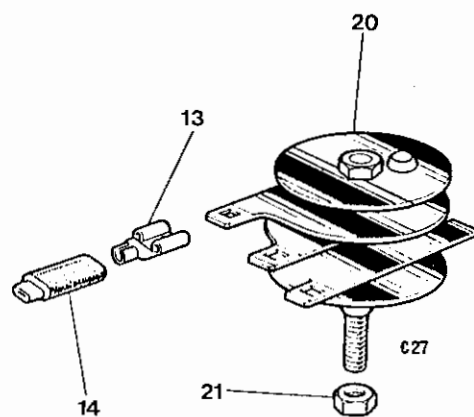
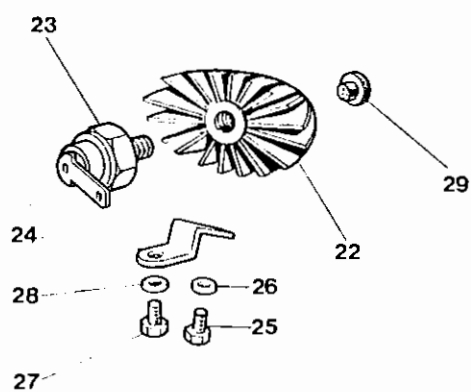
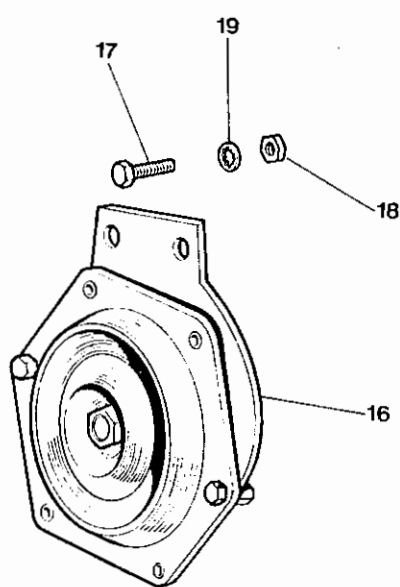
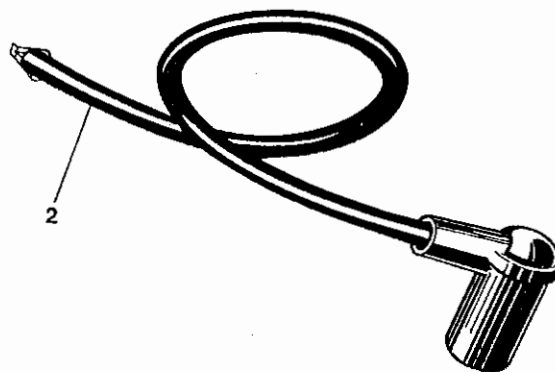
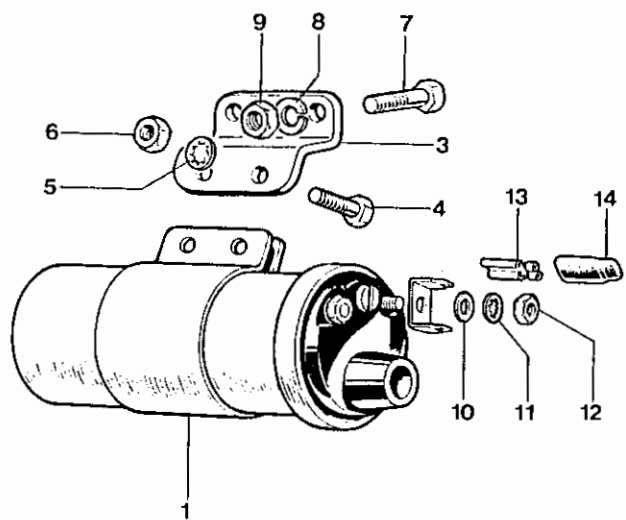


Fig. 32. IGNITION COILS, HORN, RECTIFIER AND ZENER DIODE

Ref. No.	Part No.	DESCRIPTION	QUANTITY	REMARKS
----------	----------	-------------	----------	---------

IGNITION COILS, HORN, RECTIFIER AND ZENER DIODE

1	45223	Ignition coil (D2206) Lucas type 17 M12	1	
2	D2207	H.T. cable c/w clip and grommet non-resistive	1	
3	F11533	Coil bracket	2	
4	14-0103	Bolt (Coil to bracket and bracket to bracket)	4	
5	E1612	Washer	4	
6	14-0301	Nut	4	
7	14-0114	Bolt (Coil bracket to frame)	2	
8	S26-3	Spring washer	2	
9	14-0302	Nut	2	
10	131023	Plain washer E2351	4	
11	188330	Serrated washer (GS299)	4	
12	166043	Nut (F3799)	4	
13	54942078	Lucar connector		As required
14	54190042	Insulating cover...		As required
15	N3	Champion sparking plug	2	
16	F7552	Horn (Clearhooter 27899)	1	
17	F4771	Screw ($\frac{3}{8}$ in. U.H.)	2	
18	F3799	Nut	3	
19	GS299	Serrated washer	3	
20	49072	Rectifier, type 2DS 506 (99-0589)	1	
21	F5338	Nut	1	
22	H2237	Heat sink	1	
23	49345	Zener Diode (99-0590)	1	
24	H2365	Heat sink bracket	1	
25	14-6102	Bolt	1	
26	S26-2	Washer	1	
27	14-0113	Bolt, bracket to fork lug	1	
28	S26-3	Washer	1	
29	H2275	Plug, heatsink	1	

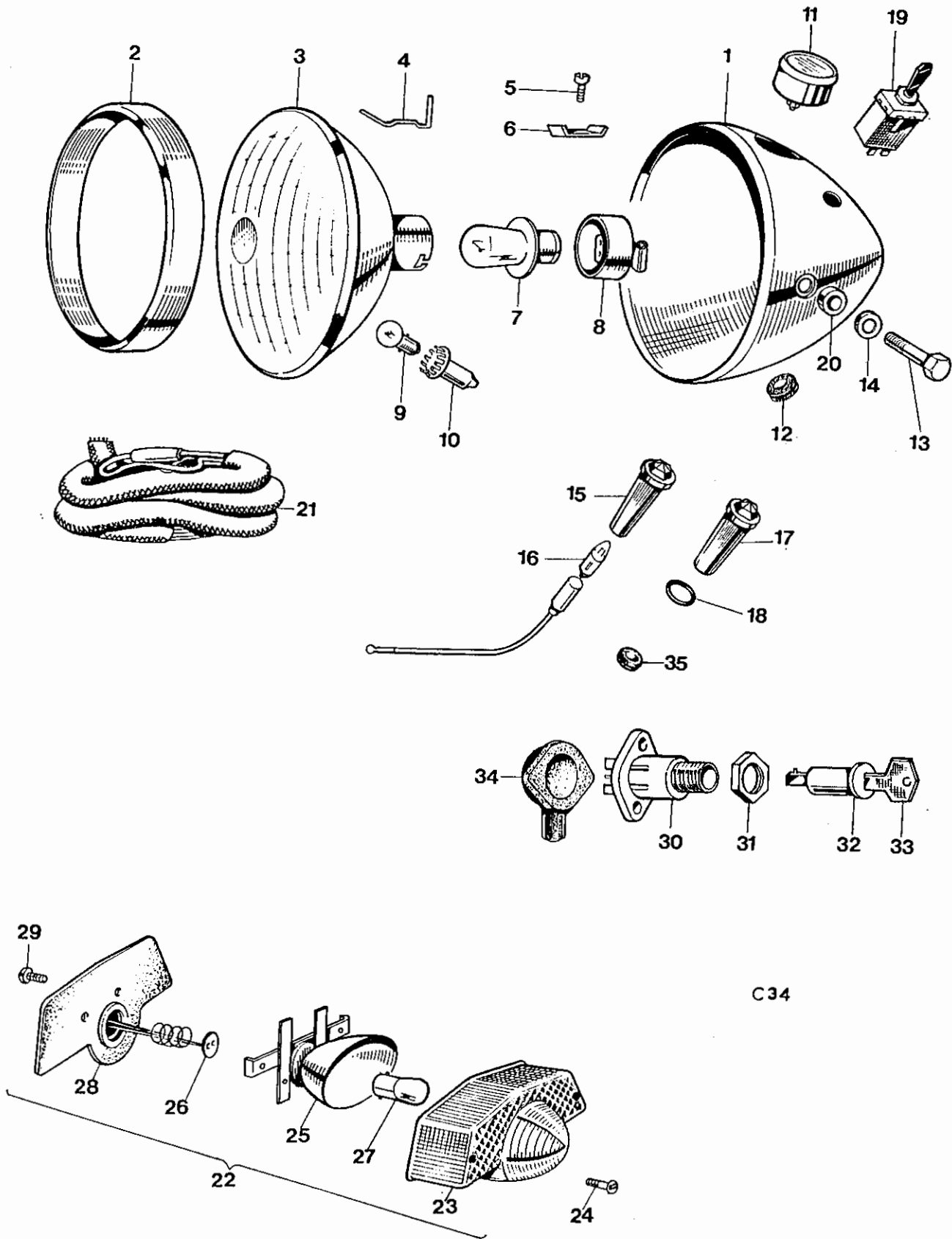


Fig. 33. HEADLAMP, WIRING HARNESS, SWITCHES AND TAIL LAMP

Ref. No.	Part No.	DESCRIPTION	QUANTITY	REMARKS
----------	----------	-------------	----------	---------

HEADLAMP, WIRING HARNESS, SWITCHES AND TAIL LAMP

1	D2245	HEADLAMP COMPLETE SS700P, 59969	1	
2	553248	Rim (99-0692)	1	
3	516798	Light unit (99-0686)	1	
4	504665	Fixing wire (99-0683)	6	
5	144921	Screw		Reference only
6	534296	Plate (99-0690)	1	
7	446	Bulb (50/40W Vert dip Pre-focus) (99-0545)	1	
8	554602	Main bulbholder (99-1003)	1	
9	989	Bulb (3W M.C.C.) (99-0548)	1	
10	54573590	Pilot bulbholder (99-0695)	1	
11	36403	Ammeter, type 2AR (99-1044)	1	
12	862217	Grommet		Reference only
13	112201	Bolt (99-1004)	2	
14	137498	Plain washer (99-1005)	2	
15	38189	Warning light body (Red) (99-0568)	1	
16	281	Bulb (2W BA7S) (99-0537)	1	
17	38191	Warning light body (Green) (99-0569)	1	
18	54140331	Sealing washer		Reference only
19	35710	Lighting switch, type 57SA (99-0563)	1	
20	H1932	Distance piece	2	
21	54957095	Wiring harness (99-1121)	1	
22	53973	STOP AND TAIL LAMP, Type L679 (99-0597)	1	
23	54577109	Lens (99-1046)	1	
24	144921	Screw		Reference only
25	54578213	Bulb holder with reflector (99-1123)	1	
26	573828	Contact assembly (99-0701)	1	
27	380	Bulb (6/21 W Offset pin) (99-0542)	1	
28	54571677	Gasket	1	
29	110714	Screw		Reference only
30	31899	IGNITION SWITCH, TYPE S45 (99-0558)	1	
31	54130041	Nut (99-1000)	1	
32	F6981	IGNITION LOCK c/w KEYS	1	
33	D622	Ignition key (state serial number)		As required
34	H2262	Ignition switch cover	1	
35	199001	Grommet for tail lamp lead	1	

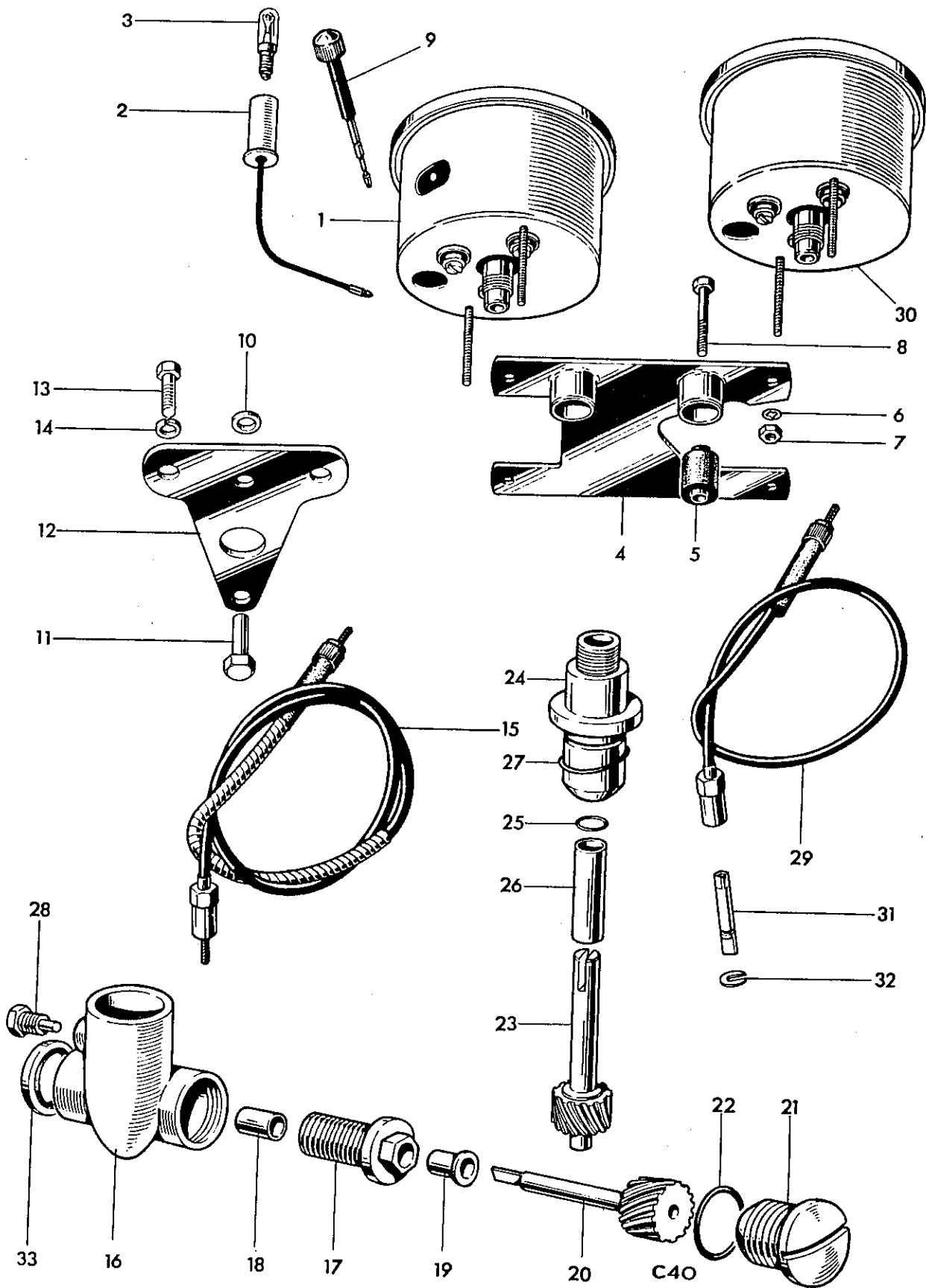


Fig. 34. SPEEDOMETER AND TACHOMETER

SPEEDOMETER AND TACHOMETER

1	SSM5001/00	Speedometer head MPH (99-0159)	1	
1	SSM5001/01	Speedometer head KPH (99-0160)	1	Alternative
2	554710	Bulb holder (99-0695)	1	
3	643	Bulb, 3.W. M.E.S.	1	
4	H1946	MOUNTING BRACKET	1	} T100R (Can be fitted to T100C)
5	H1929	Metalastik bush	2	
6	30-282-014-11	Washer	2	
7	30-276-037-11	Nut	2	
8	S590	Bolt (1 $\frac{3}{8}$ in. U.H.)	2	
9	41-148-203	Trip control	1	} T100C
10	H1702	Distance piece	2	
11	H1701	Sleeve nut	2	
12	H2138	Bracket	1	} Smiths DF9110/00
13	14-0101/001	Bolt ($\frac{1}{2}$ in. U.H.)	2	
14	S26-2	Spring washer	2	} T100R (Can be fitted to T100C)
15	D692	Speedometer cable (63 ins. long) (D692W inner only) ...	1	
16	E9438	TACHOMETER GEARBOX (Body E5757)	1	
17	E9332	Securing screw (Left hand thread) UNF	1	
18	E5156	Bush	1	
19	Reference only	Flanged bush	1	
20	E5157	Driving gear	1	
21	E5759	End cap	1	
22	E6300	"O" ring	1	
23	E5578	Driven gear	1	
24	E6122	Driven gear housing	1	
25	E6299	"O" ring	1	
26	Reference only	Bush	1	
27	E3309	"O" ring	1	
28	E5881	Set screw	1	
29	D648	Tachometer cable (26 $\frac{1}{2}$ in. long)	1	
30	RSM3003/01	Tachometer (99-0166)	1	
31	31-371-398	Spade (99-0173)	1	
32	D494	Circlip	1	
33	E7351	Sealing washer	1	

Printed in England by
WARWICK PRINTING COMPANY LIMITED
WARWICK