

# TRIUMPH

## REPLACEMENT PARTS CATALOGUE

FOR 1974

### DAYTONA (T100R)

Part No 99-2254

TRIUMPH ENGINEERING COMPANY LIMITED  
MERIDEN WORKS · ALLESLEY · COVENTRY CV5 9AU · ENGLAND

TELEPHONE COVENTRY (0203)20221  
MERIDEN 331

TELEGRAMS "TRUSTY" COVENTRY  
TELEX "TRUSTY" 31305

## INTRODUCTION

The Triumph Engineering Co. Ltd. point out that the information contained in this catalog was complete and correct at the time of printing. Distributors will be informed of any subsequent alterations.

### GUARANTEE

Please refer to your local dealer or distributor for the latest terms of guarantee.

#### EASTERN U.S.A. DISTRIBUTOR:

Triumph Motorcycle Corporation,  
P.O. Box 6790,  
Towson,  
Baltimore 4,  
Maryland 21204.

Telex—Tricor Balt. 87728  
Telephone—301-252-1700

#### WESTERN U.S.A. DISTRIBUTOR:

Triumph Motorcycle Corporation,  
P.O. Box 275,  
East Huntington Drive,  
Duarte,  
California 91010.

Telex—Tricor Duarte 675469  
Telephone—213-359-3221  
213-681-0255

### ENGINE AND FRAME NUMBERS

The engine number is located on the left side of the engine, immediately below the cylinder barrel to crankcase flange.

The frame number is located on the left side of the frame headlug, beneath the fork top lug and forward of the gasoline tank.

Both the engine and frame number should be quoted in full in any correspondence relating to the machine.

©  
Copyright

All rights reserved. No part of this publication may be reproduced without permission.

# INDEX

	Page		Page
AIR FILTER ... ..	59	HEADLAMP ... ..	67
ALTERNATOR ... ..	9, 31	HEAT SINK ... ..	65
AUTO-ADVANCE UNIT ... ..	21	HORN ... ..	65
BATTERY CARRIER ... ..	59	KICKSTARTER ... ..	27
BRAKE SWITCHES ... ..	39	MANIFOLD ... ..	15
BREATHER PIPES ... ..	57	MUFFLERS ... ..	33
CAMSHAFT, INLET AND EXHAUST	9	OIL PUMP ... ..	13
CARBURETOR ... ..	17	OIL TANK ... ..	57
CARTON PACKS ... ..	7	OIL PIPES ... ..	57
CENTRE STAND ... ..	37	 	
CHAINS ... ..	31	PISTONS ... ..	9
CHAINCASE ... ..	31	PROP STAND ... ..	37
CLUTCH ... ..	29	PUSH RODS ... ..	19
CLUTCH LEVER ASSEMBLY ... ..	27	 	
COIL ... ..	65	REAR WHEEL ... ..	47
CONNECTING RODS ... ..	9	RECTIFIER ... ..	65
CONTACT BREAKER... ..	21	REFLECTORS ... ..	49, 55
CONTROL CABLES ... ..	63	ROCKERS ... ..	19
CONTROL LEVERS ... ..	61	 	
CRANKCASE ... ..	11	SIDE PANEL ... ..	53
CRANKSHAFT ... ..	9	SPARKING PLUG ... ..	65
CYLINDERS ... ..	19	SPEEDOMETER ... ..	69
CYLINDER HEAD ... ..	19	SPEEDOMETER GEARBOX ... ..	47
 		STEERING DAMPER ... ..	61
ENGINE PLATES ... ..	35	STEERING RACES ... ..	37
ENGINE TORQUE STAY ... ..	35	SUSPENSION UNITS ... ..	39
EXHAUST PIPES ... ..	33	SWINGING ARM ... ..	39
EXHAUST PIPE ADAPTOR ... ..	19	SWITCHES ... ..	61, 67
FENDERS ... ..	49	TABLE OF STANDARD HARDWARE	70
FLASHERS ... ..	67	TACHOMETER ... ..	69
FOOTRESTS ... ..	37	TACHOMETER GEARBOX ... ..	69
FRAME ... ..	37	TAIL LAMP ... ..	51
FRONT FORKS ... ..	41, 43	TAPPETS ... ..	19
FRONT WHEEL ... ..	45	TIMING GEARS ... ..	9
FUSE ASSEMBLY ... ..	59	TOOLKIT ... ..	59
 		TWIN SEAT ... ..	53
GAS TANK ... ..	55	 	
GASKET SET ... ..	7	VALVES ... ..	19
GEARBOX ... ..	23, 25, 27	VALVE GUIDES ... ..	19
HANDLEBARS ... ..	61	WIRING HARNESS ... ..	67
HANDLEBAR MOUNTINGS ... ..	61	ZENER DIODE ... ..	65



## HOW TO USE THIS PARTS CATALOG

First consult the index on Page 3 for the parts or group of parts which you wish to locate. When you have located the parts make sure from the end columns that the part you have located does apply to your machine.

List the quantities required as single units; do not ask for "2 pairs" or "3 dozen".

In case of painted items always state the colour required. Painted parts are available only in the colours or alternatives specified for that model of that particular year.

### COLOR

Gas Tank	...	...	...	...	Argosy Blue/Ice White
Fenders	...	...	...	...	Chrome
Side Panels	...	...	...	...	Black

N.B. It is important to state year and model of machine when ordering painted components.

### PLEASE NOTE

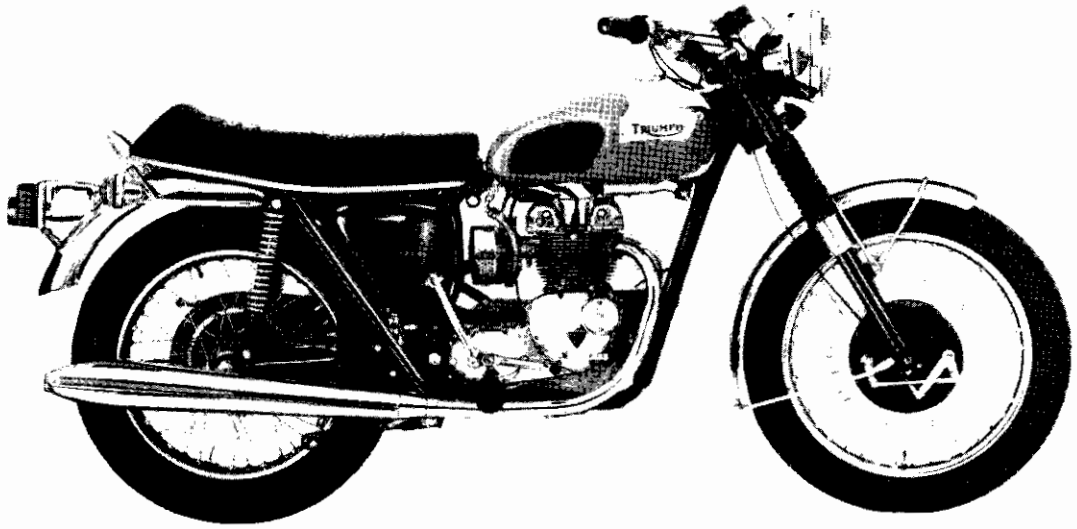
THROUGHOUT THIS LIST, ASSEMBLIES ARE PRINTED IN CAPITALS AND THE COMPONENTS INCLUDED IN THAT ASSEMBLY ARE INDENTED IN THE DESCRIPTION COLUMN, REVERTING TO THE ORIGINAL ALIGNMENT WHEN THE ASSEMBLY IS COMPLETE. TO ORDER THE COMPLETE ASSEMBLY IT IS NECESSARY ONLY TO QUOTE THE ASSEMBLY NUMBER. ANY COMPONENT PARTS LISTED MAY ALSO BE OBTAINED SEPARATELY IF REQUIRED.

### SPECIAL WORKSHOP TOOLS

A COMPLETE LIST OF WORKSHOP TOOLS CAN BE MADE AVAILABLE BY EITHER CONTACTING YOUR DEALER OR APPLYING DIRECT TO THE TRIUMPH SERVICE DEPARTMENT. IN MOST CASES THESE TOOLS ARE VERY COSTLY AS THEY ARE MADE ENTIRELY FOR WORKSHOP USE, AND THEREFORE, IT IS NOT RECOMMENDED THAT THE PRIVATE OWNER PURCHASES THE TOOLS IN ORDER TO AID SERVICING THE MACHINE ONCE OR TWICE ONLY. IN THESE CIRCUMSTANCES IT IS FAR MORE ECONOMICAL TO GET IN TOUCH WITH A RECOGNISED DEALER.

### UNIFIED THREAD FORM

NEW PARTS HAVING THREADED FIXINGS INTRODUCED IN THIS CATALOGUE HAVE THE UNIFIED FORM OF SCREW THREADS. THIS CHANGEVER WILL BE CONTINUED AS AND WHEN NEW PARTS ARE INTRODUCED. EVEN WHERE PARTS ARE SIMILAR IN APPEARANCE NEW PART NUMBERS WILL BE ALLOCATED TO IDENTIFY THE UNIFIED THREADS. ALL NUTS, BOLTS AND STUDS HAVING THIS THREAD ARE IDENTIFIED BY MARKINGS. BOLTS HAVE A CIRCULAR RECESS IN THEIR HEADS, STUDS A CIRCULAR GROOVE ON THE END, AND NUTS HAVE INTERLOCKING CIRCLES ON THE SIDE.



### TIGER 100 (T100R) TECHNICAL DATA

Bore and Stroke		2.716 × 2.578 ins.
Capacity		30 cu. ins.
Compression Ratio		9 : 1
Spark Plugs		Champion N4
Carburetor		Amal Concentric
	Main Jet	150
	Needle Jet	.106
	Needle	Standard
	Throttle Valve	No. 3
Gearbox Sprocket		19 teeth
Chains	Front	$\frac{3}{8}$ in. Duplex × 78 links
	Rear	$\frac{5}{8}$ in. × $\frac{3}{8}$ in. × 103 links
Capacities	Gas Tank	2 $\frac{1}{4}$ U.S. Galls.
	Oil Tank	6 U.S. pints
	Gearbox	2/3 pint (375 c.c.)
	Primary Chaincase (Initial fill)	$\frac{1}{4}$ pint (150 c.c.)
	Front Forks (each leg)	$\frac{1}{2}$ pint (200 c.c.)
Brakes	Front, diameter	8 in. (20.32 cm.)
	Rear, diameter	7 in. (17.18 cm.)
Tire Size	Front	3.25 × 19
	Rear	400 × 18

## CARTON PACK LIST

The following sub-assemblies are supplied in carton packs under the part number stated. The contents of these carton packs are preserved and will not deteriorate under adverse conditions.

### PISTONS (c/w rings, gudgeon pins and circlips)

70-6906	7.0 : 1 C.R.	500 c.c.	Low grade fuel
70-6884	9 : 1 C.R.	500 c.c.	Standard
70-7603	7.5 : 1 C.R.	500 c.c.	Available

All piston assemblies are available in 0.010 in., 0.020 in., 0.040 in., oversizes (0.25 mm., 0.5 mm., 1.0 mm.).

### BRAKE LININGS

99-0001	2	37-4203	Brake lining
	16	37-0129	Rivet
99-3769	2	37-1734	Brake lining
	16	37-0129	Rivet

### VALVE SPRINGS

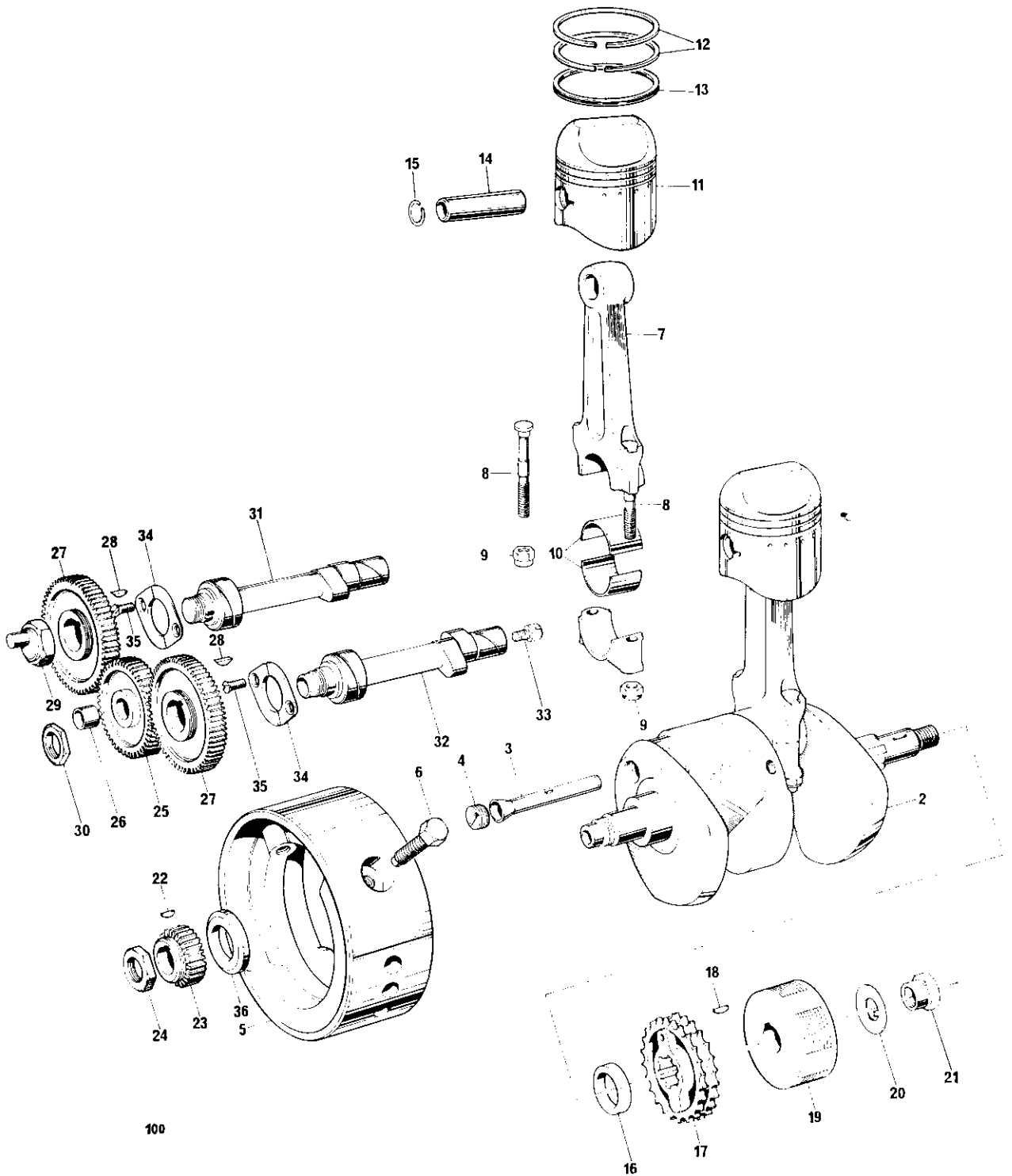
99-3754	4	70-5946	Inner valve spring
	4	70-4011	Outer valve spring

### STEERING HEAD RACES

99-3733	2	97-0111	Cup
	1	97-0439	Cone
	1	97-1018	Top cone
	40	60-2364	Ball

### GASKET SETS

Decoke	99-1128
Overhaul	99-1167



**Fig 1. CRANKSHAFT AND CONNECTING RODS**



### CRANKSHAFT AND CONNECTING RODS

1	70-9489	CRANKSHAFT AND FLYWHEEL ASSEMBLY ... ..	1	
2	70-9490	CRANKSHAFT ... ..	1	
3	70-3999	Oil tube ... ..	1	
4	70-9492	Screwed plug ... ..	1	
5	70-5870	Flywheel ... ..	1	
6	*21-1913	Flywheel bolt (1 $\frac{1}{2}$ in. U.H.) ... ..	3	
7	70-9915	CONNECTING ROD ... ..	2	
8	70-9914	Connecting rod bolt ... ..	2	
9	60-3761	Self-locking nut ... ..	2	
10	70-3706	Big end bearing (available in —.010 and —.020 undersizes)	4	
11	70-6884	PISTON COMPLETE C.R. 9.1 ... ..	2	
12	70-6893	Taper compression ring ... ..	4	
13	70-6894	Oil control ring ... ..	2	
14	70-6861	Gudgeon pin ... ..	2	
15	70-6869	Circlip ... ..	4	
16	71-2664	Spacer ... ..	1	
17	70-3734	Engine sprocket, 26T Duplex ... ..	1	
18	70-3851	Rotor key ... ..	1	
19	54213901	Rotor (99-0739) ... ..	1	
20	70-3975	Tab washer ... ..	1	
21	21-1915	Nut ... ..	1	
22	70-1580	Key ... ..	1	
23	70-1771	Timing pinion ... ..	1	
24	21-1914	Nut ... ..	1	
25	70-6160	INTERMEDIATE WHEEL ... ..	1	
26	70-0400	Bush ... ..	1	
27	71-2717	Camshaft pinion ... ..	2	
28	70-1558	Camshaft key ... ..	2	
29	71-1007	Inlet camshaft nut ... ..	1	
30	70-6523	Exhaust camshaft nut ... ..	1	
31	71-1064	Inlet camshaft ... ..	1	
32	70-9984	EXHAUST CAMSHAFT ... ..	1	
33	70-9988	Tachometer drive plug ... ..	1	
34	70-9502	Retaining plate ... ..	2	
35	21-1879	Screw ... ..	4	
36	70-9503	Clamping washer ... ..	1	
Not illus.	70-8038	Shim (0.010") ... ..	As required	} up to 4
Not illus.	71-2660	Shim (0.030") ... ..	As required	

\*Use 60-0524 Loctite sealant

### ALTERNATIVE FITMENTS (NOT U.S.A.)

70-7603	Piston complete C.R. 7.5:1 ... ..	2
---------	-----------------------------------	---

10

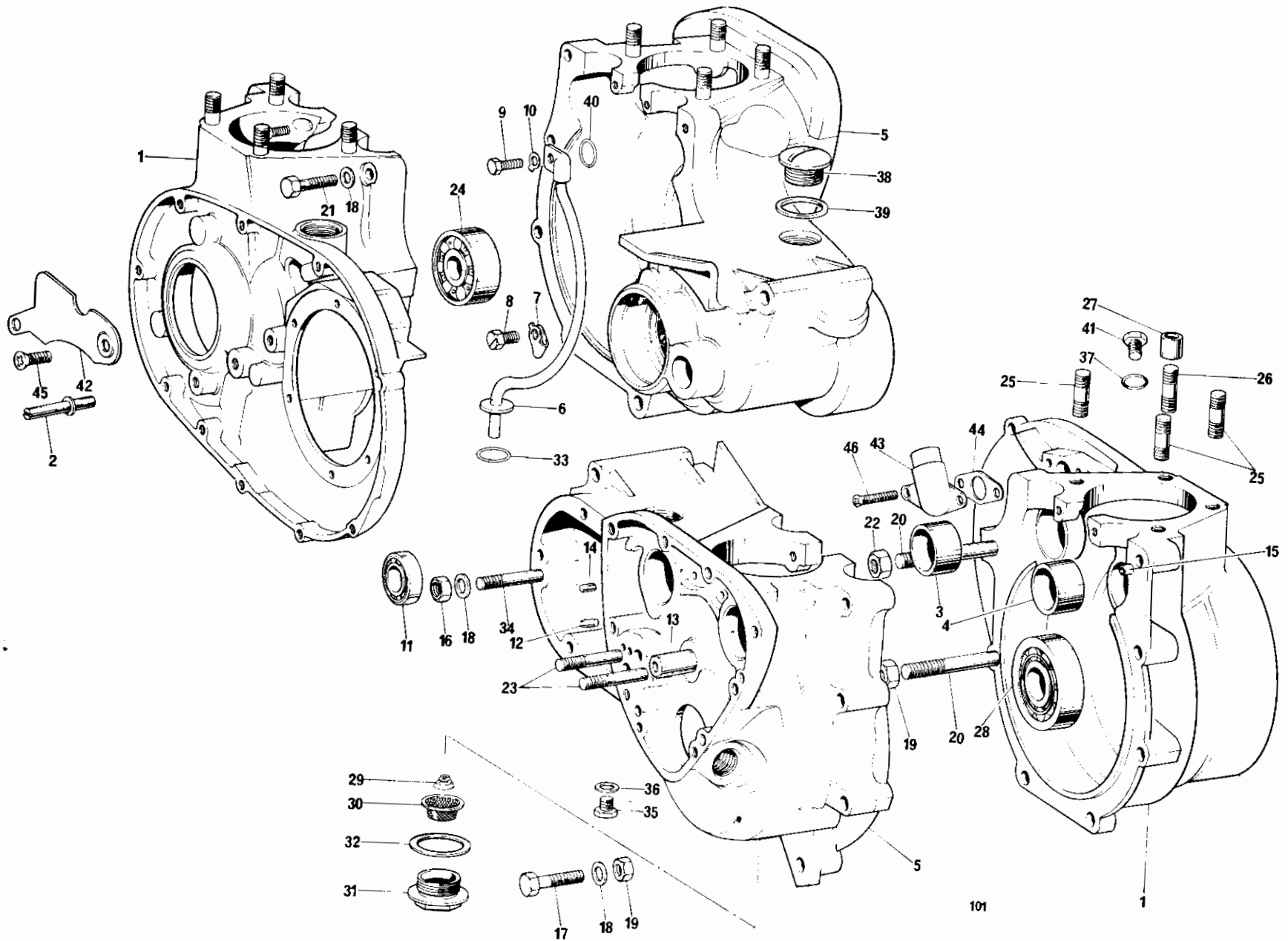


Fig. 2. CRANKCASE

Ref. No.	Part No.	DESCRIPTION	QUANTITY	REMARKS
<b>CRANKCASE</b>				
1	71-1268	CRANKCASE DRIVE SIDE ... ..	1	
2	70-4147	Pivot pin ... ..	1	
3	70-3823	Camshaft bush ... ..	1	
4	70-3823	Camshaft bush ... ..	1	
5	71-1269	CRANKCASE TIMING SIDE ... ..	1	
6	70-9496	Oil scavenge pipe ... ..	1	
7	70-1509	Clip ... ..	1	
8	21-1920	Screw ... ..	1	
9	14-6102	Bolt ... ..	1	
10	70-7430	Tab washer ... ..	1	
11	57-1606	Needle roller bearing ... ..	1	
12	70-6386	Dowel at junction block ... ..	1	Ref. only
13	70-0375	Idler gear spindle ... ..	1	
14	57-0912	Peg (at thrust washer) ... ..	1	
15	70-3716	Hollow dowel ... ..	2	
16	14-0302	Nut ... ..	1	
17	14-0225	Bolt ... ..	1	
18	21-2503	Plain washer ... ..	5	
19	14-1302	Nut ... ..	2	
20	21-1925	Stud (3 $\frac{3}{4}$ in. U.H.) ... ..	2	
21	21-1919	Bolt ... ..	1	
22	21-1852	Nut ... ..	1	
23	21-1864	Oil pump stud (1 $\frac{5}{16}$ in. O.A.) ... ..	2	
24	70-9494	Right main bearing (ball journal) ... ..	1	
25	21-1921	Cylinder base stud (1 $\frac{1}{2}$ in. O.A.) ... ..	6	
26	21-1922	Cylinder base stud (1 $\frac{1}{16}$ in. O.A.) ... ..	2	
27	70-8751	Dowel ... ..	2	
28	70-9493	Left main bearing (roller journal) ... ..	1	
29	70-3724	Filter spring ... ..	1	
30	70-3722	Filter ... ..	1	
31	70-9501	Filter cap ... ..	1	
32	70-1577	Joint washer ... ..	2	
33	70-3723	Sealing washer ... ..	1	
34	21-1927	Stud (3 $\frac{1}{16}$ in. O.A.) ... ..	2	
35	21-1872	Drain plug ... ..	1	
36	57-1257	Joint washer ... ..	1	
37	70-8896	Fibre washer ... ..	1	
38	57-2166	Filler plug ... ..	1	
39	70-8782	Joint washer ... ..	1	
40	70-7431	"O" ring ... ..	1	
41	21-1872	Plug ... ..	1	
42	71-1079	Cover plate ... ..	1	
43	71-4044	Outlet stub-breather ... ..	1	
44	71-1460	Joint washer ... ..	1	
45	71-1077	Screw ... ..	2	
46	71-1075	Screw ... ..	1	
Not illus.	70-4707	Grommet, alternator leads ... ..	1	

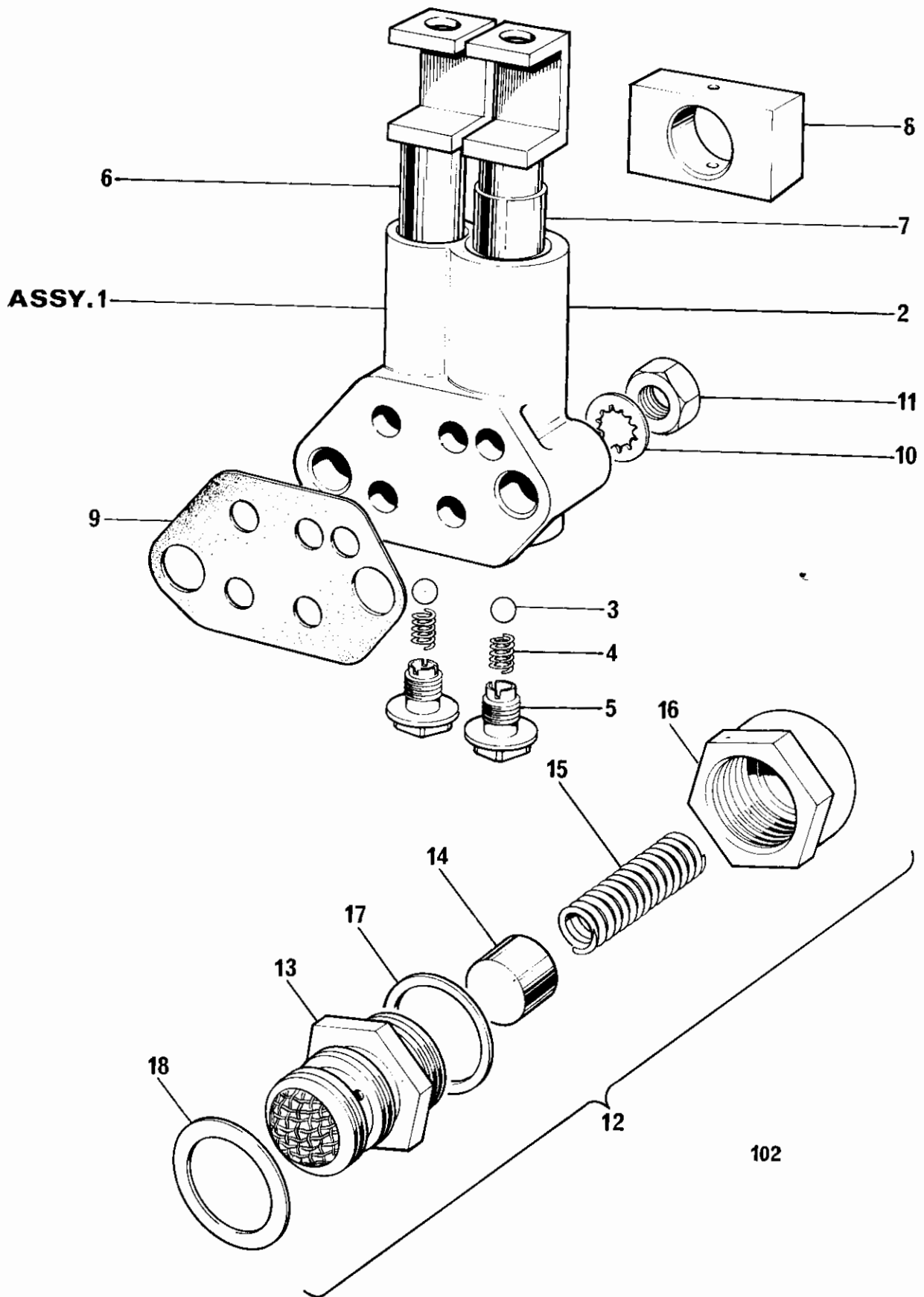


Fig. 3. OIL PUMP AND RELEASE VALVE

**OIL PUMP AND RELEASE VALVE**

1	70-6928	OIL PUMP ... ..	1	
2	70-6680	Pump body ... ..	Reference only	
3	60-2363	Valve ball ... ..	2	
4	70-0403	Valve spring ... ..	2	
5	70-2360	Screwed plug ... ..	2	
6	71-3422	Feed plunger ... ..	1	
7	70-6681	Scavenge plunger ... ..	1	
8	70-0495	Drive block ... ..	1	
9	71-1461	Joint washer ... ..	1	
10	70-3887	Serrated washer ... ..	2	
11	21-1906	Nut ... ..	2	
12	71-3447	OIL PRESSURE RELEASE VALVE ... ..	1	
13	70-7590	Body ... ..	Reference only	
14	70-8752	Piston ... ..	1	
15	70-7591	Spring ... ..	1	
16	70-6596	Cap ... ..	1	
17	70-8754	Joint washer (cap to body) ... ..	1	
18	70-1670	Joint washer ... ..	1	

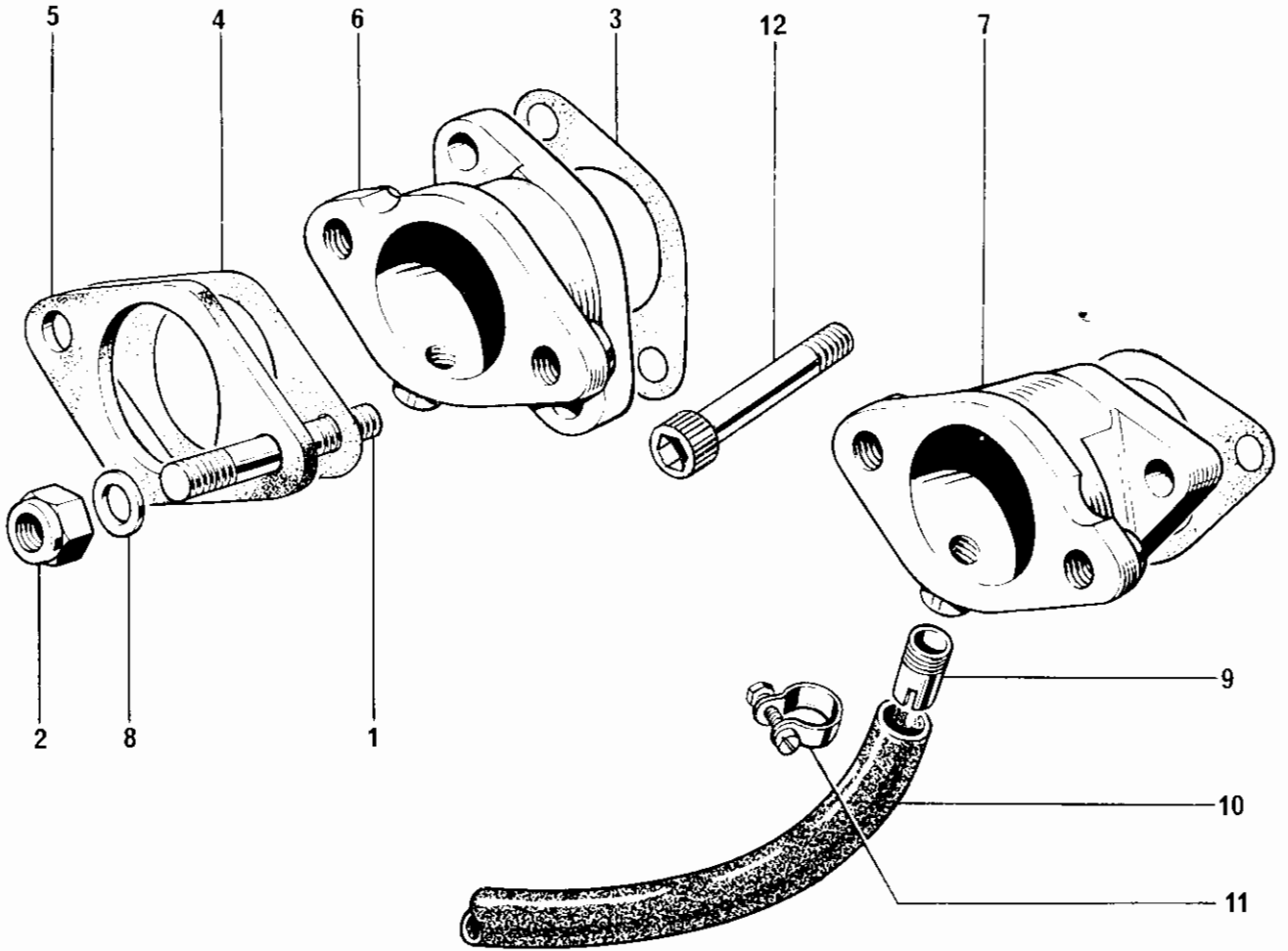


Fig. 4. INLET MANIFOLDS

**INLET MANIFOLD**

1	21-0582	Stud (1- $\frac{5}{16}$ in. U.H.)	4	
2	14-1302	Self locking nut	4	
3	70-6772	Joint washer, manifold	2	
4	71-1459	Joint washer, insulating block	2	
5	70-2968	Insulating block	2	
6	70-7136	Left manifold	1	
7	70-7137	Right manifold	1	
8	60-4247	Plain washer	4	
9	70-6916	Connector	2	
10	70-6958	Balance pipe	1	
11	70-5473	Clip	2	
12	14-7019	Socket head screw	4	

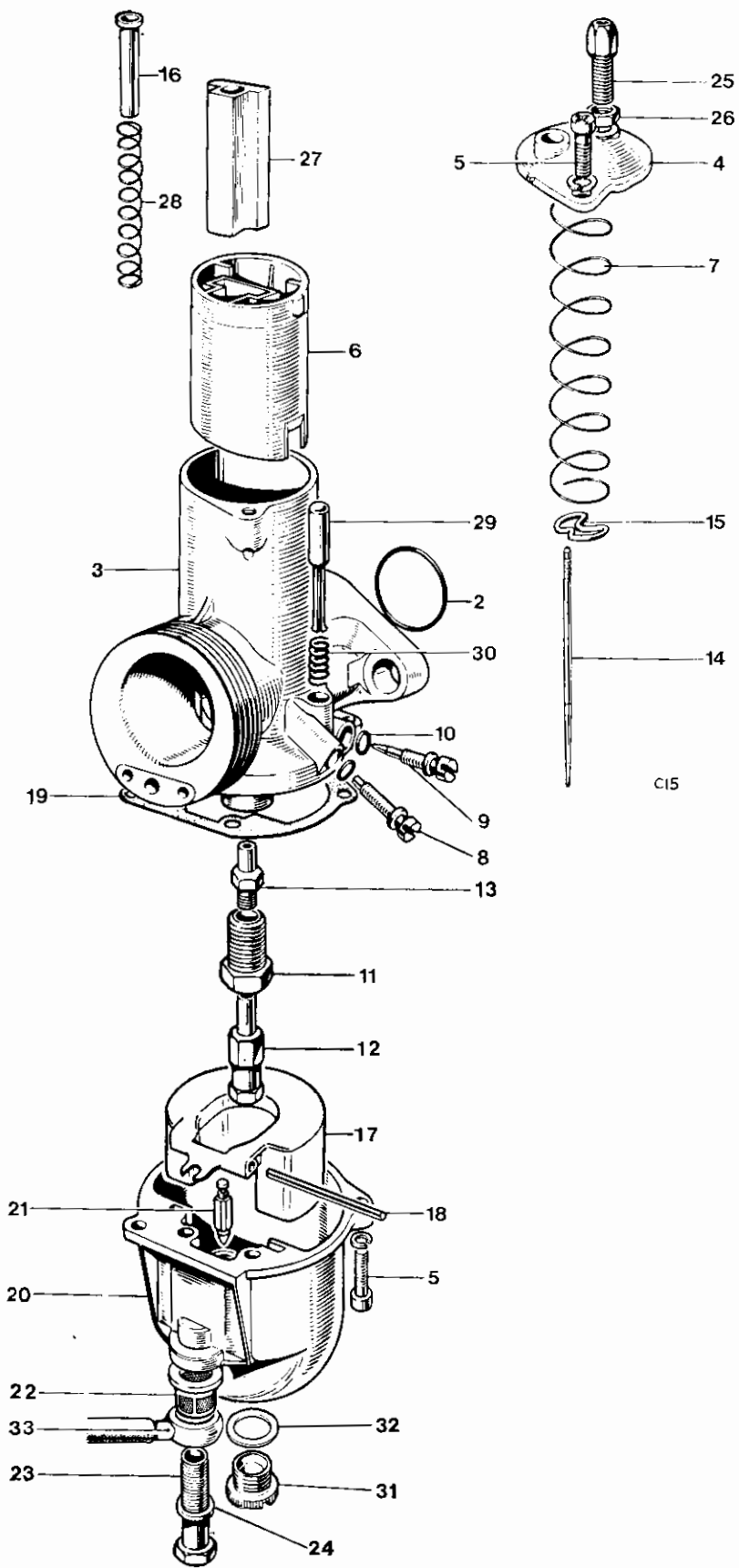


Fig. 5. CARBURETOR



**CARBURETOR**

1	60-3967	CARBURETOR L626/65—L.H. ... ..	1	
1	60-3968	CARBURETOR R626/64—R.H. ... ..	1	
2	622/101	"O" ring seal (99-0522) ... ..	1	} Each carburetor
3	Reference only	Mixing chamber ... ..	1	
4	622/097	Mixing chamber top (99-1049) ... ..	1	
5	622/086	Screw (99-0521) ... ..	4	
6	622/060	Throttle valve (3½ cutaway) (99-2001) ... ..	1	
7	622/131	Throttle return spring (copper plated) (99-1033) ... ..	1	
8	622/077	Throttle stop screw (99-0516) ... ..	1	
9	622/076	Air adjusting screw (99-0515) ... ..	1	
10	622/082	"O" ring (99-0520) ... ..	2	
11	622/128	Jet holder (99-1034) ... ..	1	
12	376/100	Main jet (99-1131) size 150 ... ..	1	
13	622/122	Needle jet (99-1035) size .106 ... ..	1	
14	622/124	Needle (99-1036) ... ..	1	
15	622/067	Needle clip (99-0510) ... ..	1	
16	622/134	Air valve guide sleeve (99-1051) ... ..	1	
17	622/069	Float (99-0512) ... ..	1	
18	622/071	Float spindle (99-0513) ... ..	1	
19	622/073	Joint washer (99-0514) ... ..	1	
20	622/055	Float chamber (99-1154) ... ..	1	
21	622/068	Float needle (99-0511) ... ..	1	
22	376/093	Filter (99-0438) ... ..	1	
23	622/078	Banjo bolt (99-0517) ... ..	1	
24	13/163	Fibre washer (99-1124) ... ..	1	
25	4/035	Cable adjuster ... ..	Reference only	
26	5/077	Nut (99-0224) ... ..	1	Each carburetor
27	622/062	Air slide ... ..	Reference only	
28	622/129	Air slide spring (99-1038) ... ..	1	Each carburetor
29	622/089	Tickler pin ... ..	Reference only	
30	14/032	Spring ... ..	Reference only	
31	622/147	Drain plug (99-1152) ... ..	1	
32	622/151	Washer (99-1153) ... ..	1	
33	82-9272	Petrol pipe ... ..	1	

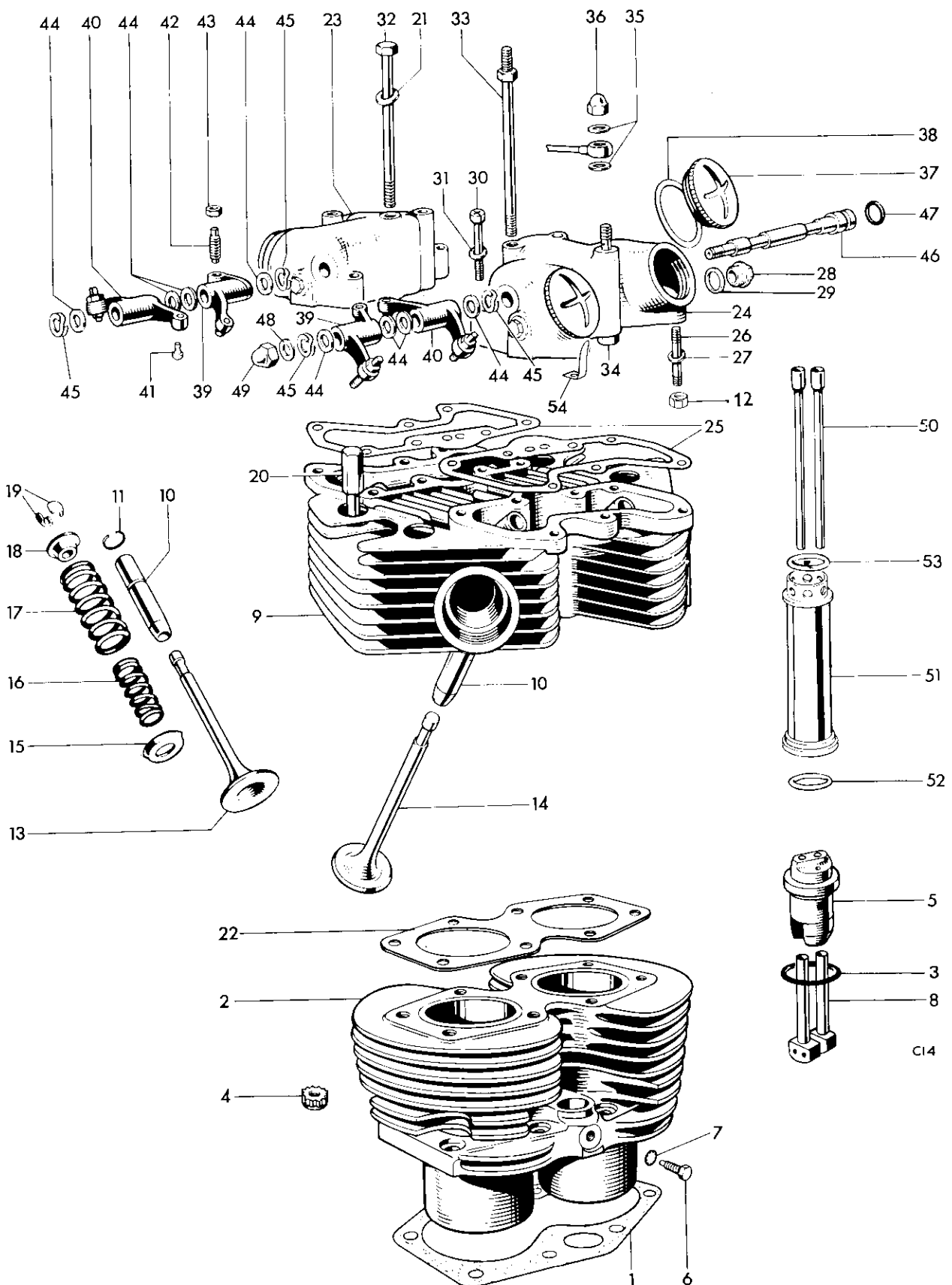


Fig. 6. CYLINDER BLOCK AND HEAD

Ref. No.	Part No.	DESCRIPTION	QUANTITY	REMARKS
<b>CYLINDER BLOCK AND HEAD</b>				
1	70-3798	Cylinder base gasket ... ..	1	
2	70-9719	Cylinder block ... ..	1	
3	70-7563	"O" ring ... ..	2	
4	21-0692	Nut (12 point) ... ..	8	
5	70-9352	Tappet guide block ... ..	2	
6	97-0200	Tappet block screw ( $\frac{7}{8}$ in. U.H.) ... ..	2	
7	70-1612	Serrated washer ... ..	2	
8	70-4040	Tappet, Racing type ... ..	4	
9	71-2643	CYLINDER HEAD c/w GUIDES ... ..	1	
10	70-6301	Valve guide ... ..	4	
11	70-3209	Valve guide circlip ... ..	4	
12	14-0301	Nut, rocker box ... ..	4	
13	70-6853	Inlet valve ... ..	2	
14	70-6854	Exhaust valve ... ..	2	
15	70-6855	Bottom cup ... ..	4	
16	70-5946	Inner valve spring ... ..	4	
17	70-4011	Outer valve spring ... ..	4	
18	70-3742	Top collar ... ..	4	
19	99-0062	Split cotter ... ..	8	
20	70-4456	Cylinder head bolt ( $2\frac{3}{4}$ in. U.H.) ... ..	4	
21	82-2184	Plain washer ... ..	8	
22	70-4675	Cylinder head gasket ... ..	1	
23	71-2075	Inlet rocker box ... ..	1	
24	71-2076	Exhaust rocker box ... ..	1	
25	70-9511	Joint washer ... ..	2	
26	14-1401	Rocker box stud ... ..	4	
27	70-3302	Washer ... ..	4	
28	71-2079	Plug, rocker box ... ..	4	
29	57-2697	Joint washer ... ..	4	
30	14-6609	Screw ( $1\frac{1}{4}$ in. U.H.) ... ..	4	
31	70-3857	Plain washer ... ..	4	
32	70-3794	Cylinder head bolt ( $5\frac{7}{8}$ in. U.H.) ... ..	2	
33	70-3795	Cylinder head torque stay bolt ... ..	2	
34	70-3809	Oil feed bolt ... ..	2	
35	82-1880	Copper washer ... ..	6	
36	97-0400	Domed nut ... ..	2	
37	70-4610	Inspection cap ... ..	4	
38	70-8782	"O" ring ... ..	4	
39	70-3749	ROCKER (right exhaust, left inlet) ... ..	2	
40	70-3750	ROCKER (left exhaust, right inlet) ... ..	2	
41	70-7651	Rocker ball pin ... ..	4	
42	70-3223	Rocker adjusting pin ... ..	4	
43	60-4264	Adjuster lock nut ... ..	4	
44	70-2534	Thrust washer, $\frac{7}{8}$ in. ... ..	6	
44	70-1330	Thrust washer, $\frac{3}{8}$ in. ... ..	2	
45	70-3224	Spring washer ... ..	2	
46	71-3301	Rocker spindle ... ..	2	
47	60-3548	"O" ring ... ..	2	
48	70-1335	Copper washer ... ..	2	
49	21-0550	Domed nut ... ..	2	
50	70-4008	Push rod ... ..	4	
51	71-2576	Cover tube ... ..	2	
52	70-7310	"O" ring, push rod cover tube (bottom) ... ..	2	
53	71-1283	"O" ring, push rod cover tube (top) ... ..	2	
54	70-4671	Locking spring ... ..	4	
Not illus.	71-1707	Sleeve ... ..	2	
Not illus.	70-3547	Sealing rubber ... ..	2	

20

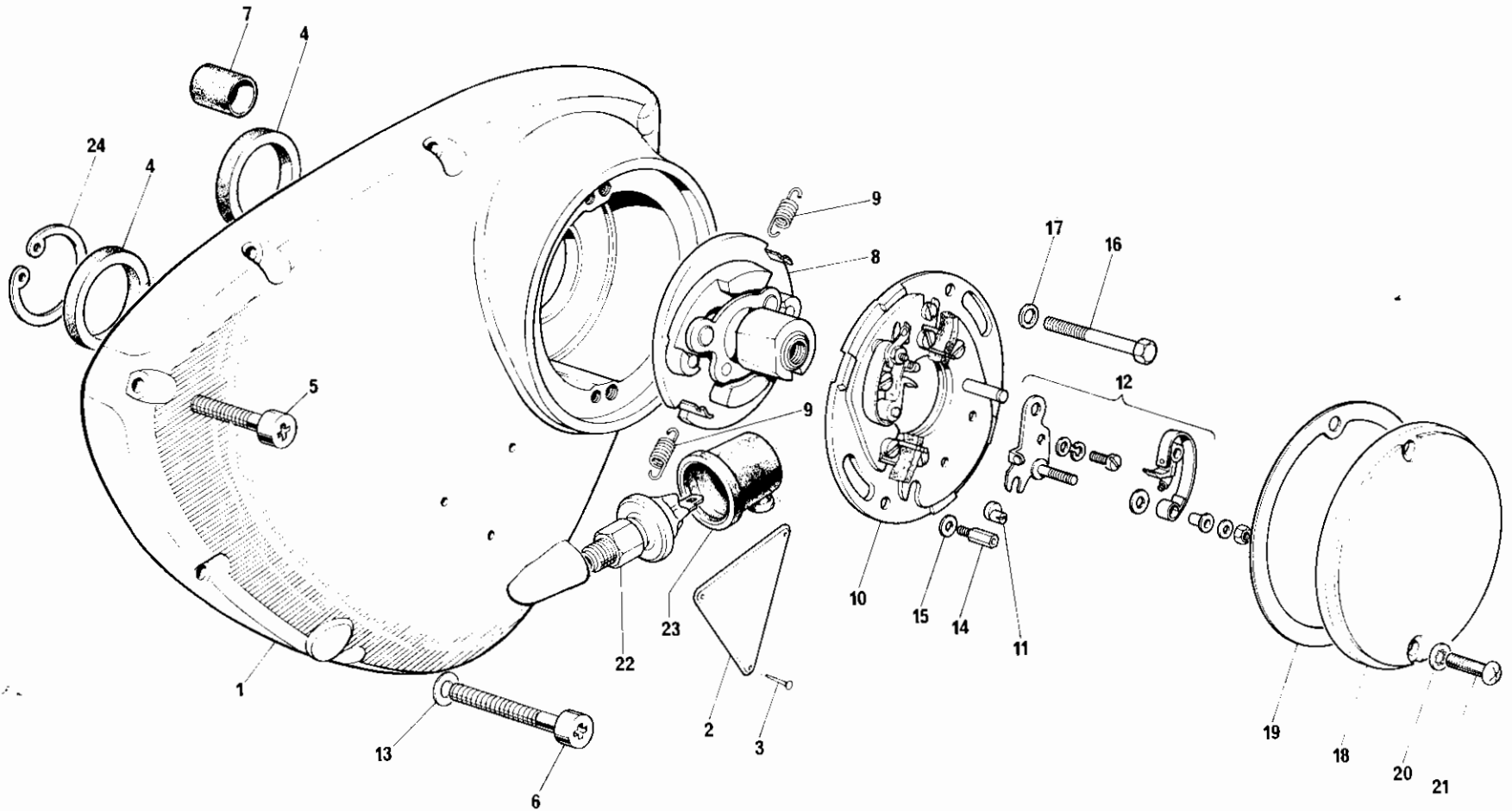


Fig. 7. TIMING COVER AND CONTACT BREAKER

**TIMING COVER AND CONTACT BREAKER**

1	70-9250	Timing cover ... ..	1	
2	70-4016	Patent plate ... ..	1	
3	60-4255	Hammer-drive screw ... ..	3	
4	70-4568	Oil seal ... ..	2	
5	14-6607	Screw ( $\frac{7}{8}$ in. U.H.) ... ..	4	
6	21-1916	Screw ( $1\frac{1}{8}$ in. U.H.) ... ..	4	
7	57-0989	Hollow dowel ... ..	1	
8	54419340	AUTO-ADVANCE UNIT (99-0771) ... ..	1	
9	54415642	Spring set (95-0757) ... ..	2	
10	54419097	CONTACT BREAKER PLATE ASSEMBLY (99-0768) ... ..	1	
11	54419220	Pin adjustment (99-0769) ... ..	2	
12	54419827	Contact set (99-0772) ... ..	2	
13	60-3963	Washer (cover screws) ... ..	8	
14	70-7680	Pillar bolt ... ..	2	
15	70-6559	Washer ... ..	2	
16	14-0208	Bolt ... ..	1	
17	70-8163	Washer ... ..	1	
18	70-8737	Cover ... ..	1	
19	71-1462	Joint washer ... ..	1	
20	60-4256	Serrated washer ... ..	2	
21	70-7354	Screw ... ..	2	
22	60-3719	Oil pressure switch ... ..	1	
23	71-2930	Cover pressure switch ... ..	1	
24	70-4569	Circlip ... ..	1	
Not illus.	70-4849	Dowel pin, auto advance to camshaft ... ..	1	
Not illus.	60-2138	Timing label for C.B. cover ... ..	1	
Not illus.	70-9526	Blanking plug (to replace oil pressure switch) ... ..	Available	

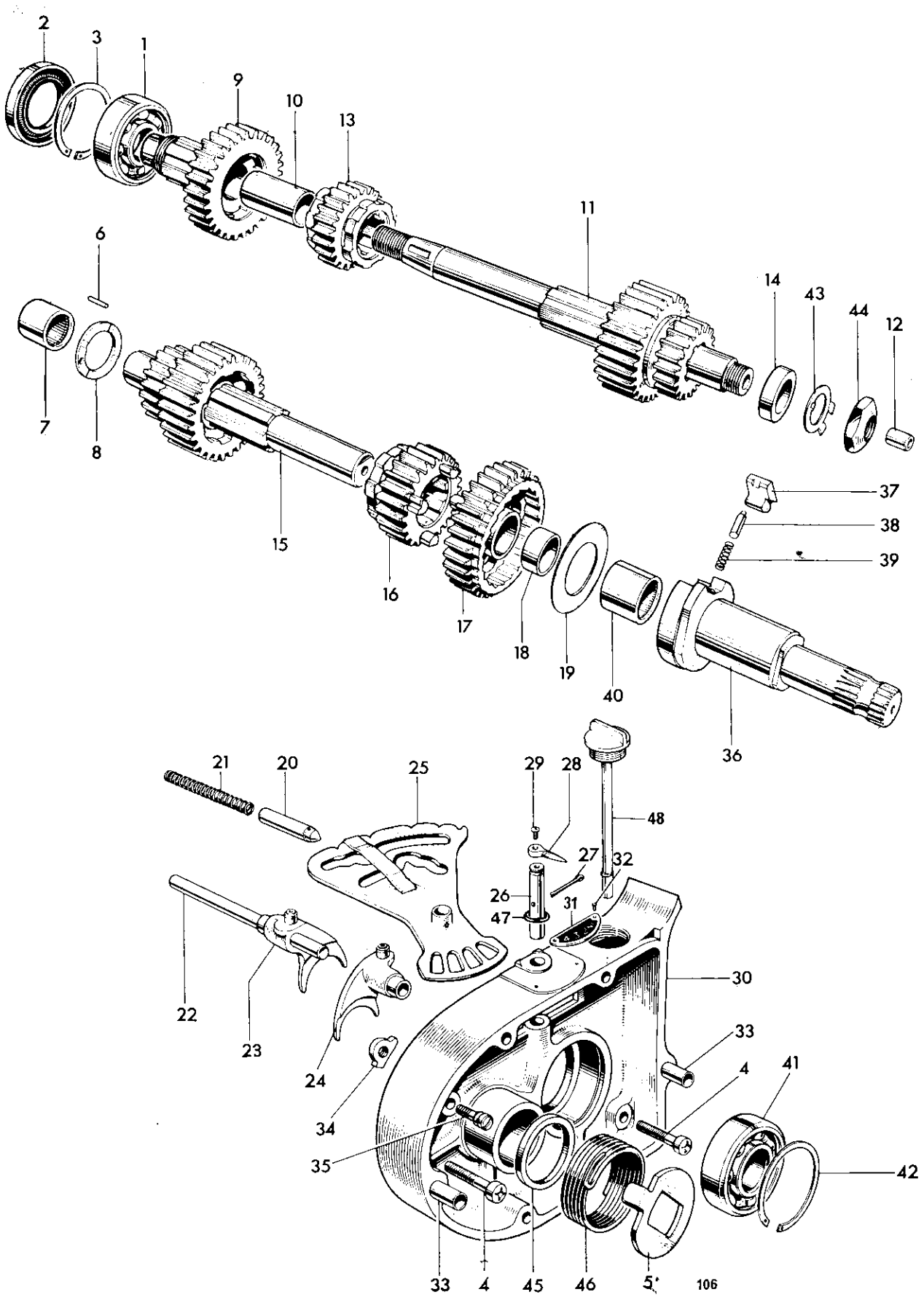


Fig. 9. GEARBOX SHAFTS, BEARINGS AND INNER COVER

Ref. No.	Part No.	DESCRIPTION	QUANTITY	REMARKS
<b>GEARBOX SHAFTS, BEARINGS AND INNER COVER</b>				
1	57-0665	High gear bearing (ball journal) ... ..	1	
2	57-1478	Oil seal ... ..	1	
3	37-0680	Circlip ... ..	1	
4	14-6608	Screw ... ..	2	
5	57-1422	Return spring plate ... ..	1	
6	57-0912	Peg ... ..	1	
7	57-1606	Layshaft bearing ... ..	1	
8	57-1607	Thrust washer ... ..	1	
9	57-3991	MAINSHAFT HIGH GEAR (22T) ... ..	1	
10	57-1405	High gear bush ... ..	1	
11	57-4039	MAINSHAFT c/w THIRD AND LOW GEARS (16/24T)	1	
12	57-1391	Clutch rod bush ... ..	1	
13	57-3994	Mainshaft second gear (21T) ... ..	1	
14	57-1411	Mainshaft distance piece ... ..	1	
15	57-4041	Layshaft c/w second and high gears (15/23T)	1	
16	57-3997	Layshaft third gear (20T) ... ..	1	
17	57-3999	LAYSHAFT LOW GEAR (27T) ... ..	1	
18	57-1393	Low gear bush ... ..	1	
19	57-1426	Pawl retaining disc ... ..	1	
20	57-3660	Camplate index plunger ... ..	1	
21	57-3661	Index plunger spring ... ..	1	
22	57-1457	Selector fork spindle ... ..	1	
23	57-1480	Mainshaft selector fork ... ..	1	
24	57-1481	Layshaft selector fork ... ..	1	
25	57-4218	Gear selector camplate ... ..	1	
26	57-1418	Camplate spindle ... ..	1	
27	—	Split pin ( $\frac{1}{8}$ in. x $\frac{3}{8}$ in.) ... ..		Reference only
28	57-1416	Gear indicator pointer ... ..	1	
29	97-0688	Screw ( $\frac{5}{16}$ in. U.H.) ... ..	1	
30	57-4300	INNER COVER ... ..	1	
31	57-1417	Gear indicator plate ... ..		Reference only
32	60-4255	Indicator plate rivet ... ..		Reference only
33	57-1440	Hollow dowel ... ..	2	
34	57-1157	Kickstarter stop plate ... ..	1	
35	57-1390	Stop plate anchor screw ... ..	1	
36	57-1981	KICKSTARTER SPINDLE ... ..	1	
37	57-1431	Kickstarter pawl ... ..	1	
38	57-1282	Plunger ... ..	1	
39	57-1161	Plunger spring ... ..	1	
40	57-1897	Needle roller bearing ... ..	1	
41	57-1469	Mainshaft bearing (Ball journal) ... ..	1	
42	57-4113	Circlip ... ..	1	
43	57-2240	Tab washer ... ..	1	
44	21-0594	Mainshaft nut ... ..	1	
45	57-1464	Distance piece ... ..	1	
46	57-1441	Kickstarter return spring ... ..	1	
47	70-4803	"O" ring ... ..	1	
48	57-4612	Dipstick ... ..	1	

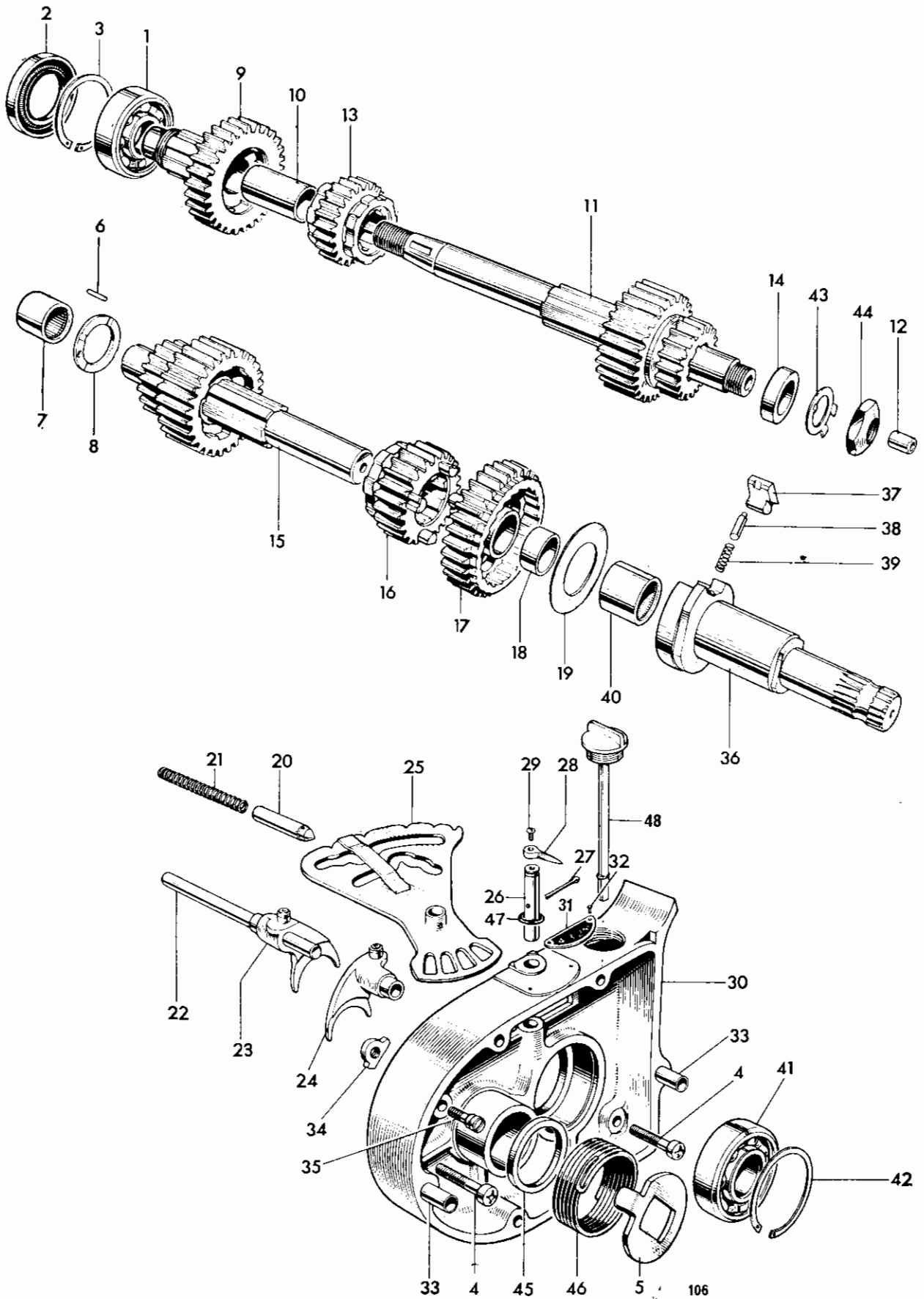


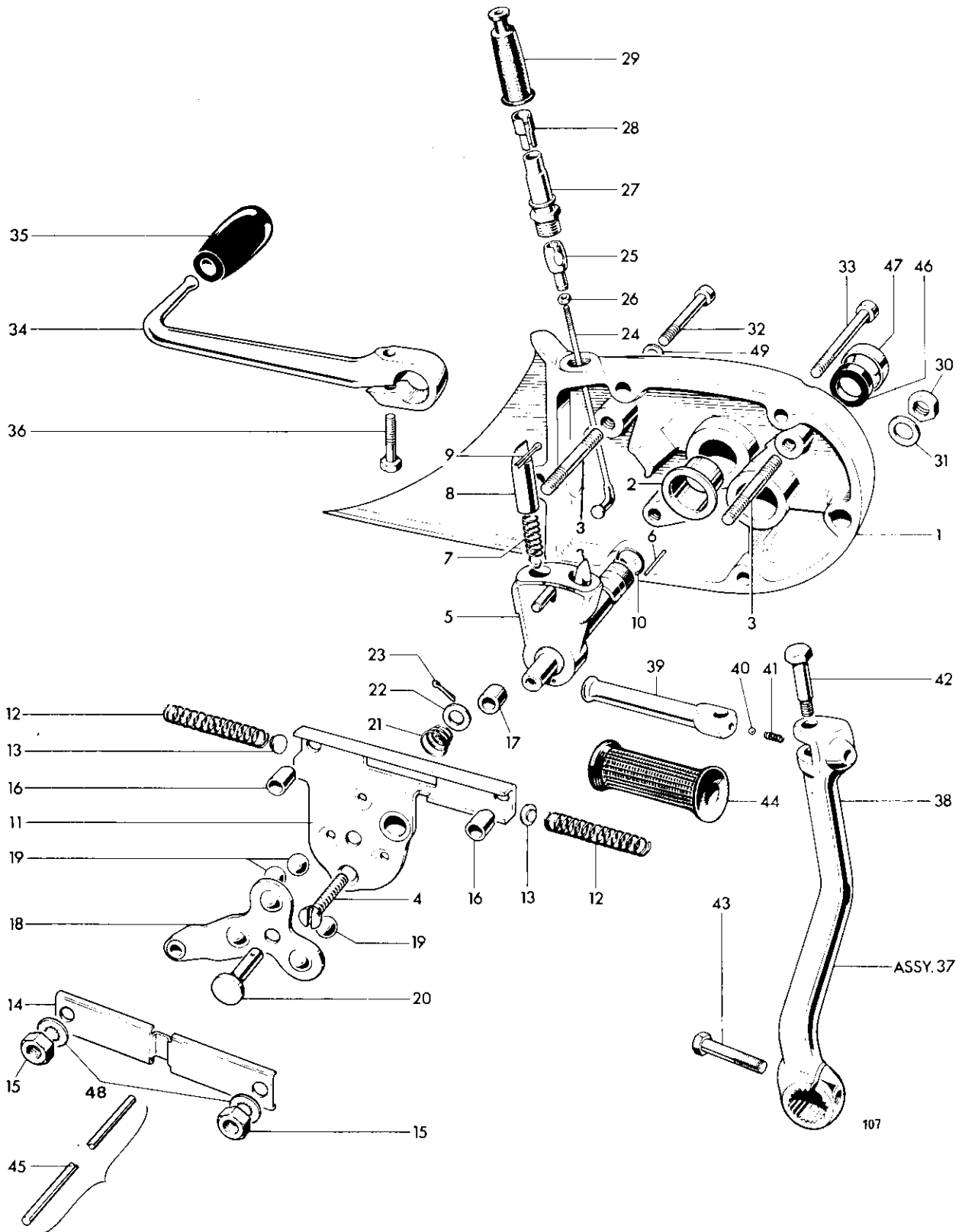
Fig. 9. GEARBOX SHAFTS, BEARINGS AND INNER COVER



Ref. No.	Part No.	DESCRIPTION	QUANTITY	REMARKS
----------	----------	-------------	----------	---------

**WIDE RATIO GEARS**

9	57-4029	MAINSHAFT HIGH GEAR (23T) ... ..	1	
11	57-4040	MAINSHAFT c/w THIRD AND LOW GEAR (15/24T) ...	1	
13	57-4031	Mainshaft second gear (20T) ... ..	1	
15	57-4042	Layshaft c/w second and high gear (14/24T) ... ..	1	
16	57-3997	Layshaft third gear (20T) ... ..	1	
17	57-4033	LAYSHAFT LOW GEAR (29T) ... ..	1	



**Fig. 8. GEARBOX OUTER COVER AND LEVERS**

Ref. No.	Part No.	DESCRIPTION	QUANTITY	REMARKS
<b>GEARBOX OUTER COVER AND LEVERS</b>				
1	57-3755	GEARBOX OUTER COVER ...	1	
2	57-1395	Gearchange spindle bush...	1	
3	21-1928	Stud (1 $\frac{5}{8}$ in. O.A.) ...	2	
4	14-6505	Screw ...	1	
5	57-4888	GEARCHANGE QUADRANT ...	1	
6	57-1474	Spring retaining pin ...	2	
7	57-1436	Plunger spring ...	2	
8	57-1396	Selector plunger ...	2	
9	—	Splitpin ( $\frac{5}{16}$ in. x $\frac{3}{4}$ in.) ...		Reference only
10	57-2697	Sealing ring ...	1	
11	57-1871	Return spring housing ...	1	
12	57-1877	Return spring ...	2	
13	57-1878	Thrust button ...	2	
14	57-1977	Cover ...	1	
15	21-1877	Nut ...	2	
16	57-1876	Distance piece ...	2	
17	57-1874	Distance piece ...	1	
18	57-4439	Clutch lever ...	1	
19	60-2368	Ball, $\frac{3}{8}$ in. diam. ...	3	
20	57-1710	Shaft ...	1	
21	57-1712	Spring ...	1	
22	57-3673	Plain washer ...	1	
23	—	Split pin ( $\frac{5}{16}$ in. x $\frac{1}{2}$ in.) ...		Reference only
24	57-1945	Spoke ...	1	
25	57-1946	Connector ...	1	
26	57-1937	Nut ...	1	
27	57-3784	Abutment ...	1	
28	57-2062	Adaptor, short ...		As required
28	57-2063	Adaptor, long (For cable with short outer) ...		As required
29	57-1646	Rubber cover ...	1	
30	14-1302	Nut ...	2	
31	60-4247	Plain washer ...	2	
32	21-1918	Screw ...	2	
33	21-1917	Screw ...	2	
34	57-1435	Gearchange lever ...	1	
35	57-2450	Pedal rubber ...	1	
36	37-0932	Bolt (1 in. U.H.) ...	1	
37	57-4760	KICKSTARTER LEVER COMPLETE ...	1	
38	57-4761	Kickstarter crank ...	1	
39	57-1272	Kickstarter pedal ...	1	
40	60-2364	Steel ball ( $\frac{1}{4}$ in. diam.) ...	1	
41	57-1167	Index spring ...	1	
42	21-0541	Pivot bolt ...	1	
43	21-0644	Clamp bolt (1 $\frac{5}{8}$ in. U.H.) ...	1	
44	57-2330	Pedal rubber ...	1	
45	57-1970	Clutch operating rod ...	1	
46	57-2239	Oil seal ...	1	
47	57-2238	Oil seal cover ...	1	
48	70-1612	Serrated washer ...	2	
49	60-3963	Washer, cover screws ...	4	

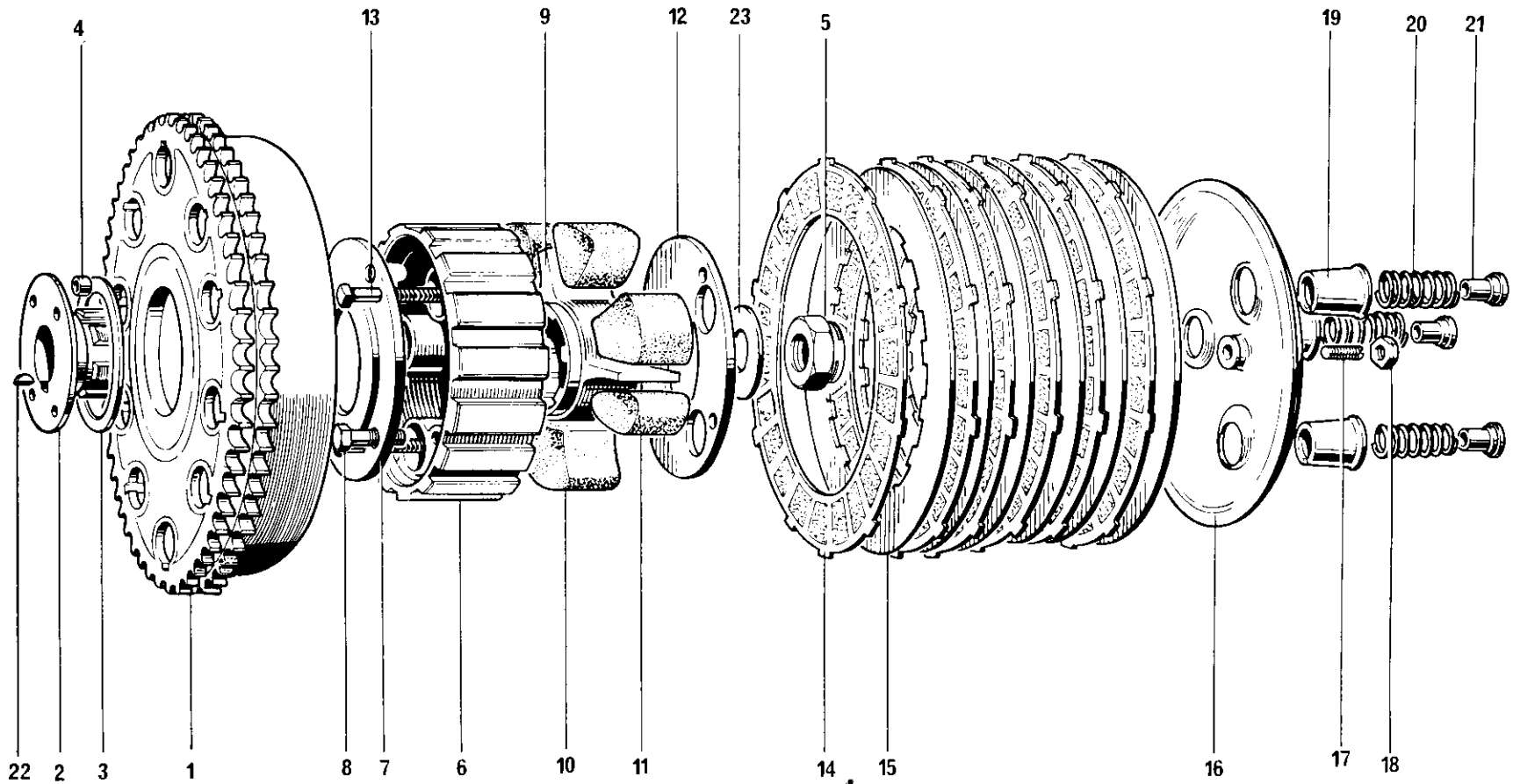


Fig. 10. CLUTCH

**CLUTCH**

1	57-1570	Sprocket and housing ... ..	1	
2	57-3930	Hub ... ..	1	
3	57-3931	Thrust washer ... ..	1	
4	57-0394	Roller ... ..	20	
5	21-0586	Nut ... ..	1	
6	57-4438	Centre (Shock absorber body) ... ..	1	
7	57-4436	Inner plate ... ..	1	
8	21-2157	Bolt ... ..	3	
9	57-4636	Shock absorber spider ... ..	1	
10	57-1722	Drive rubber (large) ... ..	3	
11	57-1723	Rebound rubber (small) ... ..	3	
12	57-4437	Outer plate ... ..	1	
13	57-423A	Screwed pin (1 $\frac{3}{4}$ in. U.H.) ... ..	3	
14	57-1362	Driving plate (bonded) ... ..	6	
15	57-1363	Driven plate (plain) ... ..	6	
16	57-2156	Pressure plate ... ..	1	
17	57-2159	Adjuster pin ... ..	1	
18	14-0403	Nut ... ..	1	
19	57-1931	Spring cup ... ..	3	
20	57-1560	Spring ... ..	3	
21	57-2526	Nut ... ..	3	
22	60-4253	Key ... ..	1	
23	57-2279	Washer ... ..	1	

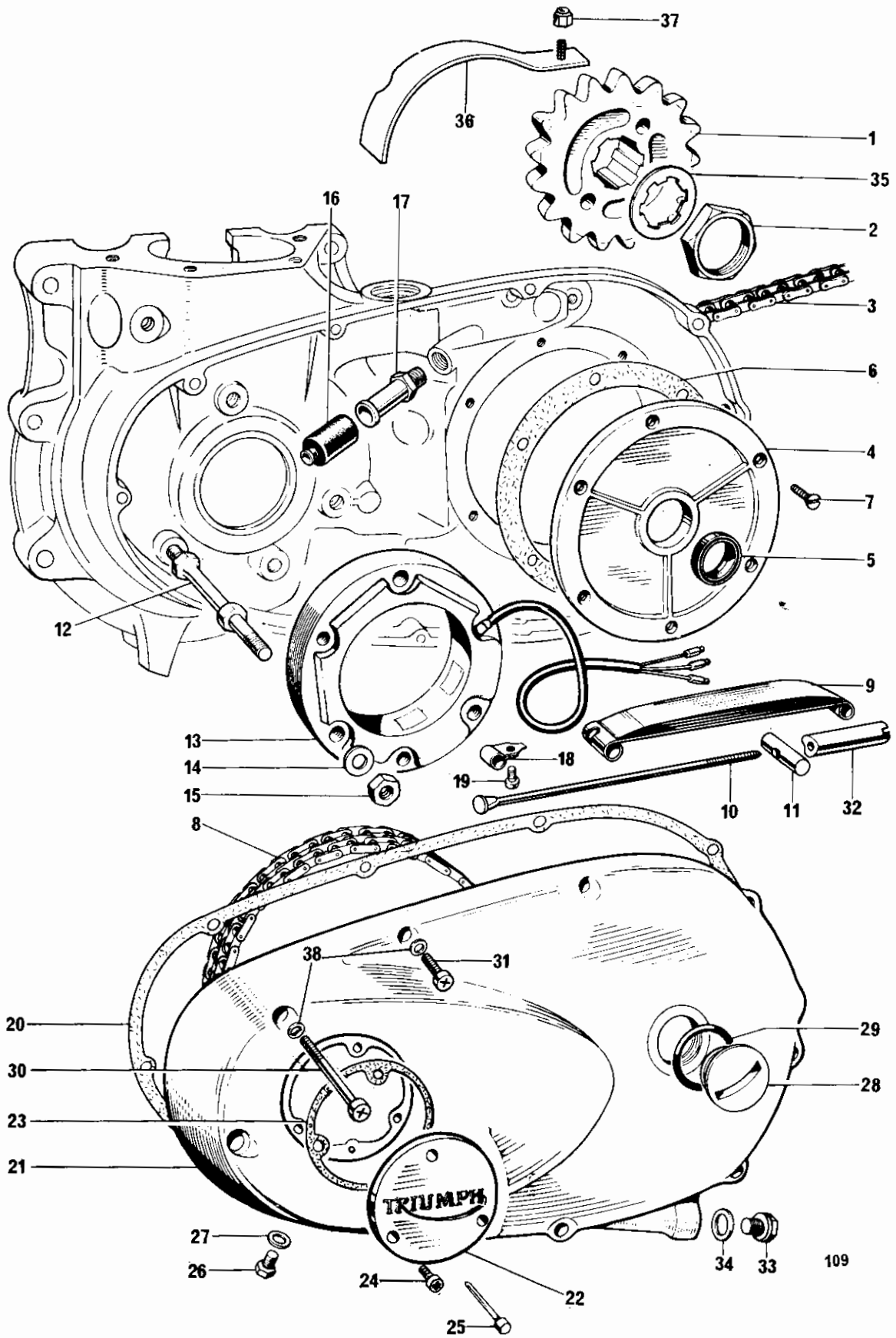


Fig. 11. CHAINCASE AND CHAINS

Ref. No.	Part No.	DESCRIPTION	QUANTITY	REMARKS
<b>CHAINCASE AND CHAINS</b>				
1	57-1476/18	Gearbox sprocket (18 teeth) ... ..	1	
1	57-1476/19	Gearbox sprocket (19 teeth) ... ..	Available	
1	57-1569	Gearbox sprocket (20 teeth) ... ..	Available	
2	57-2536	Gearbox sprocket nut ... ..	1	
3	60-0444	Rear chain, $\frac{3}{8}$ in. x $\frac{3}{8}$ in. x 102L ... ..	1	
4	70-7037	Cover plate ... ..	1	
5	70-7565	Oil seal ... ..	1	
6	71-1419	Joint washer ... ..	1	
7	70-3821	Countersunk screw ( $\frac{5}{16}$ in. U.H.) ... ..	6	
8	60-0358	Primary chain, $\frac{3}{8}$ in. Duplex 78L ... ..	1	
9	70-6283	Chain tensioner blade ... ..	1	
10	70-4152	Tie rod ... ..	1	
11	70-4148	Trunnion ... ..	1	
12	70-9495	Stud ( $3\frac{5}{8}$ in. O.A.) ... ..	3	
13	47205	Stator, RM 21 (99-1006) ... ..	1	
14	60-4247	Plain washer ... ..	3	
15	14-0702	Nut ... ..	3	
16	70-4144	Rubber grommet ... ..	1	
17	70-9360	Sleeve nut ... ..	1	
18	70-1509	Clip .. ...	1	
19	21-1920	Setscrew ... ..	1	
20	71-1456	Joint washer ... ..	1	
21	70-9249	Chaincase ... ..	1	
22	57-2440	Rotor cover ... ..	1	
23	71-1457	Joint washer ... ..	1	
24	82-4129	Screw ... ..	3	
25	57-2537	Ignition pointer... ..	1	
26	14-6101	Level plug ... ..	1	
27	70-2441	Copper washer ... ..	2	
28	57-2166	Filler plug ... ..	1	
29	70-8782	"O" ring ... ..	1	
30	21-1878	Screw ( $2\frac{3}{4}$ in. U.H.) ... ..	3	
31	14-6609	Screw ... ..	7	
32	70-9703	Adjuster sleeve nut ... ..	1	
33	57-2259	Drain plug ... ..	1	
34	57-1738	Fibre washer ... ..	1	
35	57-2056	Tab washer ... ..	1	
36	70-7571	Crankcase protector ... ..	1	
37	14-1301	Self-locking nut ... ..	1	
38	60-3963	Washer ... ..	14	

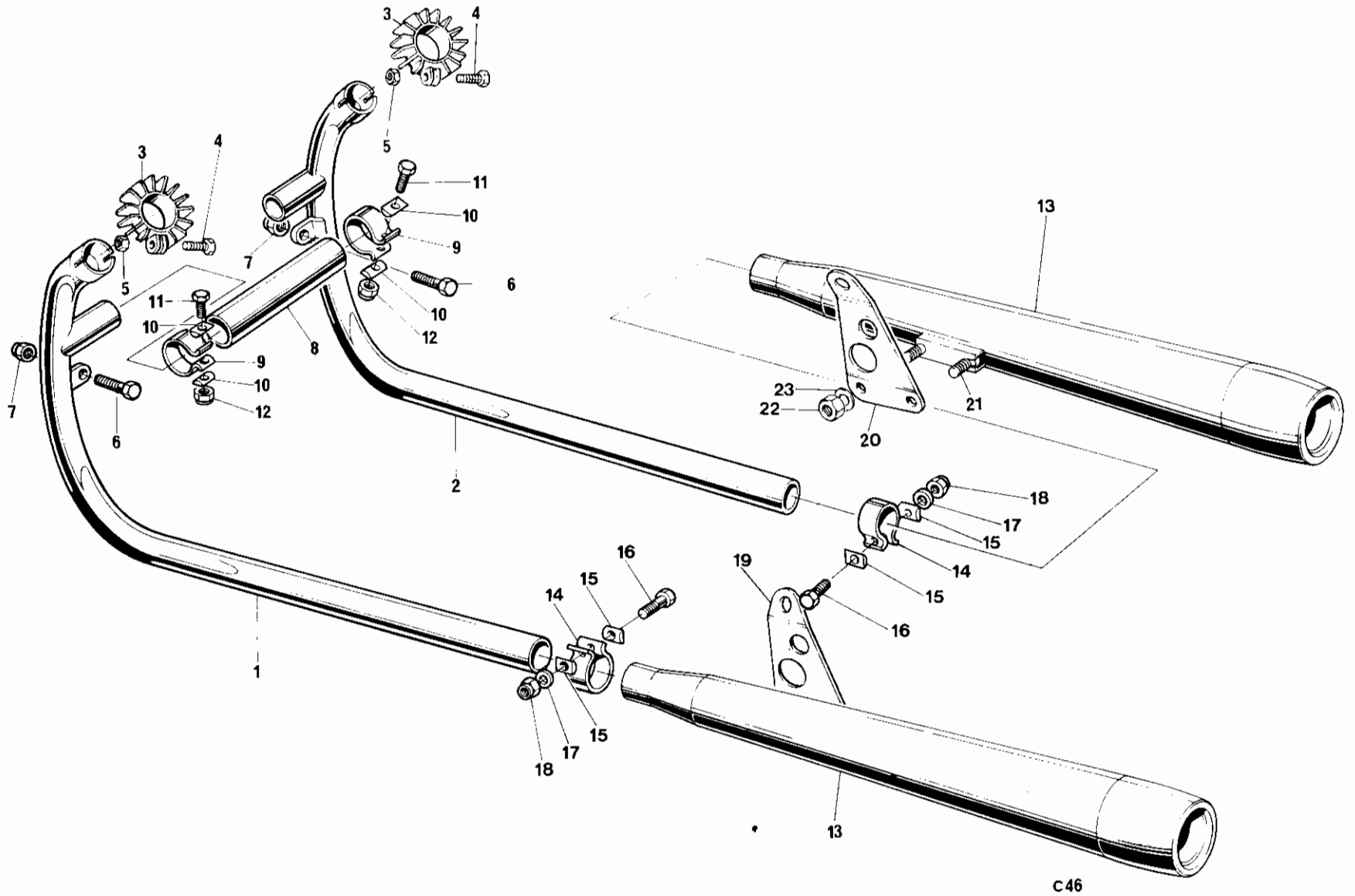


Fig. 12. EXHAUST SYSTEM

c46



**EXHAUST SYSTEM**

1	71-3803	Exhaust pipe—L.H. ... ..	1	
2	71-3807	Exhaust pipe—R.H. ... ..	1	
3	71-2466	Finned clip ... ..	2	
4	21-0778	Bolt } Exhaust pipes to Nut } cylinder head	2	
5	21-2186		2	
6	14-2205	Bolt } Exhaust pipes Nut } to brackets	2	
7	14-1301		2	
8	70-9888	Coupling pipe ... ..	1	
9	70-7512	Clip	2	
10	70-3768	"D" washer } Coupling Bolt } pipe Nut }	4	
11	14-0217		2	
12	14-1202		2	
13	71-3999	Muffler ... ..	2	
14	70-5874	Clip	2	
15	70-3768	"D" washer } Mufflers to exhaust pipes Bolt } Washer } Nut }	4	
16	14-0219		2	
17	60-4247		2	
18	14-1202		2	
19	71-3810	Muffler bracket—L.H. ... ..	1	
20	71-3811	Muffler bracket—R.H. ... ..	1	
21	14-0102	Bolt ... ..	4	
22	14-1201	Nut ... ..	4	
23	60-4248	Washer ... ..	4	

34

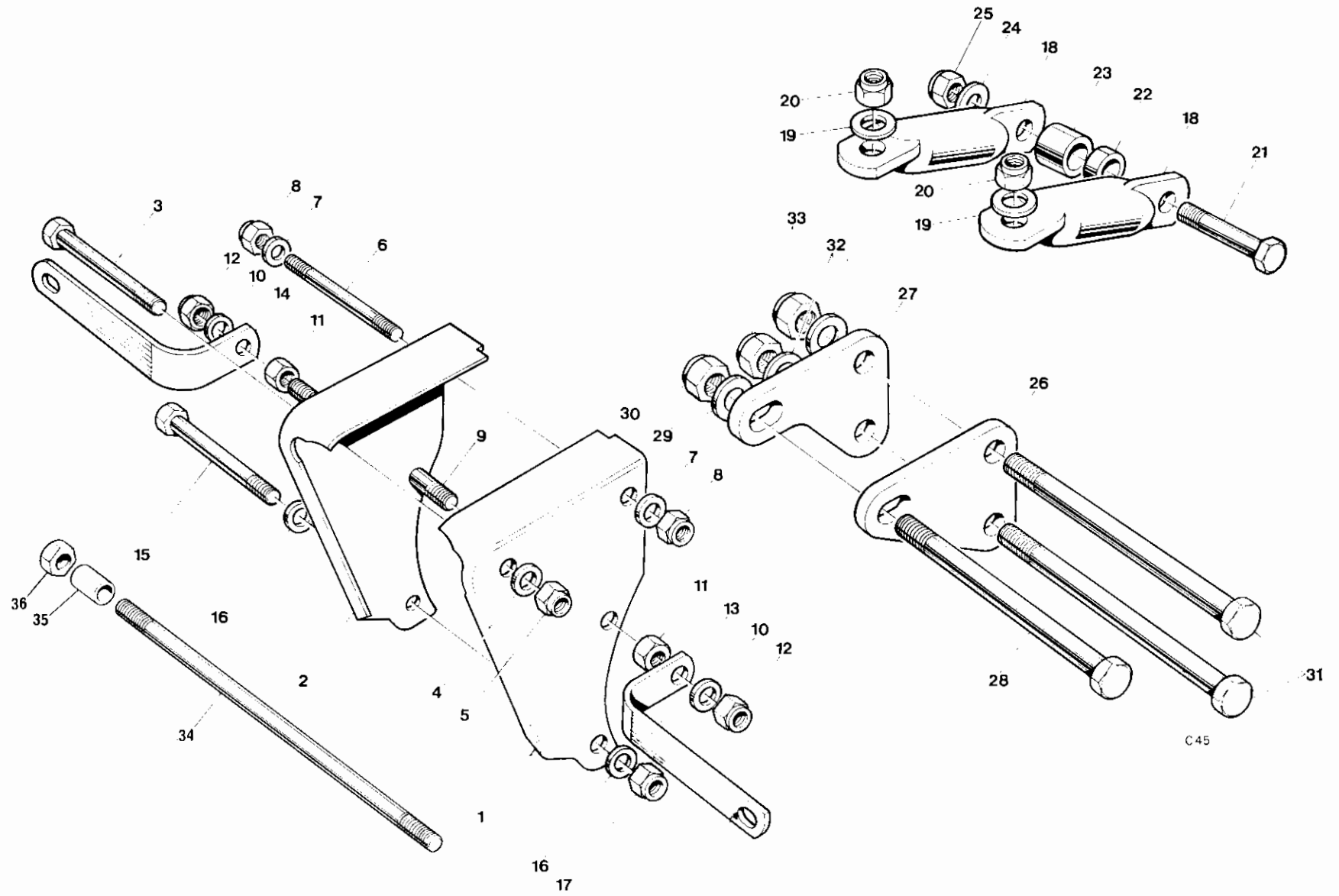


Fig. 13. MOTOR FITTINGS

**MOTOR FITTINGS**

1	82-7333	Front motor plate—D.S.	...	1
2	82-7334	Front motor plate—T.S.	...	1
3	14-0239	Bolt	} Front motor plates to frame	1
4	60-4246	Washer		1
5	14-1303	Nut (Cleveloc)		1
6	21-2006	Stud (3 $\frac{1}{8}$ in. O.A.)		1
7	60-4247	Washer		} Top-front motor plates
8	14-1302	Nut (Cleveloc)	2	
9	21-2083	Stud (4 $\frac{1}{4}$ in. O.A.)	1	
10	60-4247	Washer	} Middle-front motor plates	2
11	14-0302	Nut (plain)		2
12	14-1302	Nut (Cleveloc)		2
13	70-7641	Exhaust bracket—D.S.	...	1
14	70-7642	Exhaust bracket—T.S.	...	1
15	14-0225	Bolt	} Bottom-front motor plates	1
16	60-4247	Washer		2
17	14-1302	Nut (Cleveloc)		1
18	70-4778	Torque stay	...	2
19	60-4259	Washer	} Torque stay to rocker box studs	2
20	60-4261	Nut		2
21	14-0220	Bolt	} Torque stay to frame	1
22	70-7119	Distance piece—D.S.		1
23	70-3434	Distance piece—T.S.		1
24	60-4247	Washer		1
25	14-1302	Nut (Cleveloc)	...	1
26	82-4229	Rear motor plate—D.S.	...	1
27	82-4230	Rear motor plate—T.S.	...	1
28	14-0242	Bolt	} Rear motor plates to crankcase	1
29	60-4246	Washer		1
30	14-1303	Nut (Cleveloc)		1
31	14-0228	Bolt	} Rear motor plates to frame	2
32	60-4247	Washer		2
33	14-1302	Nut (Cleveloc)		2
34	21-2004	Stud	} Bottom motor fixing	1
35	82-5532	Distance piece		2
36	14-1303	Nut		2

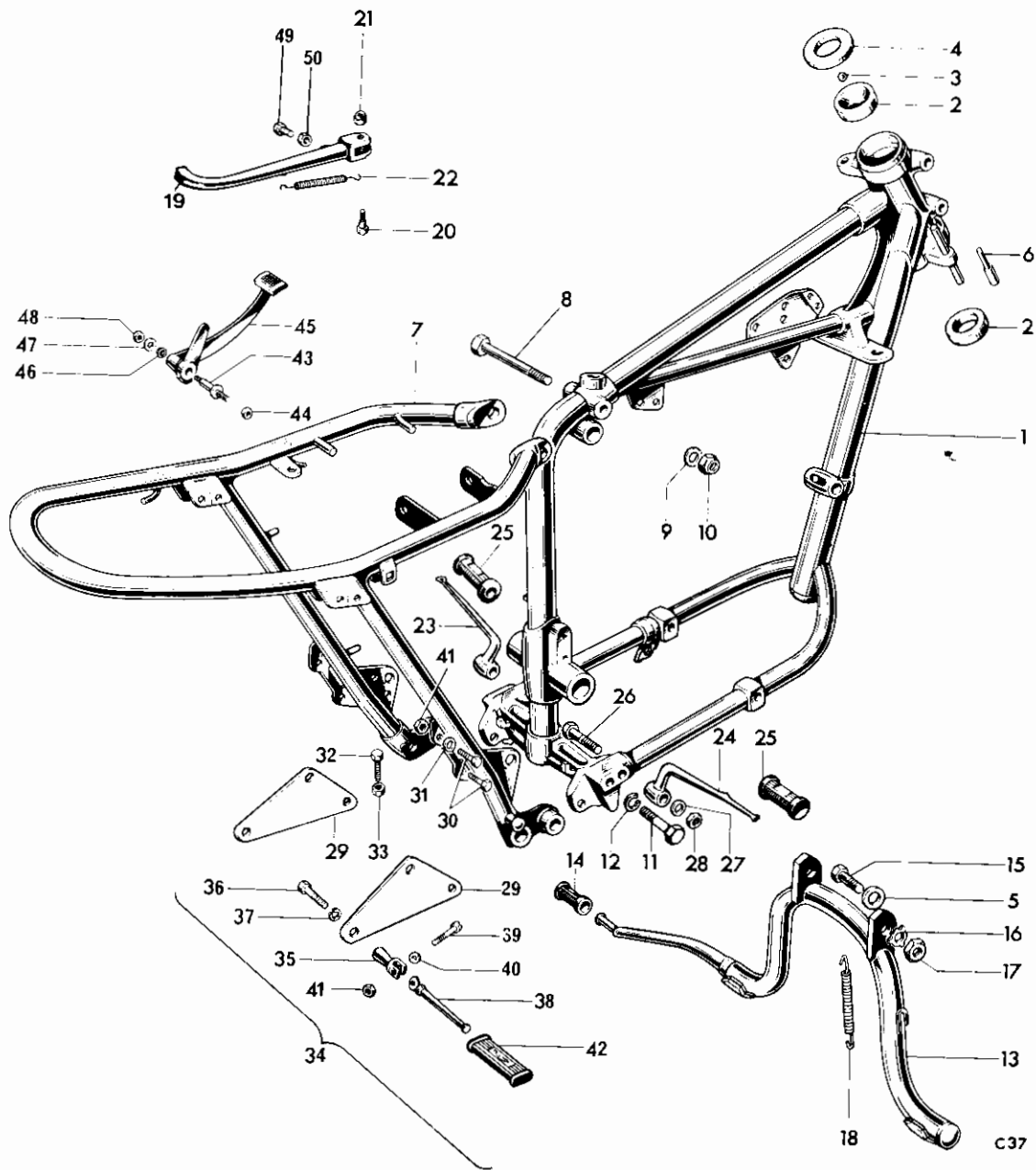


Fig. 14. FRAME

Ref. No.	Part No.	DESCRIPTION	QUANTITY	REMARKS
<b>FRAME</b>				
1	83-0034	Front frame ... ..	1	
2	97-0111	Steering race cup ... ..	2	
3	60-2364	Steel ball ( $\frac{1}{4}$ in. dia.) ... ..	40	
4	97-1018	Top cone and dust cover ... ..	1	
5	82-5679	Washer ... ..	2	
6	82-7155	Steering stops ... ..	2	
7	82-8038	Rear frame ... ..	1	
8	14-0241	Bolt ... ..	1	
9	60-4246	Washer ... ..	1	
10	14-1303	Nut ... ..	1	
11	21-0588	Bolt ... ..	2	
12	99-0046	Spring washer ... ..	2	
13	82-7693	Centre stand ... ..	1	
14	57-2331	Pedal rubber ... ..	1	
15	82-5678	Pivot bolt ... ..	2	
16	82-4484	Tab washer ... ..	2	
17	82-2725	Nut ... ..	2	
18	82-3617	Return spring ... ..	1	
19	83-1560	Prop stand ... ..	1	
20	82-7021	Pivot bolt ... ..	1	
21	14-0703	Self-locking nut ... ..	1	
22	82-8382	Return spring ... ..	1	
23	82-4214	Left footrest ... ..	1	
24	82-4215	Right footrest ... ..	1	
25	82-9279	Pedal rubber ... ..	2	
26	14-0251	Bolt ... ..	2	
27	82-4370	Plain washer ... ..	2	
28	14-1304	Nut ... ..	2	
29	83-5408	Pillion footrest bracket ... ..	2	
30	14-0115	Bolt ( $\frac{3}{8}$ in. U.H.) ... ..	4	
31	60-4247	Washer ... ..	4	
32	83-5165	Pedal stop screw ... ..	1	
33	14-0302	Nut ... ..	2	
34	82-9369	PILLION FOOTREST ... ..	2	
35	82-9370	Footrest hanger ... ..	2	
36	14-0128	Bolt ... ..	2	
37	60-4259	Washer ... ..	2	
38	82-1694	Pedal ... ..	2	
39	82-9371	Pivot bolt ... ..	2	
40	82-2277	Washer ... ..	2	
41	14-1302	Nut ... ..	6	
42	82-1695	Pedal rubber ... ..	2	
43	83-5164	Brake pedal spindle ... ..	1	
44	14-1305	Nut ... ..	1	
45	82-7703	Brake pedal ... ..	1	
46	60-3541	Spring washer ... ..	1	
47	60-4246	Plain washer ... ..	1	
48	14-0403	Nut ... ..	1	
49	14-0216	Bolt ... ..	1	
50	14-0402	Nut ... ..	1	
Not illus.	60-2452	Transfer, 'Safety Standards' ... ..	1	



**SWINGING ARM, SUSPENSION UNITS AND CHAINGUARD**

1	82-7375	SWINGING ARM	1	
2	82-4076	Pivot bush	2	
3	82-7342	Spindle	1	
4	82-7270	Gaiter	2	
5	82-4385	Shim 0.003 in.	As required	
5	82-4386	Shim 0.005 in.	As required	
6	83-0037	Left distance piece	1	
7	21-0580	Pivot bolt—left	1	
8	21-0579	Pivot bolt—right	1	
9	64052107	SUSPENSION UNIT (60-2024)	2	
10	64533645	Bonded bush (99-0122)	4	
11	9054/171	Spring retainer (99-0107)	4	
12	64543708	Spring, 100 lbs. chrome (99-1048)	2	
13	14-023S	Unit fixing bolt	4	
14	60-4246	Plain washer	8	
15	14-1303	Nut	4	
16	82-7707	Chainguard	1	
17	14-0101	Bolt	1	
18	60-42S0	Washer	1	
19	82-4134	Front bracket	1	
20	14-0113	Bolt	1	
21	82-7343	Tab washer	2	
22	60-1841	Lubricator	1	
23	14-0702	Self-locking nut	1	
24	82-9387	Stepped bolt	1	
25	60-4247	Plain washer	1	
26	14-1302	Nut	1	
27	14-0128	Bolt	1	
28	14-1303	Nut	1	
29	60-4268-	Nut	1	
30	99-0046	Spring washer	1	
31	82-7386	Brake operating rod	1	
32	—	Split pin ( $\frac{1}{16}$ in. x $\frac{1}{2}$ in.)	Reference only	
33	82-7387	Adjuster nut	1	
34	83-1780	Brake torque stay	1	
35	99-0046	Torque stay washer	1	
36	14-1304	Torque stay nut	1	
37	82-6046	Front chainguard	1	
38	14-0101	Bolt	1	
39	60-4245	Washer	1	
40	14-1301	Nut	1	
41	54033234	Stop lamp switch (99-0725)	1	
42	82-3158	Spring (315738)	1	
43	57-1076	Bolt ( $\frac{3}{8}$ in. U.H.)	3	
44	82-4717	Self-locking nut	5	
45	82-5687	Lever	1	
46	82-5413	"D" washer	1	
47	82-7774	Right distance piece	1	
48	14-0702	Nut	1	
49	82-4078	Thrust washer	1	
Not illus.	60-4263	Washer, lubricator	1	
Not illus.	83-4277	Distance piece, brake rod	1	

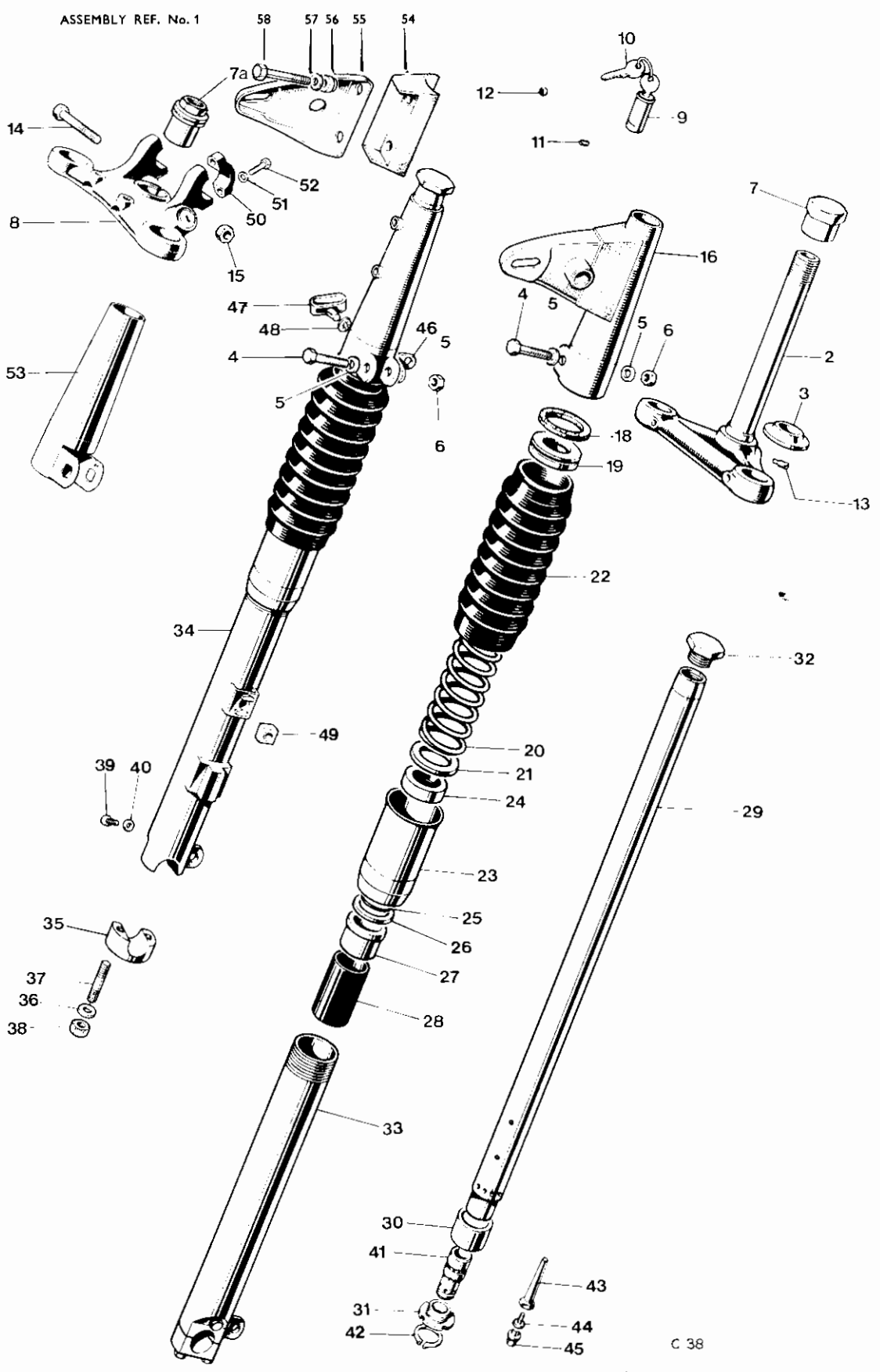


Fig. 16. TELESCOPIC FRONT FORK

C 38



Ref. No.	Part No.	DESCRIPTION	QUANTITY	REMARKS
<b>TELESCOPIC FRONT FORK</b>				
1	97-4501	FORK ASSEMBLY ... ..	1	
2	97-2288	Middle lug and stem ... ..	1	
3	97-0439	Bottom cone ... ..	1	
4	97-2290	Pinch bolt (2¼ in. U.H.) ... ..	2	
5	60-4246	Plain washer ... ..	3	
6	14-1303	Cleaveloc nut ... ..	2	
7	97-2263	Fork stem sleeve nut ... ..	1	
8	97-3662	Top lug ... ..	2	
9	82-6738	Lock c/w 2 keys ... ..	1	
10	60-0623	Key (state serial number) ... ..	1	Key no's run from EJR 1 to EJR 50
11	21-0578	Grub screw ... ..	1	
12	97-2266	Sealing washer ... ..	1	
13	97-2107	Locating pin ... ..	1	
14	21-0684	Pinch bolt (1½ in. U.H.) ... ..	1	
15	21-0685	Seated nut ... ..	1	
16	97-4502	Left top cover ... ..	1	
17	97-4503	Right top cover ... ..	1	
18	82-4047	Cork washer ... ..	2	
19	97-1657	Spring abutment ... ..	2	
20	97-1891	Main spring (Yellow/Blue) ... ..	2	
21	60-3273	Plain washer ... ..	2	
22	97-3635	Telescopic gaiter ... ..	2	
23	97-4167	DUST EXCLUDER SLEEVE NUT ... ..	2	
24	60-3274	Oil seal ... ..	2	
25	97-2119	"O" ring ... ..	2	
26	97-0431	Plain washer ... ..	2	
27	97-0441	Top bearing ... ..	2	
28	97-1896	Damping sleeve ... ..	2	
29	97-3904	STANCHION ... ..	2	
30	97-0443	Lower bearing ... ..	2	
31	97-2091	Bearing nut ... ..	2	
32	97-2245	Cap nut ... ..	2	
33	97-4170	LEFT BOTTOM MEMBER c/w CAP ... ..	1	
34	97-4220	RIGHT BOTTOM MEMBER c/w CAP ... ..	1	
35	97-1844	Spindle cap ... ..	2	
36	70-3446	Plain washer ... ..	4	
37	21-2024	Stud ... ..	4	
38	14-1202	Nut, self locking ... ..	4	
39	97-3894	Drain plug ... ..	2	
40	97-3893	Sealing washer ... ..	2	
41	97-2154	Shuttle valve ... ..	2	
42	97-2127	Circlip ... ..	2	
43	97-2090	Restrictor ... ..	2	
44	97-1062	Aluminium washer ... ..	2	
45	97-2126	Flanged bolt ... ..	2	
46	97-3682	Bracket ... ..	1	
47	97-2270	Cable retainer ... ..	1	
48	82-8245	Starlock washer ... ..	1	

**ALTERNATIVE FITMENTS (NOT U.S.A.)**

97-4516	Fork assembly ... ..	1
97-3659	Middle lug and stem ... ..	1

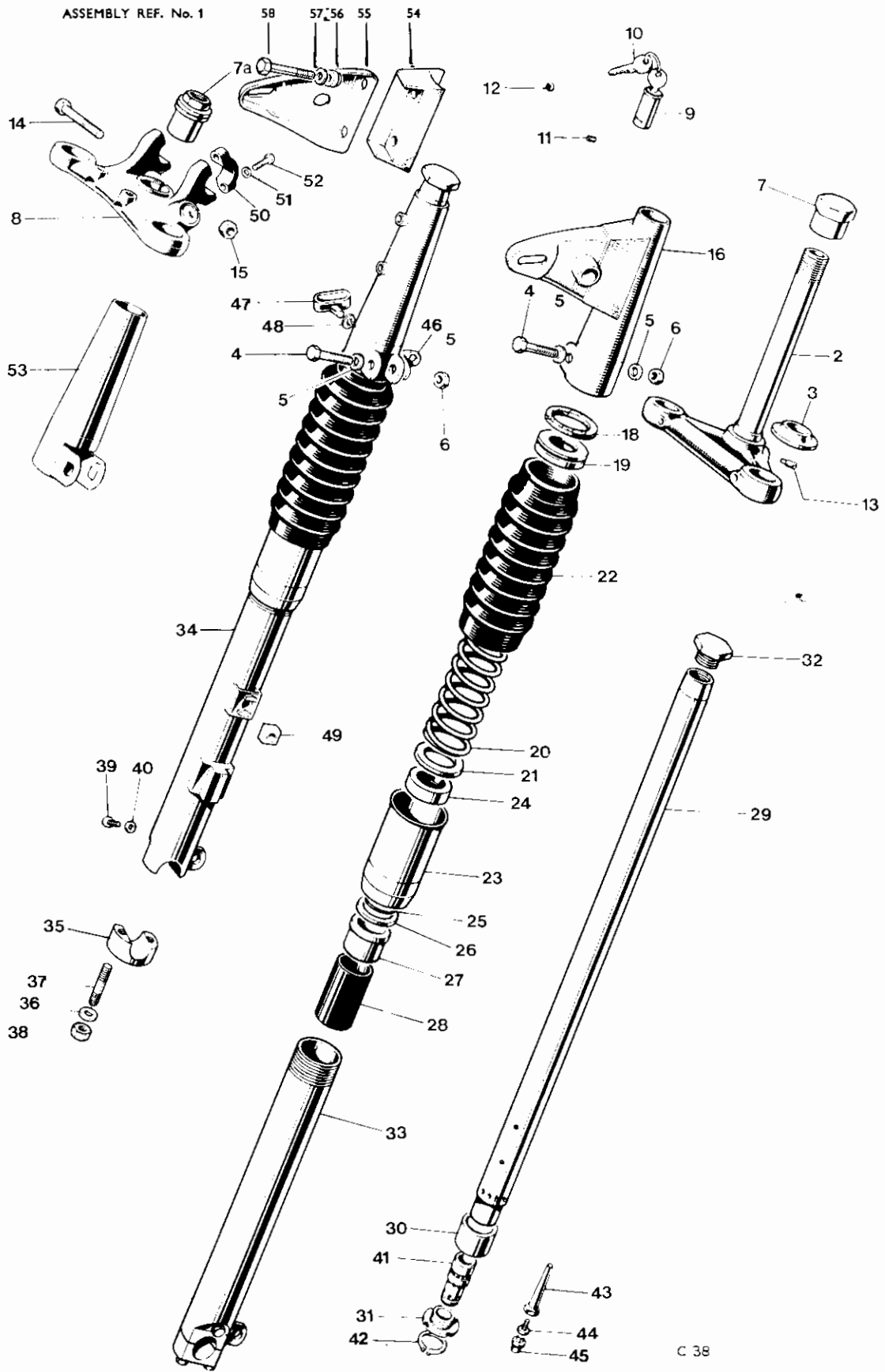


Fig. 16. TELESCOPIC FRONT FORK

Ref. No.	Part No.	DESCRIPTION	QUANTITY	REMARKS
<b>TELESCOPIC FRONT FORK (continued)</b>				
49	97-3926	Square nut ... ..	2	
50	97-0722	Cap ... ..	2	
51	60-4247	Plain washer ... ..	4	
52	21-0589	Bolt (1 $\frac{1}{8}$ in. U.H.) ... ..	4	
53	97-1696	Top cover ... ..		Available for use where headlamp removed
54	97-2208	Rubber mounting, headlamp bracket ... ..	2	
55	97-4121	Headlamp bracket—D.S. ... ..	1	
55	97-4203	Headlamp bracket—T.S. ... ..	1	
56	97-2209	Rubber buffer ... ..	4	
57	97-2210	Washer, headlamp bracket ... ..	4	
58	21-2095	Attachment bolt ... ..	4	
Not illus.	82-6784	Cable grommet (right top cover) ... ..	1	

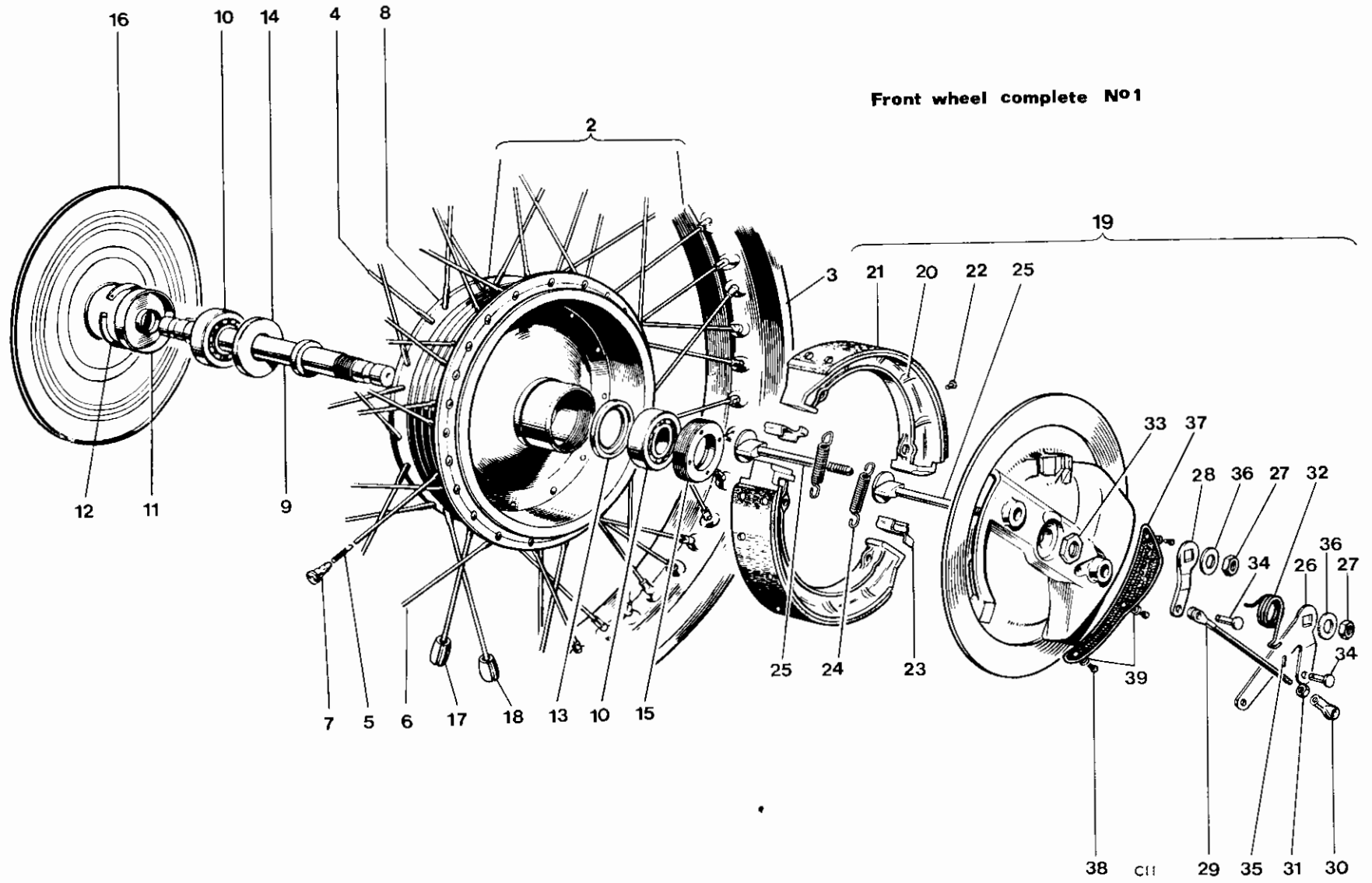


Fig. 17. FRONT WHEEL

Ref. No.	Part No.	DESCRIPTION	QUANTITY	REMARKS
<b>FRONT WHEEL</b>				
1	37-3458	FRONT WHEEL COMPLETE ... ..	1	
2	37-1721	RIM, SPOKES AND HUB ASSEMBLY ... ..	1	
3	37-1230	Front wheel rim (WM2-19) ... ..	1	
4	37-1328	Spoke (8/10G x 5 $\frac{3}{8}$ in. straight) c/w nipple ... ..	20	
5	37-1708	Spoke (8/10G x 4 $\frac{3}{8}$ in. 78°) c/w nipple ... ..	10	
6	37-1709	Spoke (8/10G x 4 $\frac{7}{8}$ in. 100°) c/w nipple ... ..	10	
7	37-4200	Spoke nipple ... ..	40	
8	37-1722	Hub and brake drum ... ..	1	
9	37-3582	Wheel spindle ... ..	2	
10	37-0653	Bearing ... ..	1	
11	37-1237	Dust cover ... ..	1	
12	57-0280	Circlip ... ..	1	
13	37-3337	Bearing support ring ... ..	1	
14	37-1481	Grease retainer ... ..	1	
15	37-0582	Retaining ring ... ..	1	
16	37-3460	Cover plate ... ..	1	
17	37-1197	Balance weight, $\frac{1}{2}$ oz. ... ..	As required	
18	37-1198	Balance weight, 1 oz. ... ..	As required	
19	37-3461	BRAKE ANCHOR PLATE ASSEMBLY ... ..	1	
20	37-1996	BRAKE SHOE c/w LINING ... ..	2	
21	Reference only	Brake lining ... ..	1	} Each shoe
22	Reference only	Brass rivet ... ..	8	
23	37-2026	Thrust pad ... ..	2	
24	37-0135	Shoe return spring ... ..	2	
25	37-2001	Brake cam ... ..	1	
26	37-3453	Brake cam lever (front) ... ..	1	
27	14-1303	Nut ... ..	2	
28	37-3454	Brake cam lever (rear) ... ..	1	
29	37-2003	Rod assembly ... ..	1	
30	37-2005	Fork end, threaded ... ..	1	
31	14-0401	Locknut ... ..	1	
32	37-3522	Lever return spring ... ..	1	
33	21-1995	Anchor plate nut ... ..	1	
34	60-4252	Pivot pin ... ..	2	
35	—	Split pin ( $\frac{1}{16}$ in. x $\frac{3}{8}$ in. long) ... ..	Reference only	
36	37-2027	Plain washer ... ..	2	
37	37-1991	Anchor plate gauze (for air scoop) ... ..	1	
38	21-1998	Taptite screw ... ..	3	
39	70-2351	Washer for taptite screws ... ..	3	

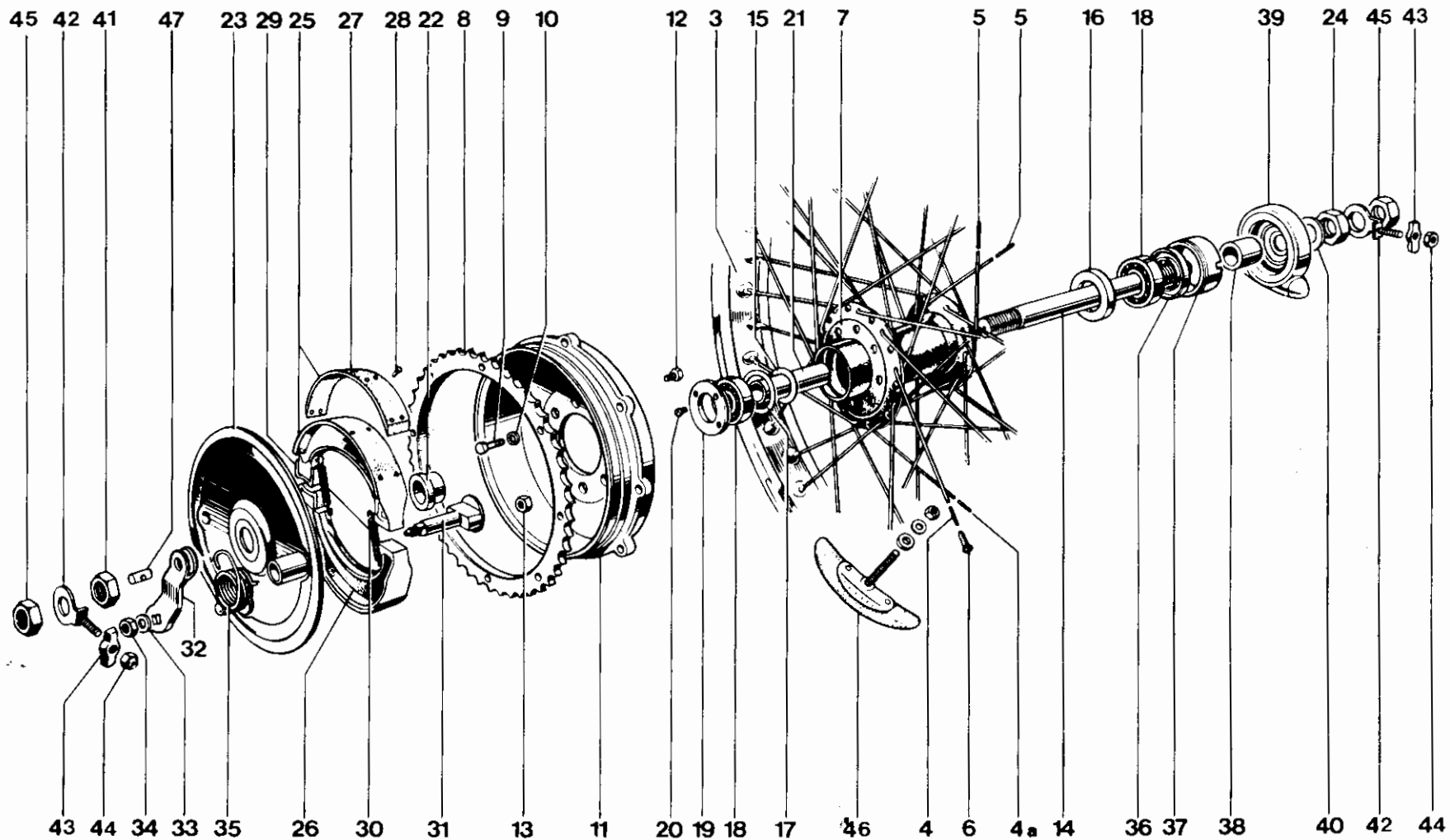


Fig. 18. REAR WHEEL

Ref. No.	Part No.	DESCRIPTION	QUANTITY	REMARKS
<b>REAR WHEEL</b>				
1	37-3607	REAR WHEEL COMPLETE ... ..	1	
2	37-3610	RIM, SPOKES AND HUB ASSEMBLY ... ..	1	
3	37-1007	Rear wheel rim WM3-18 ... ..	1	
4	37-1107	Spoke (8/10G x 7 $\frac{9}{16}$ in. 90°) ... ..	10	
4A	37-3402	Spoke (8/10G x 7 $\frac{9}{16}$ in. 110°) ... ..	10	
5	37-1108	Spoke (8/10G x 7 $\frac{9}{16}$ in. 90°) ... ..	20	
6	37-4200	Spoke nipple ... ..	40	
7	37-3586	Hub ... ..	1	
8	37-1499	Sprocket, 46T ... ..	1	
9	21-2010	Bolt ... ..	8	
10	70-1612	Serrated washer ... ..	8	
11	37-3585	Brake drum ... ..	1	
12	21-2011	Bolt ( $\frac{1}{2}$ in. U.H.) ... ..	8	
13	14-1202	Self-locking nut ... ..	8	
14	37-3589	Wheel spindle ... ..	1	
15	37-1474	Grease retainer (brake side) ... ..	1	
16	37-1654	Greaseretainer ... ..	1	
17	37-1022	Backing ring ... ..	1	
18	37-0653	Bearing ... ..	2	
19	37-3587	RETAINING RING ... ..	1	
20	37-1710	Locking screw ( $\frac{5}{16}$ in. U.H.) ... ..	1	
21	37-1278	Distance tube ... ..	1	
22	37-1024	Distance piece ... ..	1	
23	37-3590	Brake anchor plate ... ..	1	
24	21-2013	Nut ... ..	1	
25	37-1406	LEADING BRAKE SHOE C/W LINING ... ..	1	
26	37-1407	TRAILING BRAKE SHOE C/W LINING ... ..	1	
27	Reference only	Brake lining ... ..	2	
28	Reference only	Brass rivet ... ..	16	
29	37-1415-	Thrust pad ... ..	2	
30	37-0135	Shoe return spring ... ..	2	
31	37-3592	Brake cam ... ..	1	
32	37-2014	Brake cam lever ... ..	1	
33	37-2027	Plain washer ... ..	1	
34	60-4261	Nut ... ..	1	
35	37-1488	Lever return spring ... ..	1	
36	37-1635	Grease retainer ... ..	1	
37	37-3588	Speedometer adaptor ... ..	1	
38	37-1477	Distance piece ... ..	1	
39	60-0373	Speedometer gearbox ... ..	1	
40	37-1280	Plain washer ... ..	1	
41	21-2014	Nut D.S. inner ... ..	1	
42	37-2089	Chain adjuster ... ..	2	
43	37-1015	Adjuster end plate ... ..	2	
44	14-1902	Self-locking nut ... ..	2	
45	21-0585	Spindle nut ... ..	2	
46	37-3468	Tyre security bolt WM3 ... ..	2	
47	37-0011	Pivot pin ... ..	1	

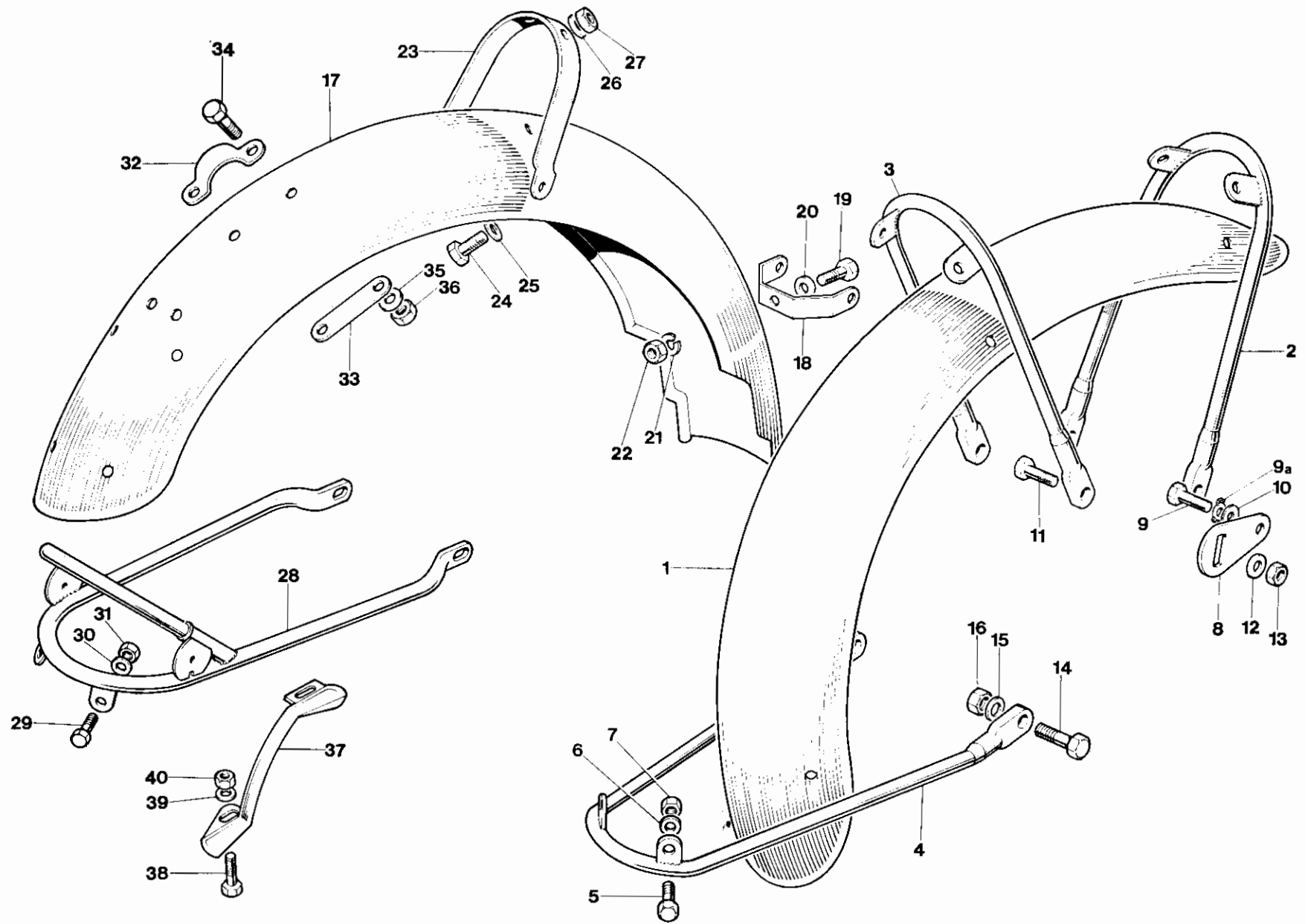


Fig. 19. FENDERS



Ref. No.	Part No.	DESCRIPTION	QUANTITY	REMARKS
<b>F E N D E R S</b>				
1	97-4439	Front fender ... ..	1	
2	97-3663	Front stay ... ..	1	
3	97-3664	Centre stay ... ..	1	
4	97-3886	Bottom stay ... ..	1	
5	14-0101	Bolt ... ..	6	
6	60-4245	Washer ... ..	6	
7	14-1201	Nut (Cleveloc) ... ..	6	
8	97-1685	Bracket D.S. and T.S. fork leg to stays ... ..	2	
9	14-0113	Bolt ... ..	2	
9A	97-4071	Tab washer ... ..	2	
10	60-3025	Washer ... ..	2	
11	14-0115	Bolt ... ..	2	
12	82-4299	Washer ... ..	2	
13	14-1302	Nut ... ..	2	
14	14-0115	Bolt ... ..	2	
15	60-4247	Washer ... ..	2	
16	14-1302	Nut ... ..	2	
17	83-4820	Rear fender ... ..	1	
18	82-6916	Bracket ... ..	1	
19	14-0101	Bolt ... ..	1	
20	82-6310	Washer ... ..	1	
21	60-4250	Washer ... ..	1	
22	14-1201	Nut (Cleveloc) ... ..	1	
23	82-6915	Bridge ... ..	1	
24	14-0102	Bolt ... ..	2	
25	82-6310	Washer ... ..	2	
26	60-4245	Washer ... ..	2	
27	14-1201	Nut (Cleveloc) ... ..	2	
28	83-5147	Lifting handle ... ..	1	
29	14-0102	Bolt ... ..	2	
30	60-4245	Washer ... ..	2	
31	14-1201	Nut (Cleveloc) ... ..	2	
32	82-5994	Clip ... ..	1	
33	82-6031	Backing plate ... ..	1	
34	14-0113	Bolt ... ..	2	
35	60-4247	Washer ... ..	2	
36	14-1302	Nut (Cleveloc) ... ..	2	
37	82-7826	Wiring protector ... ..	1	
38	14-0102	Bolt ... ..	2	
39	60-4245	Washer ... ..	2	
40	14-1201	Nut (Cleveloc) ... ..	2	
Not illus.	60-0777	Cable clip ... ..	1	
Not illus.	97-0961	Grommet ... ..	5	

**ALTERNATIVE FITMENTS (NOT U. S. A.)**

83-0216	Front number plate ... ..	1	
97-4126	Clip ) ... ..	2	
60-4245	Washer ) ... ..	2	
14-1301	Nut ) Number plate attachment ... ..	2	
21-2079	Screw ) ... ..	2	
21-0778	Nut ) ... ..	2	
83-2726	Rear number plate ... ..	1	
14-0101	Screw ) ... ..	4	
60-2329	Washer ) Rear number plate attachment ... ..	4	
14-1301	Nut ) ... ..	4	
83-4251	Rear mudguard-long ... ..	Special Export Requirement	

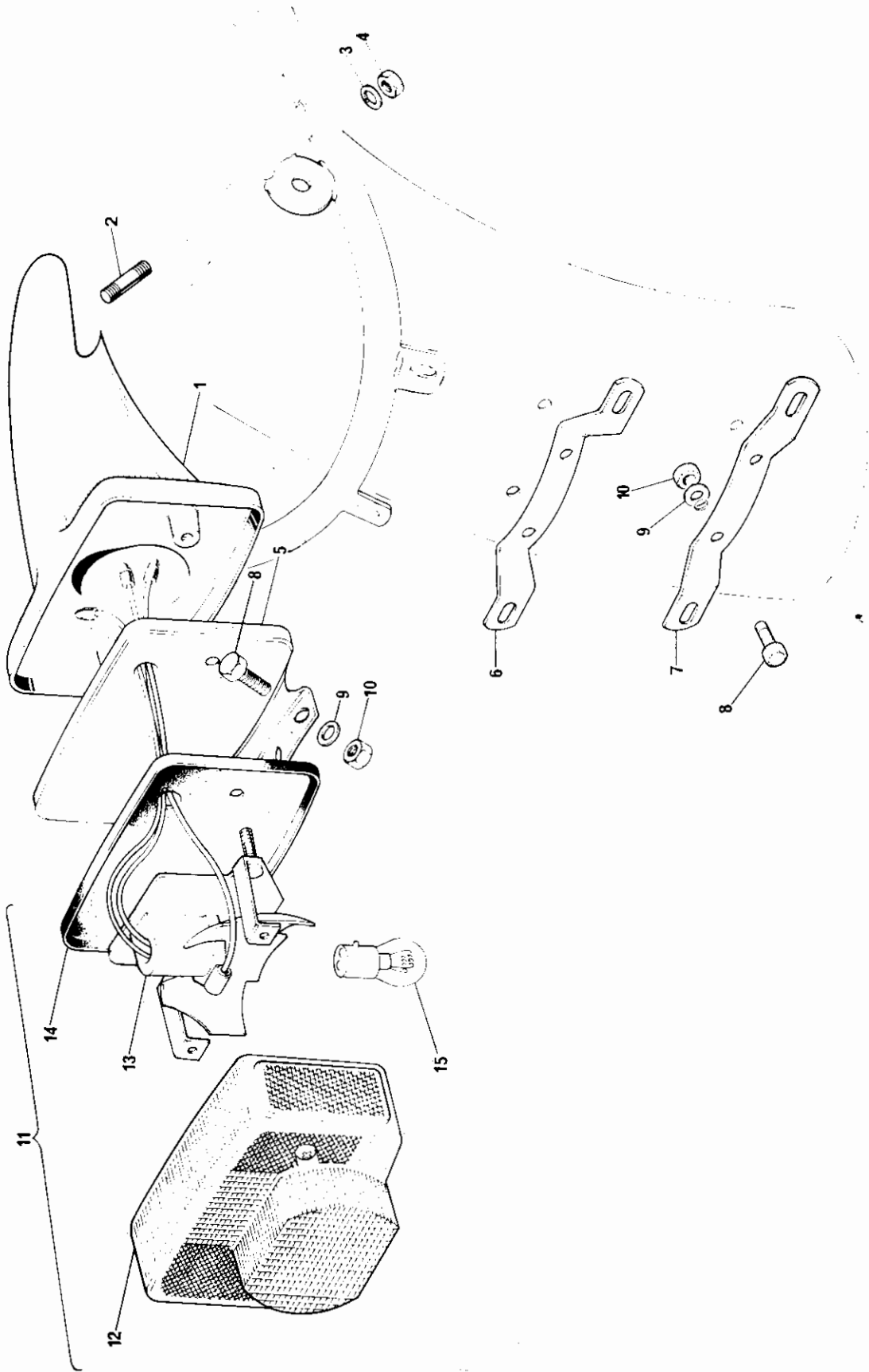


Fig. 20. TAIL LAMP AND SUPPORT

C 50

**TAIL LAMP AND SUPPORT**

1	83-4774	Tail lamp support	1	
2	21-2225	Stud	1	
3	60-4250	Washer	1	} Tail lamp support to fender
4	14-0301	Nut	1	
5	83-5001	Support plate	1	
6	83-4784	Rear no. plate bracket—top	1	
7	82-6850	Rear no. plate bracket—bottom	1	
8	14-0102	Bolt	4	} No. plate brackets and support plate to fender
9	60-2329	Washer	4	
10	14-1301	Nut	4	
Not illus.	83-4806	Wiring protector	1	
11	56513	STOP—TAIL LAMP—L917 (99-1252)	1	
12	54584930	Lens (complete with screws) (99-1257)	1	
13	54534931	Base assembly		Reference only
14	54583924	Gasket		Reference only
15	380	Bulb (99-0542)	1	
Not illus.	83-5105	Grommet	2	

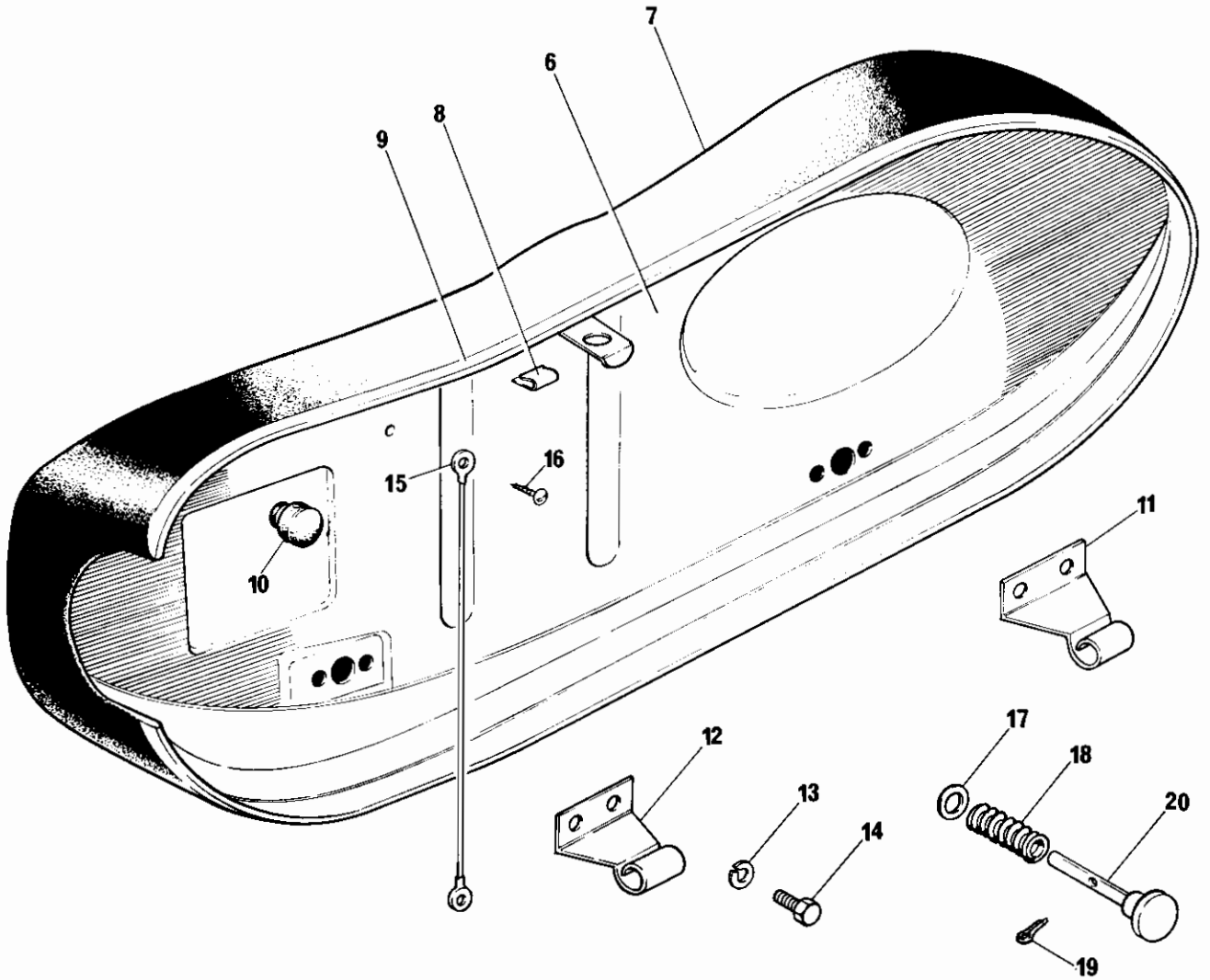
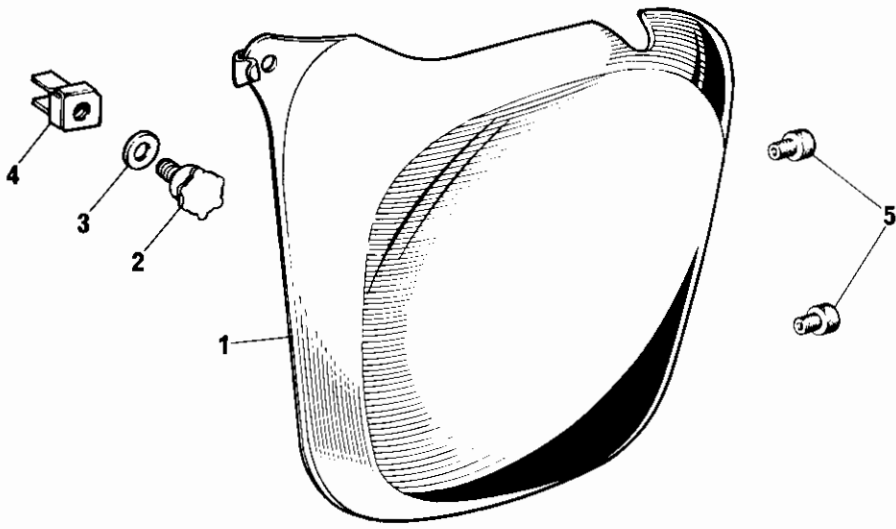


Fig. 21. PANELS AND TWINSEAT

**PANELS AND TWINSEAT**

1	83-1358	Left panel and toolbox	1	
2	83-1357	Toolbox screw	1	
3	83-1377	Washer	1	
4	83-0222	Captive nut	1	
5	82-5673	Grommet	2	
6	83-1573	TWINSEAT	1	
7	82-9715	Twinseat cover	1	
Not illus.	60-0052	Transfer, positive earth	1	
8	60-0697	Sprag	4	
9	60-0696	Trim strip (bright)	1	
10	82-4898	Buffer front	2	
Not illus.	82-7835	Buffer rear	2	
11	82-8026	Hinge front	1	
12	82-7862	Hinge rear	1	
13	60-4250	Spring washer	4	
14	14-0101	Bolt	4	
15	60-0374	Check wire	1	
16	60-2381	Self tapping screw	2	
17	71-3749	Washer	1	
18	82-4228	Spring	1	
19	—	Split pin ( $\frac{3}{32}$ in. x $\frac{1}{2}$ in.)		Reference only
20	82-7560	Seat knob and plunger	1	
Not illus.	60-2106	Transfer Daytona	1	

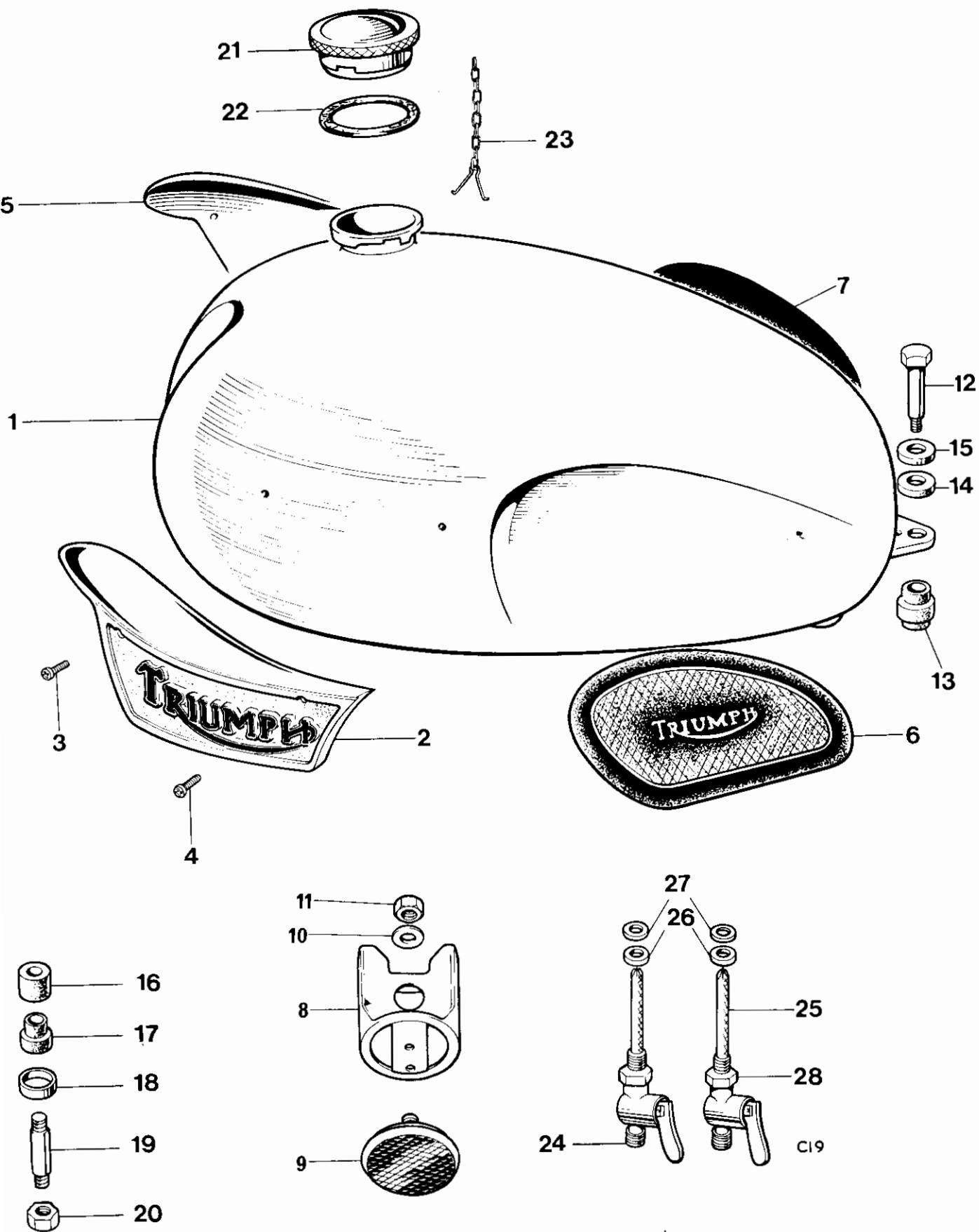


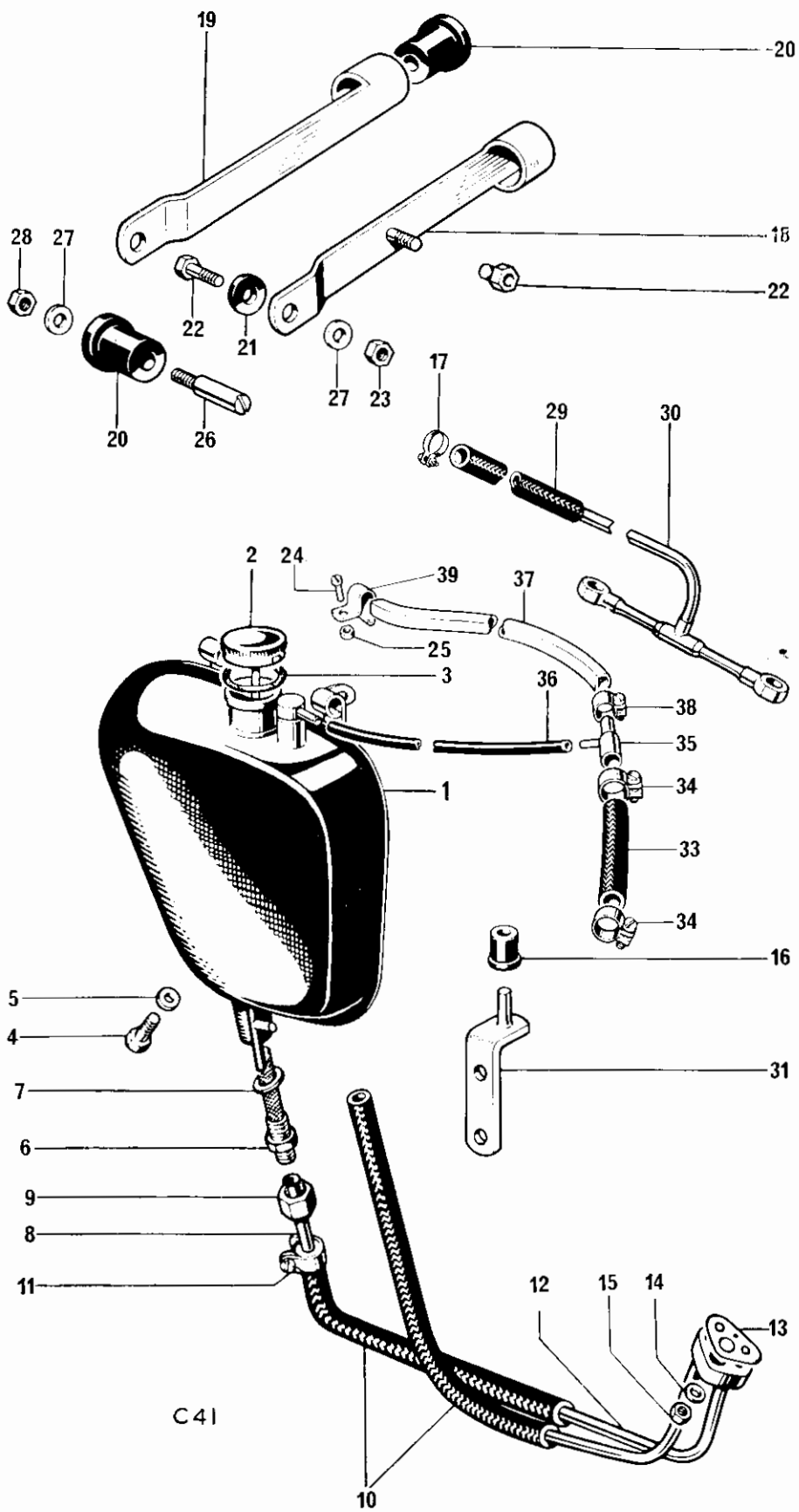
Fig. 22. GAS TANK

**GAS TANKS**

1	83-5412	Petrol tank (2½ U.S. Galls.) ... ..	1	
2	82-9701	Styling unit (left) ... ..	1	
3	83-1339	Styling unit screw (27/64 in. O.A.) front ... ..	2	
4	82-7888	Styling unit screw (35/64 in. O.A.) rear ... ..	2	
5	82-9700	Styling unit (right) ... ..	1	
6	82-8192	Left knee grip ... ..	1	} Available
7	82-8193	Right knee grip ... ..	1	
8	83-2903	Reflector bracket ... ..	2	
9	57183	Reflector, amber (99-1161) ... ..	2	
10	60-2391	Washer (front reflectors) ... ..	2	
11	82-4717	Nut (front reflectors) ... ..	2	
12	82-7388	Rear bolt ... ..	1	
13	82-5336	Double spigot rubber ... ..	1	
14	82-0967	Rubber washer ... ..	1	
15	82-3814	Cup ... ..	1	
16	82-5228	Rubber washer ... ..	2	
17	82-5229	Spigot rubber ... ..	2	
18	82-3814	Cup ... ..	2	
19	21-1883	Stud ... ..	2	
20	14-1302	Nut ... ..	2	
21	83-3875	FILLER CAP ... ..	1	
22	82-4048	Joint washer ... ..	1	
23	82-3217	Jack chain ... ..	1	
24	83-2801	Petrol tap—D.S. ... ..	1	
25	83-2800	Petrol tap—T.S. ... ..	1	
26	70-7351	Petrol tap seal ... ..	2	
27	83-0002	Steel washer ... ..	2	
28	83-0006	Tap nut ... ..	2	
Not illus.	{ 60-0056	Transfer, World Speed Record ... ..	1	
		60-0061	Transfer, Made in England ... ..	1
		60-2106	Transfer, Daytona ... ..	1

**ALTERNATIVE FITMENTS (NOT U.S.A.)**

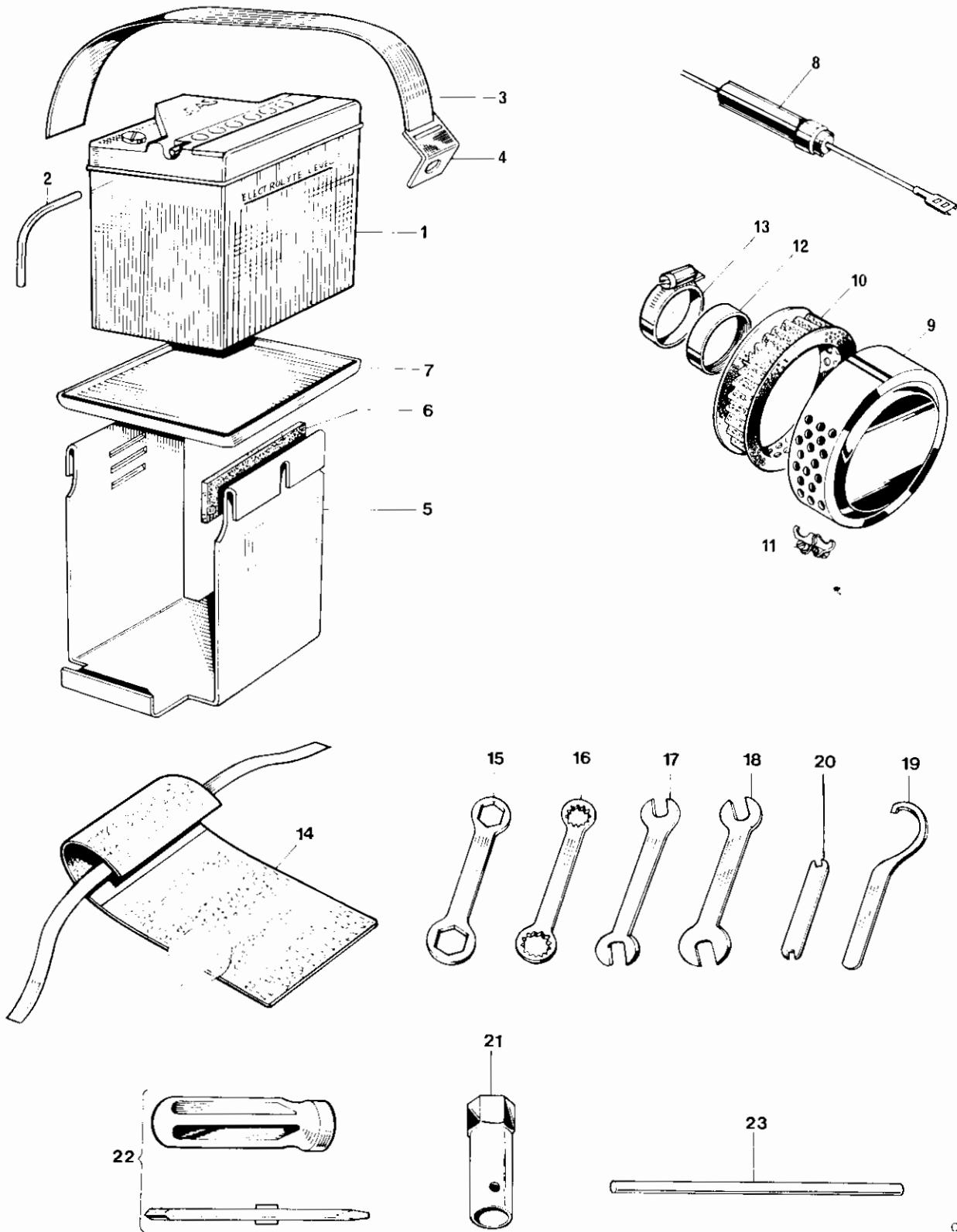
83-5419	Petrol tank (3 Imp. Galls.) ... ..	1
82-1717	Petrol tap ... ..	1
82-1511	Tap seal ... ..	2
82-9269	Petrol pipe ... ..	1



**Fig. 23. OIL TANK**



Ref. No.	Part No.	DESCRIPTION	QUANTITY	REMARKS
<b>OIL TANK</b>				
1	83-3290	Oil tank ... ..	1	
2	82-9659	FILLER CAP AND DIPSTICK	1	
3	82-4047	Joint washer	1	
4	82-5343	Drain plug	1	
5	99-0048	Fibre washer	1	
6	82-3179	Oil tank filter	1	
7	82-1713	Fibre washer	1	
8	82-3655	Upper feed pipe	1	
9	82-3182	Union nut	1	
10	70-4594	Flexible connector, long	2	
11	70-6848	Clip	4	
12	70-7203	Oil pipes and junction block	1	
13	71-3754	Joint washer	1	
14	70-3446	Plain washer	1	
15	21-1908	Nut	1	
16	82-6039	Grommet	1	
17	70-6849	Clip (rocker pipe)	1	
18	82-9255	Front strap	1	
19	82-8028	Rear strap	1	
20	82-6673	Spigot rubber	4	
21	82-6968	Rubber washer	2	
22	14-0103	Bolt	2	
23	14-0701	Self-locking nut	2	
24	97-3894	Screw	4	
25	82-4717	Nut	4	
26	82-7510	Screwed peg	2	
27	60-4248	Plain washer	4	
28	14-1301	Nut	3	
29	70-6353	Rubber connector	1	
30	70-7576	Rocker oil feed pipe	1	
31	82-6898	Bracket	1	
32	82-8034	Spigot nut	1	
Not illus.	60-1816	Grouped transfer "Drain and Refill" etc.	1	
33	71-1149	Breather vent pipe	1	
34	60-2253	Clip breather vent pipe	2	
35	83-1610	'T' piece connector	1	
36	83-1613	Froth tower vent pipe	1	
37	83-1614	Breather pipe, rear guard	1	
38	60-2252	Clip, pipe to 'T' piece	1	
39	83-1615	Clip, pipe to rear guard	1	



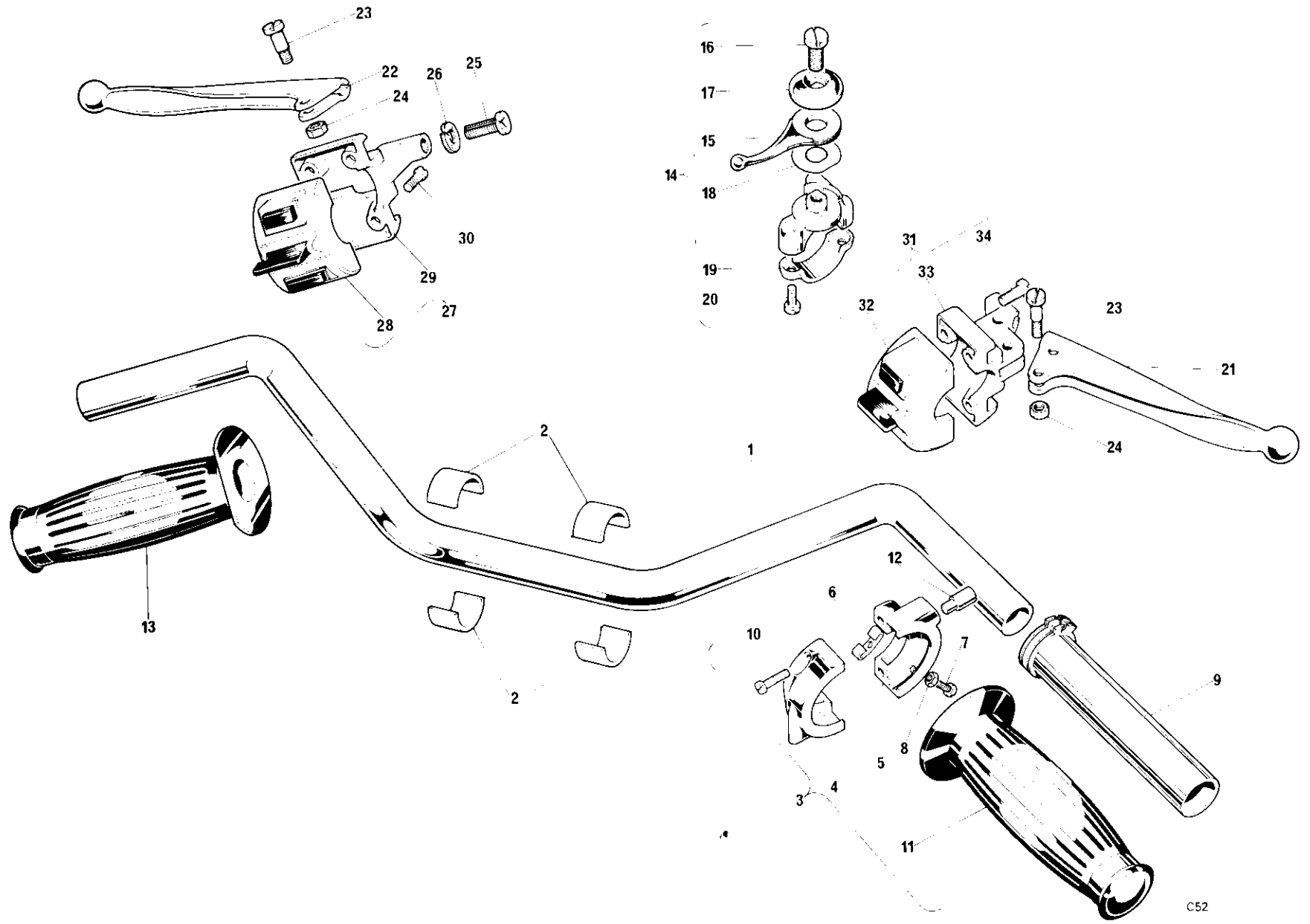
**Fig. 24. BATTERY, TOOLKIT AND AIR FILTER**

C28

**BATTERY, TOOLKIT AND AIR FILTER**

1	54027029	Battery PUZ5A (99-0719)	1	
2	82-7431	Vent pipe	1	
3	82-8033	Battery retaining strap	1	
4	82-8032	Battery strap anchorage	1	
5	82-8024	Battery carrier	1	
6	82-8031	Battery carrier rubber	1	
7	82-8091	Battery carrier tray	1	
8	54938986	Fuse assembly		Reference only
9	83-1609	AIR FILTER	1 or 2	
10	82-6866	Filter element (Filter cloth and gauze)	1 or 2	
11	82-4810	Clip for cover	1 or 2	
12	71-2086	Adaptor	1 or 2	
13	60-0708	Clip	1	
—	60-2110	TOOL KIT	1	
14	60-0291	Tool roll	1	
15	60-2251	Ring spanner	1	
16	60-1907	Ring spanner	1	
17	60-2084	Open end spanner	1	
18	60-0016	Open end spanner	1	
19	60-2184	C spanner	1	
20	60-2185	Tappet spanner	1	
21	60-0087	Box spanner for sparking plug	1	
22	60-0767	Screwdriver c/w blade	1	
23	60-1911	Tommy bar	1	
Not illus.	60-2599	Licence holder		Available

09

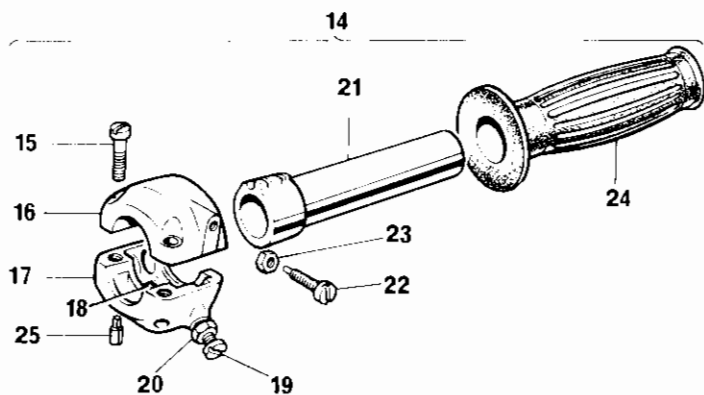
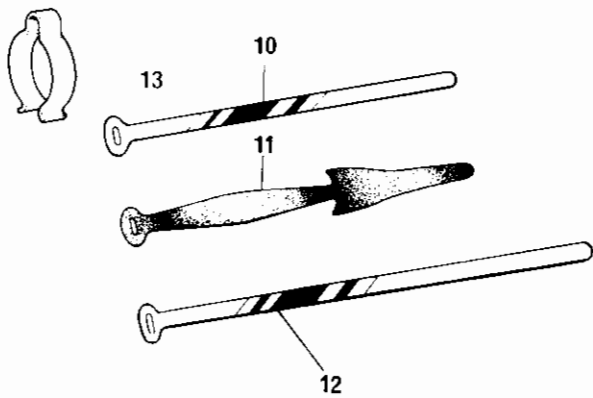
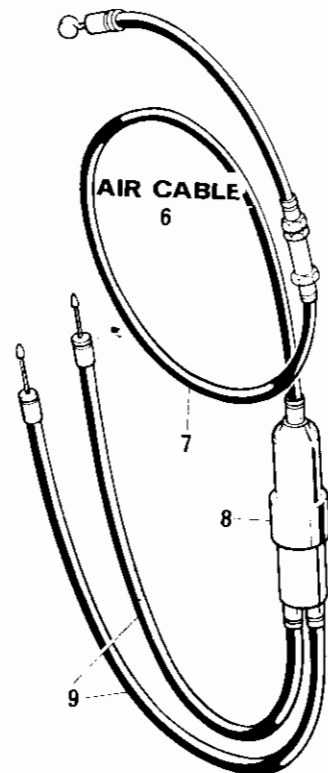
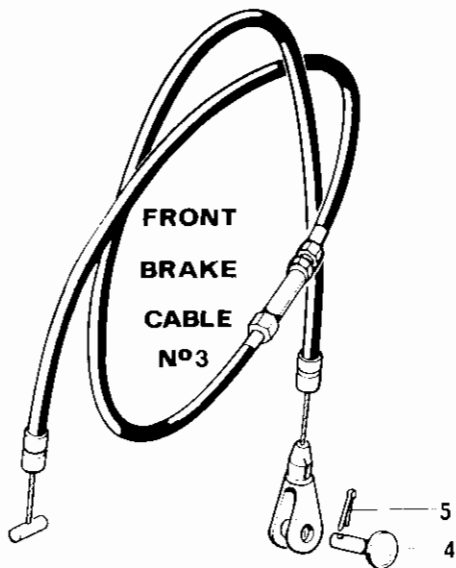
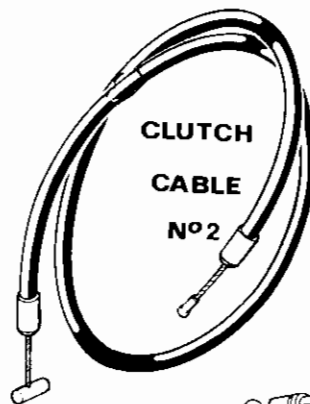
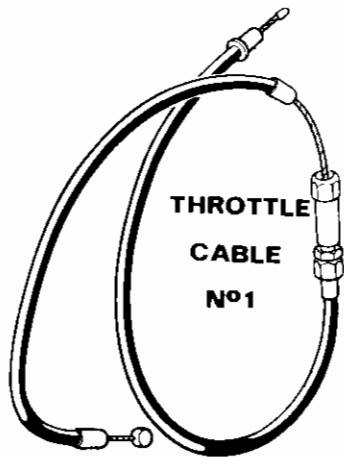


C52

Fig. 25. HANDLEBAR AND CONTROL LEVERS

### HANDLEBAR AND CONTROL LEVERS

1	97-4252	Handlebar ... ..	1	
2	97-1425	Sleeve, handlebar mounting ... ..	4	
3	16/364	TWISTGRIP (99-0248) ... ..	1	
4	16/328	Body, top half (99-0245) ... ..	1	
5	16/329	BODY, BOTTOM HALF (99-0246) ... ..	1	
6	16/008	Friction spring ... ..		Reference only
7	16/009	Screw ... ..		Reference only
8	16/010	Locknut ... ..		Reference only
9	16/091	Rotor (99-0244) ... ..	1	
10	11/013	Screw (99-0225) ... ..	2	
11	97-2125	Grip ... ..	1	
12	16/011	Cable stop (99-0241) ... ..	1	
13	97-2124	Grip ... ..	1	
14	12/608	AIR CONTROL LEVER (60-3246) ... ..	1	
15	12/556	Lever ... ..		Reference only
16	12/607	Bolt ... ..		Reference only
17	12/606	Cap ... ..		Reference only
18	12/033	Spring washer ... ..		Reference only
19	12/040	Clamp ... ..		Reference only
20	11/014	Screw ... ..		Reference only
21	60-3980	Front brake lever ... ..	1	
22	60-3994	Clutch lever ... ..	1	
23	21-2048	Pivot pin ... ..	2	
24	14-1301	Nut ... ..	2	
25	60-3585	Adjuster ... ..	2	
26	60-3586	Lockring ... ..	2	
27	39595	HANDLEBAR SWITCH—L.H. ... ..		Reference only
28	54033667	Switch half ... ..		Reference only
29	54340883	Lever half (99-1215) ... ..	1	
30	54115246	Screw (99-1188) ... ..	4	
31	39785	HANDLEBAR SWITCH—R.H. ... ..		Reference only
32	54033722	Switch half ... ..		Reference only
33	54343793	Lever half (99-1261) ... ..	1	
34	54115246	Screw (99-1188) ... ..	4	



C24

Fig. 26. CONTROL CABLES

**CONTROL CABLES**

1	60-1822	Throttle cable ... ..	2	
2	60-1994	Clutch cable ... ..	1	
3	60-4118	Front brake cable ... ..	1	
4	60-4252	Pivot pin ... ..	1	
5	—	Split pin ... ..	Reference only	
6	60-3271	AIR CONTROL CABLE ... ..	1	
7	60-3272	Cable, lever to junction box ... ..	1	
8	244/104	Junction box (99-0341) ... ..	1	
9	60-0745	Cable, junction box to carburetor ... ..	2	
10	60-4254	Clip, metal ... ..	} As required	
11	60-4258	Clip, rubber ... ..		
12	82-9918	Clip, metal ... ..		
13	97-4112	Cable clip ... ..	4	
14	313/13	TWIN ROTOR TWISTGRIP (99-0347) ... ..	Alternative.	
15	18/084	Screw ... ..	} Reference only	
16	313/020	Body, top half ... ..		
17	313/021	Body, bottom half ... ..		
18	16/008	Friction spring ... ..		
19	210/007	Screw ... ..		
20	5/077	Nut ... ..		
21	313/004	Rotor ... ..		
22	210/008	Rotor stop screw ... ..		
23	5/077	Nut ... ..		
24	97-2125	Grip ... ..	1	
25	16/011	Cable stop ... ..	Reference only	

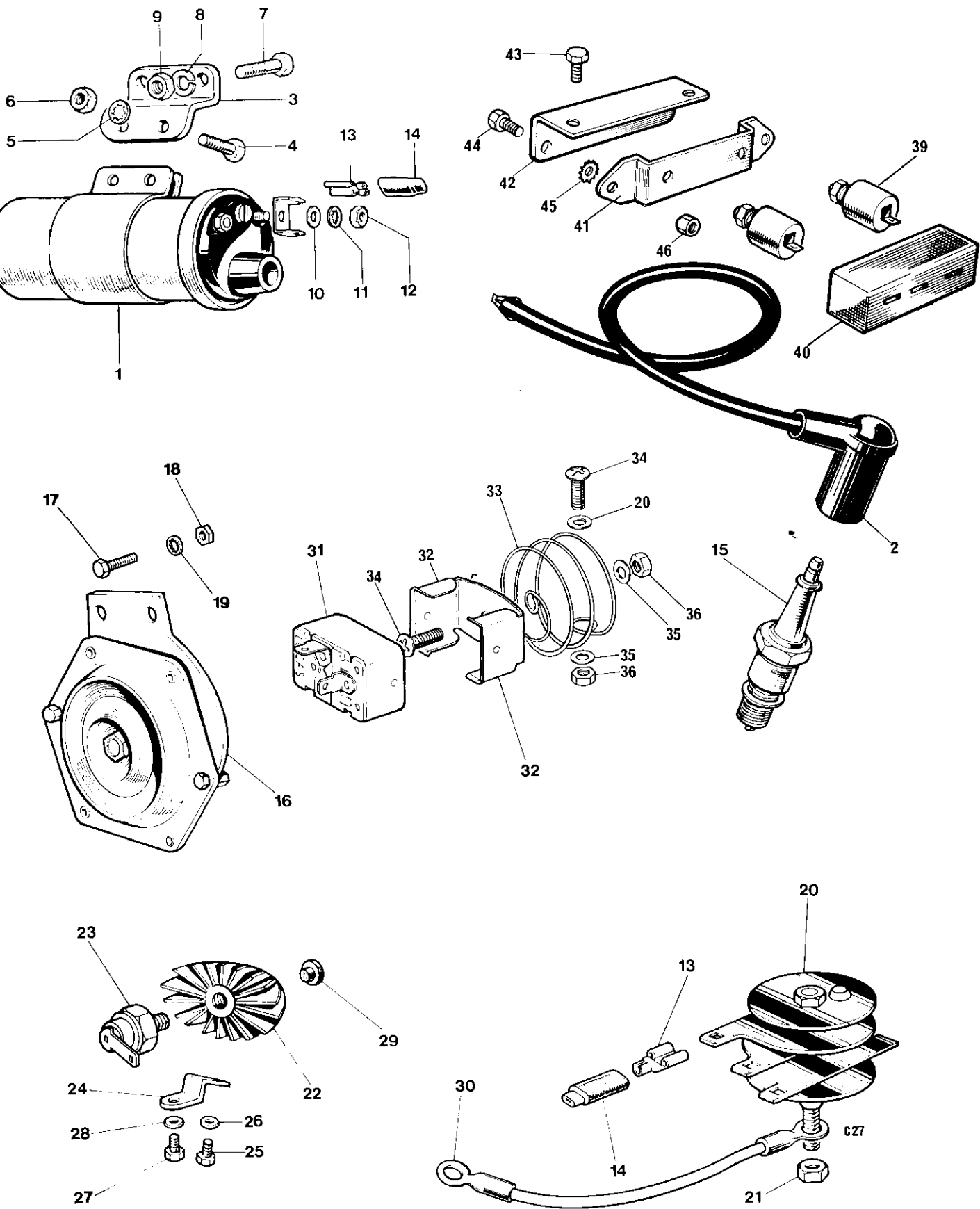


Fig. 27. IGNITION COILS, HORN, RECTIFIER AND ZENER DIODE



Ref. No.	Part No.	DESCRIPTION	QUANTITY	REMARKS
<b>IGNITION COILS, HORN, RECTIFIER AND ZENER DIODE</b>				
1	45223	Ignition coil (60-2206) Lucas type 17 M12 ... ..	2	
2	60-0262	Plug cover ... ..	2	
2	60-3891	Plug cover—fully screened ... ..	Available	
3	83-1533	Coil bracket ... ..	2	
4	14-0103	Bolt (Coil to bracket) ... ..	4	
5	60-4245	Washer ... ..	4	
6	14-1301	Nut ... ..	4	
7	14-0114	Bolt (Coil bracket to frame) ... ..	2	
8	60-4247	Washer ... ..	2	
9	14-1302	Nut ... ..	2	
10	131023	Plain washer (70-2351) ... ..	4	
11	188330	Serrated washer (60-4256) ... ..	4	
12	166043	Nut (82-3799) ... ..	4	
13	54942078	Lucar connector ... ..	As required	
14	54190042	Insulating cover... ..	As required	
15	N4	Champion sparking plug ... ..	Reference only	
16	82-7552	Horn (Clearhooter 27899) ... ..	1	
17	82-4771	Screw ( $\frac{3}{8}$ in. U.H.) ... ..	2	
18	82-3799	Nut ... ..	3	
19	60-4256	Serrated washer ... ..	3	
20	49072	Rectifier, type 2DS 506 (99-0589) ... ..	1	
21	82-5338	Nut ... ..	1	
22	97-2237	Heat sink ... ..	1	
23	49345	Zener Diode(99-0590) ... ..	1	
24	97-4262	Heat sink bracket ... ..	1	
25	14-6102	Bolt ... ..	1	
26	60-4250	Washer ... ..	1	
27	14-0113	Bolt, bracket to fork lug ... ..	1	
28	60-4260	Washer ... ..	1	
29	97-2275	Plug, heatsink ... ..	1	
30	54190000	Earth blade, rectifier (99-1159) ... ..	1	
31	35048	Flasher unit (99-1201) ... ..	1	
32	54385091	Clip, flasher unit (99-1204) ... ..	1	
33	60-3654	Spring ... ..	1	
34	83-0033	Bolt ... ..	1	
35	70-2351	Washer ... ..	1	
36	82-4717	Nut ... ..	1	
37	60-4248	Washer ... ..	1	
38	47638	CONDENSER PACK—2CP ... ..	Reference only	
39	54420128	Condenser (99-1043) ... ..	2	
40	54418528	Cover (99-0767) ... ..	1	
41	54418526	Base plate (99-1160) ... ..	1	
42	82-8082	Mounting bracket ... ..	1	
43	70-4638	Screw ... ..	2	
44	83-0033	Bolt ... ..	2	
45	60-4256	Shakeproof washer ... ..	2	
46	82-3799	Nut ... ..	2	

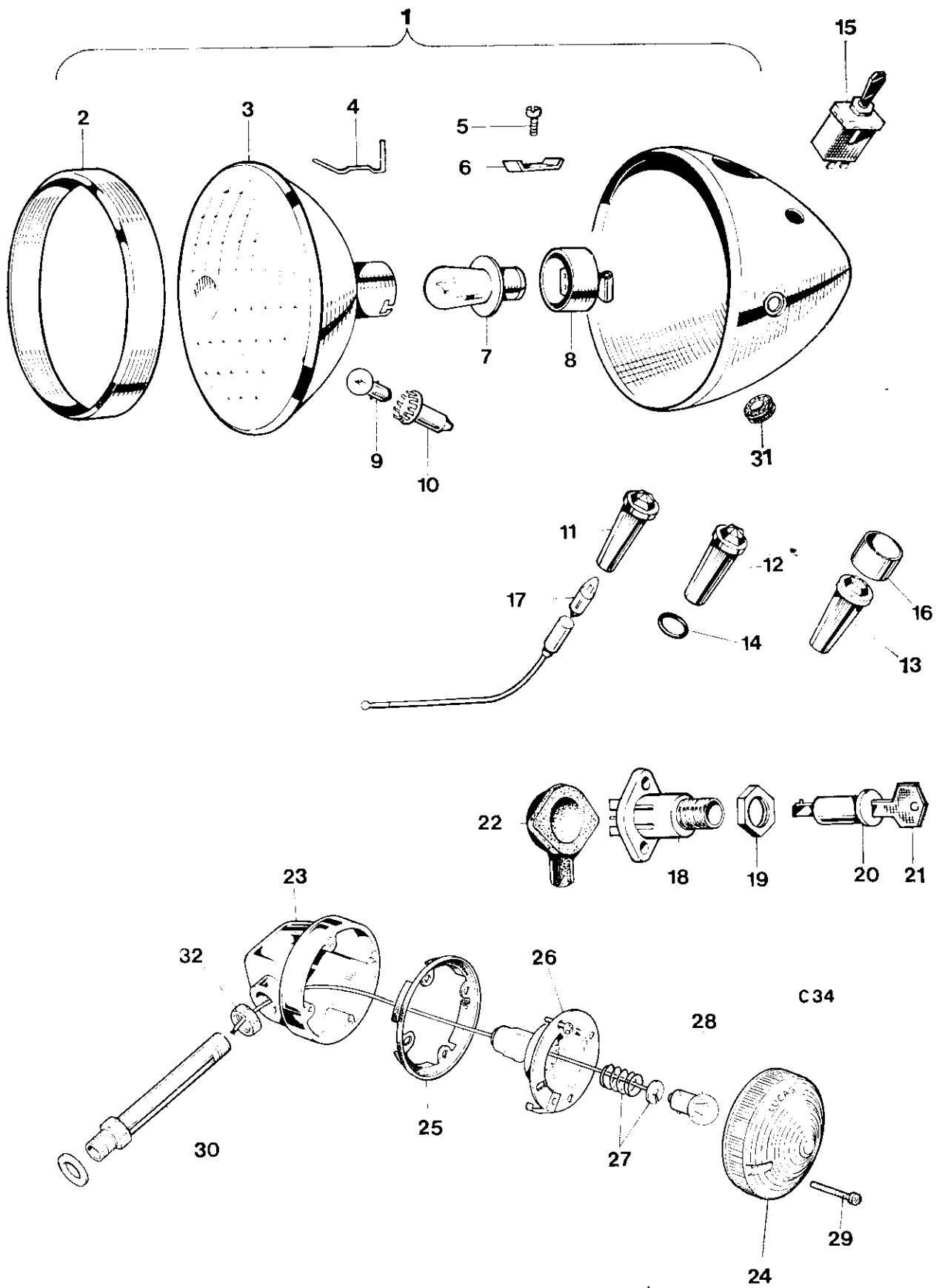
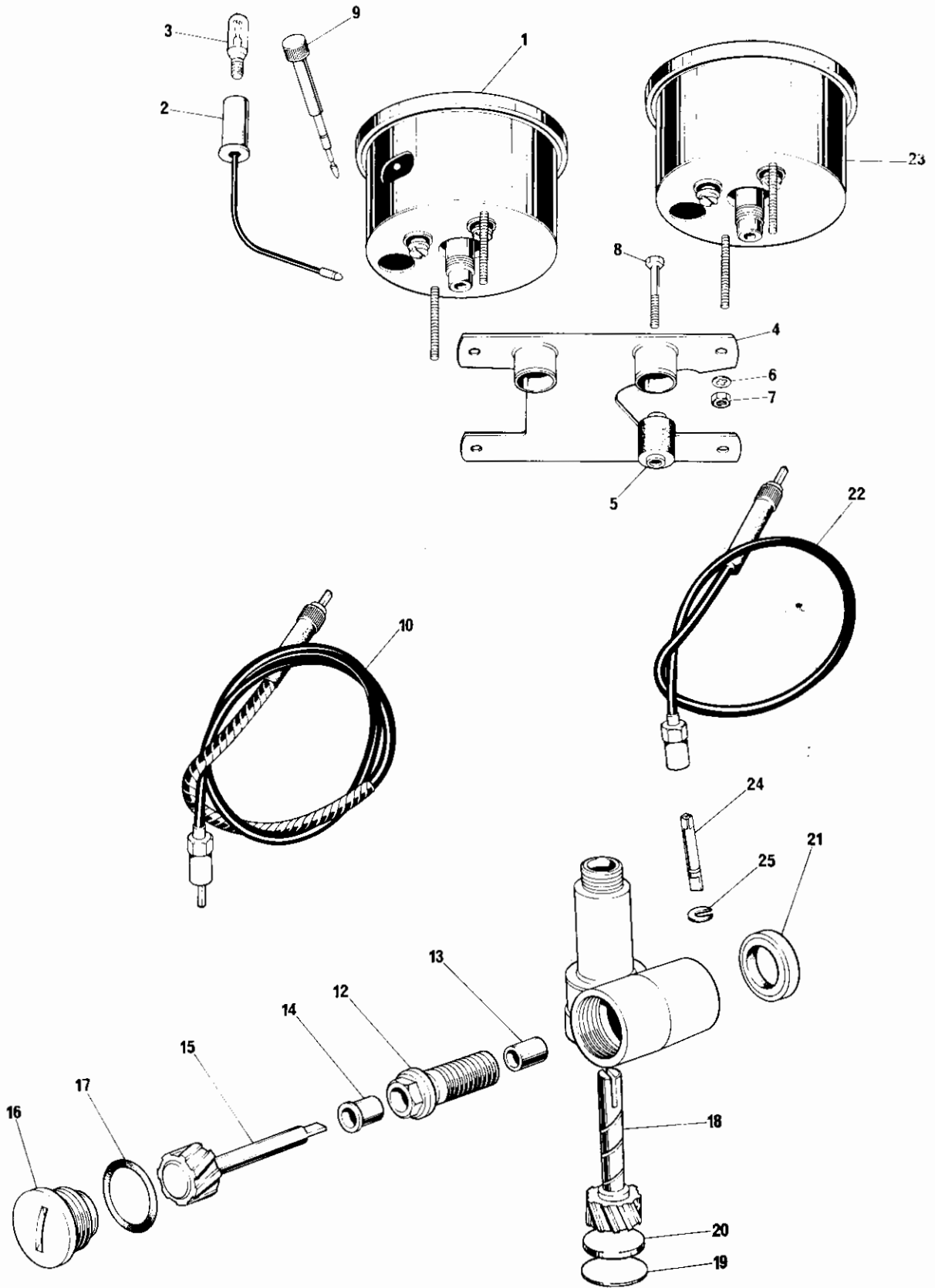


Fig. 28. HEADLAMP, WIRING HARNESS, SWITCHES AND TAIL LAMP

Ref. No.	Part No.	DESCRIPTION	QUANTITY	REMARKS
----------	----------	-------------	----------	---------

### HEADLAMP AND FLASHER LAMPS

1	60263	HEADLAMP COMPLETE SS700P (99-1155)	1	
2	553248	Rim (99-0692)	1	
3	516801	Light unit (99-1156)	1	
4	504665	Fixing wire (99-0683)	6	
5	14492	Screw		Reference only
6	534296	Plate		Reference only
7	370	Main bulb (45/35W) (99-1214)	1	
8	554602	Bulbholder		Reference only
9	989	Pilot bulb (99-0548)	1	
10	54573590	Pilot bulbholder (99-1213)	1	
11	54363454	Warning light (Red) (99-1208)	1	
12	54363455	Warning light (Green) (99-1209)	1	
13	54363453	Warning light (Amber) (99-1207)	1	
14	54140331	Sealing washer (99-1210)	3	
15	35710	Light switch (57SA) (99-0563)	1	
16	54525212	Shield, warning light		Reference only
17	281	Bulb, warning light (99-0537)	3	
Not illus.	54959628	Wiring harness (99-1158)	1	
18	31899	IGNITION SWITCH (TYPE S45) (99-0558)	1	
19	54130041	Nut		Reference only
20	82-6981	IGNITION LOCK C/W KEY	1	
21	60-0622	Key (state serial number)		As required
22	97-2262	Cover, ignition switch	1	
23	56147	FLASHER LAMP (99-1109)	4	
24	54581638	Lens (99-1191)	1	
25	54580300	Gasket		Reference only
26	554548	Bulbholder		Reference only
27	573832	Interior assembly		Reference only
28	382	Bulb (99-1192)	1	
29	5412340†	Screw (99-1193)	2	
30	60600092	Stanchion, flasher lamp (99-1246)	4	
31	862217	Grommet		Reference only
Not illus.	37-2321	Shakeproof washer	4	



**TACHOMETER GEARBOX COMPLETE 11**

**Fig. 29. SPEEDOMETER AND TACHOMETER**

### SPEEDOMETER AND TACHOMETER

1	SSM5007/02	Speedometer head MPH (60-2402) ... ..	1	
1	55M 5007/03	Speedometer head KPH (60-2403) ... ..	Available	
2	54953387	Bulb holder ... ..	Reference only	
3	987	Bulb, 2.2W. M.E.S. ... ..	Reference only	
4	97-1946	MOUNTING BRACKET ... ..	1	
5	97-1929	Metalastik bush ... ..	2	
6	60-2391	Washer ... ..	2	
7	21-0778	Nut ... ..	2	
8	21-0590	Bolt (1 $\frac{3}{8}$ in. U.H.) .. ..	2	
9	41-148-203	Trip control ... ..	1	
10	60-0692	Speedometer cable (60-0692W inner only) ... ..	1	
11	71-2476	TACHOMETER GEARBOX ... ..	1	
12	70-9332	SECURING SCREW ... ..	1	
13	70-5156	Bush ... ..	Reference only	
14	70-5155	Flanged bush ... ..	Reference only	
15	70-5157	Driving gear ... ..	1	
16	71-2480	End cap ... ..	1	
17	60-3355	'O' ring ... ..	1	
18	71-2653	Driven gear ... ..	1	
19	71-2481	Welch washer ... ..	1	
20	71-2482	Spacer ... ..	1	
21	70-7351	Sealing washer ... ..	1	
22	60-0648	Tachometer cable ... ..	1	
23	RSM3003/13	Tachometer (60-2396) ... ..	1	
24	31-371-398	Spade (99-0173) ... ..	1	
25	60-0494	Circlip ... ..	1	

## STANDARD HARDWARE SPECIFICATION BOLTS

Part No.	Material	Thd. dia.	Length under head	Min. length of thread	Hexagon A.F.
21-1822	Steel	$\frac{5}{16}$ " UNF	$\frac{1}{2}$ "	$\frac{27}{64}$ "	0.500"
21-1910	"	$\frac{3}{8}$ " UNF	$\frac{13}{16}$ "	$\frac{13}{16}$ "	0.565"
21-1919	"	$\frac{5}{16}$ " UNC	$1\frac{5}{8}$ "	$\frac{7}{8}$ "	0.500"
21-2010	"	$\frac{1}{4}$ " UNF	$\frac{13}{16}$ "	$\frac{3}{4}$ "	0.375"
14-0101	"	$\frac{1}{4}$ " UNF	$\frac{1}{2}$ "		0.438"
14-0102	"	$\frac{1}{4}$ " UNF	$\frac{5}{8}$ "		0.438"
14-0103	"	$\frac{1}{4}$ " UNF	$\frac{3}{4}$ "		0.438"
14-0105	"	$\frac{1}{4}$ " UNF	1"		0.438"
14-0113	"	$\frac{5}{16}$ " UNF	$\frac{5}{8}$ "		0.500"
14-0114	"	$\frac{5}{16}$ " UNF	$\frac{3}{4}$ "		0.500"
14-0115	"	$\frac{5}{16}$ " UNF	$\frac{7}{8}$ "		0.500"
14-0116	"	$\frac{5}{16}$ " UNF	1"		0.500"
14-0126	"	$\frac{3}{8}$ " UNF	$\frac{3}{4}$ "		0.563"
14-0128	"	$\frac{3}{8}$ " UNFF	1"		0.563"
14-0132	"	$\frac{7}{16}$ " UN	$\frac{7}{8}$ "		0.625"
14-0201	"	$\frac{1}{4}$ " UNF	1"	$\frac{3}{4}$ "	0.438"
14-0202	"	$\frac{1}{4}$ " UNF	$1\frac{1}{8}$ "	$\frac{3}{4}$ "	0.438"
14-0205	"	$\frac{1}{4}$ " UNF	$1\frac{1}{2}$ "	$\frac{3}{4}$ "	0.438"
14-0208	"	$\frac{1}{4}$ " UNF	$2\frac{1}{4}$ "	$\frac{3}{4}$ "	0.438"
14-0216	"	$\frac{5}{16}$ " UNF	$1\frac{1}{8}$ "	$\frac{7}{8}$ "	0.500"
14-0217	"	$\frac{5}{16}$ " UNF	$1\frac{1}{4}$ "	$\frac{7}{8}$ "	0.500"
14-0219	"	$\frac{5}{16}$ " UNF	$1\frac{1}{2}$ "	$\frac{7}{8}$ "	0.500"
14-0220	"	$\frac{5}{16}$ " UNF	$1\frac{3}{4}$ "	$\frac{7}{8}$ "	0.500"
14-0221	"	$\frac{5}{16}$ " UNF	2"	$\frac{7}{8}$ "	0.500"
14-0222	"	$\frac{5}{16}$ " UNF	$2\frac{1}{4}$ "	$\frac{7}{8}$ "	0.500"
14-0225	"	$\frac{5}{16}$ " UNF	3"	$\frac{7}{8}$ "	0.500"
14-0228	"	$\frac{5}{16}$ " UNF	4"	$\frac{7}{8}$ "	0.500"
14-0234	"	$\frac{3}{8}$ " UNF	$1\frac{3}{4}$ "	1"	0.563"
14-0235	"	$\frac{3}{8}$ " UNF	2"	1"	0.563"
14-0236	"	$\frac{3}{8}$ " UNF	$2\frac{1}{4}$ "	1"	0.563"
14-0237	"	$\frac{3}{8}$ " UNF	$2\frac{1}{2}$ "	1"	0.563"
14-0239	"	$\frac{3}{8}$ " UNF	3"	1"	0.563"
14-0241	"	$\frac{3}{8}$ " UNF	$3\frac{1}{2}$ "	1"	0.563"
14-0242	"	$\frac{3}{8}$ " UNF	4"	1"	0.563"
14-0251	"	$\frac{7}{16}$ " UNF	$2\frac{3}{4}$ "	$1\frac{1}{4}$ "	0.625"
14-6101	"	$\frac{1}{4}$ " UNC	$\frac{1}{2}$ "		0.438"
14-6102	"	$\frac{1}{4}$ " UNC	$\frac{5}{8}$ "		0.438"
14-6115	"	$\frac{5}{16}$ " UNC	$\frac{7}{8}$ "		0.500"
14-6121	"	$\frac{5}{16}$ " UNC	$2\frac{1}{2}$ "		0.500"

## N U T S

	<i>Material</i>	<i>Thd. dia.</i>	<i>Hexagon A.F.</i>	<i>Thickness</i>	<i>Remarks</i>
21-0778	Steel	No. 10 UNF	0.375"	0.225"	Cleveloc
21-1852	"	$\frac{5}{16}$ " UNF	0.437"	0.330"	Philidas
21-1906	"	$\frac{1}{4}$ " UNF	0.438"	0.188"	Plain
21-1908	"	$\frac{5}{16}$ " UNF	0.438"	0.313"	Plain
21-1914	"	$\frac{3}{4}$ " UNEF	1.125"	0.250"	Plain
21-2012	"	$\frac{7}{8}$ " UNEF	1.313"	0.438"	Plain
21-2013	"	$\frac{3}{4}$ " UNEF	1.313"	0.313"	Plain
21-2014	"	$\frac{3}{4}$ " UNEF	1.313"	0.438"	Plain
14-0301	"	$\frac{1}{4}$ " UNF	0.438"	0.224"	Plain
14-0302	"	$\frac{5}{16}$ " UNF	0.500"	0.271"	Plain
14-0303	"	$\frac{3}{8}$ " UNF	0.563"	0.300"	Plain
14-0304	"	$\frac{7}{16}$ " UNF	0.688"	0.375"	Plain
14-0401	"	$\frac{1}{4}$ " UNF	0.438"	0.161"	Lock
14-0402	"	$\frac{5}{16}$ " UNF	0.500"	0.192"	Lock
14-0403	"	$\frac{3}{8}$ " UNF	0.563"	0.224"	Lock
14-0404	"	$\frac{7}{16}$ " UNF	0.688"	0.250"	Lock
14-0701	"	$\frac{1}{4}$ " UNF	0.438"	0.203"	Philidas
14-0702	"	$\frac{5}{16}$ " UNF	0.500"	0.246"	Philidas
14-0703	"	$\frac{3}{8}$ " UNF	0.563"	0.296"	Philidas
14-1201	"	$\frac{1}{4}$ " UNF	0.438"	0.285"	Stiffnut
14-1202	"	$\frac{5}{16}$ " UNF	0.500"	0.335"	Stiffnut
14-1301	"	$\frac{1}{4}$ " UNF	0.438"	0.245"	Stiffnut
14-1302	"	$\frac{5}{16}$ " UNF	0.500"	0.290"	Stiffnut
14-1303	"	$\frac{3}{8}$ " UNF	0.563"	0.320"	Stiffnut
14-1304	"	$\frac{7}{16}$ " UNF	0.688"	0.375"	Stiffnut
14-1305	"	$\frac{1}{2}$ " UNF	0.750"	0.435"	Stiffnut
14-1901	"	$\frac{1}{4}$ " UNF	0.438"	0.283"	Nyloc
14-1902	"	$\frac{5}{16}$ " UNF	0.500"	0.361"	Nyloc
14-1903	"	$\frac{3}{8}$ " UNF	0.563"	0.375"	Nyloc

## S C R E W S

<i>Part No.</i>	<i>Type of head</i>	<i>Material</i>	<i>Thd. dia.</i>	<i>Length under head</i>	<i>Type of drive</i>
21-1916	Cheese head	Steel	$\frac{1}{4}$ " UNC	$1\frac{1}{8}$ "	Cross recess
21-1917	Cheese head	"	$\frac{1}{4}$ " UNC	$2\frac{3}{8}$ "	Cross recess
21-1918	Cheese head	"	$\frac{1}{4}$ " UNC	$2\frac{3}{8}$ "	Cross recess
21-1920	Hex. head	"	$\frac{1}{4}$ " UNC	$\frac{21}{64}$ "	Cross recess
21-1929	Countersunk 82°	"	$\frac{1}{4}$ " UNC	$\frac{17}{32}$ "	Slot
21-2079	Cheese head	"	No. 10 UNF	$\frac{1}{2}$ "	Pozidrive
14-0604	Cheese head	"	$\frac{1}{4}$ " UNF	$\frac{1}{2}$ "	Cross recess
14-6504	Countersunk (82°)	"	$\frac{1}{4}$ " UNC	$\frac{3}{4}$ "	Cross recess
14-6505	Countersunk (82°)	"	$\frac{1}{4}$ " UNC	$\frac{7}{8}$ "	Cross recess
14-6606	Cheese head	"	$\frac{1}{4}$ " UNC	$\frac{3}{4}$ "	Cross recess
14-6607	Cheese head	"	$\frac{1}{4}$ " UNC	$\frac{7}{8}$ "	Cross recess
14-6608	Cheese head	"	$\frac{1}{4}$ " UNC	1"	Cross recess
14-6609	Cheese head	"	$\frac{1}{4}$ " UNC	$1\frac{1}{4}$ "	Cross recess
14-6610	Cheese head	"	$\frac{1}{4}$ " UNC	$1\frac{1}{2}$ "	Cross recess
14-6611	Cheese head	"	$\frac{1}{4}$ " UNC	$1\frac{3}{4}$ "	Cross recess
14-6612	Cheese head	"	$\frac{1}{4}$ " UNC	2"	Cross recess
14-6613	Cheese head	"	$\frac{1}{4}$ " UNC	$2\frac{1}{4}$ "	Cross recess
14-6614	Cheese head	"	$\frac{1}{4}$ " UNC	$2\frac{1}{2}$ "	Cross recess
14-6615	Cheese head	"	$\frac{1}{4}$ " UNC	3"	Cross recess
14-7004	Socket head	"	$\frac{1}{4}$ " UNC	$\frac{1}{4}$ "	Hex. socket
14-7019	Socket head	"	$\frac{5}{16}$ "	$\frac{7}{8}$ "	Hex. socket
14-7024	Socket head	"	$\frac{5}{16}$ "	2"	Hex. socket

### WASHERS—PLAIN

<i>Part No.</i>	<i>Material</i>	<i>i/dia.</i>	<i>o/dia.</i>	<i>Thickness</i>
60-4245	Steel	0.273"	0.563"	0.048"
60-4246	Steel	0.398"	0.750"	0.063"
60-4247	Steel	0.336"	0.625"	0.063"
37-2027	Steel	0.531"	1.031"	0.092"
60-4248	Steel	0.266"	0.469"	0.064"
60-4267	Steel	0.453"	0.750"	0.064"

### WASHERS—SPRING

<i>Part No.</i>	<i>Material</i>	<i>i/dia.</i>	<i>o/dia.</i>	<i>o/a height</i>	<i>Thickness</i>
60-4259	Spring Steel	$\frac{3}{8}$ " clearance	$\frac{19}{32}$ "	$\frac{7}{32}$ "	0.104"
60-4250	Spring Steel	$\frac{1}{4}$ " clearance	$\frac{13}{32}$ "	$\frac{3}{16}$ "	0.064"
60-3541	Spring Steel	$\frac{17}{32}$ "	$\frac{7}{8}$ "	$\frac{7}{32}$ "	0.040**
21-0648	Spring Steel	$\frac{5}{16}$ " clearance	$\frac{1}{2}$ "	$\frac{5}{32}$ "	0.080"

\*\* Double coil.