
TRIUMPH

REPLACEMENT PARTS CATALOGUE

No. 15

6T	-	THUNDERBIRD
T100	-	TIGER 100
T110	-	TIGER 110
TR6	-	TROPHY
T120	-	BONNEVILLE 120

FROM ENGINE No. 020076

SEPTEMBER 1958

TRIUMPH ENGINEERING COMPANY LIMITED

MERIDEN WORKS, ALLESLEY

COVENTRY

Telegrams (for Spares)
"Trusty, Coventry"

Telephone
Meriden 331

Ref. 487/59

ISSUE No. 15

Published, May, 1959

PREFACE

BEFORE ordering parts for your machine, please read very carefully the instructions contained in the next paragraph. In a large number of cases, the information given in orders is not sufficient to enable us to identify customers' requirements with certainty. Delay is frequently occasioned by our having to refer the order back for further particulars before we can supply.

HOW TO ORDER. Every part is indicated by number, and this should be quoted together with the description. In order to assist customers, dimensions have been given in many cases where parts are similar. Parts where possible have been listed in order of assembly and a number of the illustrations show the assembly order also. With these aids there should be no difficulty in identifying the parts you require. Always head your order with the engine number, stamped on the drive side of the crank case underneath the cylinder flange, together with the prefix letters. Use a separate sheet for your order if you are sending a letter as well.

SPECIMEN ORDER

25/6/59

To Triumph Engineering Co. Ltd.,
Spares Department,
Meriden Works,
Allesley,
Coventry.

Engine No. 5T-200000

Please supply :—

- I - CP.29/20 - Piston Assy. + .020"
- I - E2899 - Guide, inlet valve

*Send C.O.D.

Wm. Smith,
1a, Ewell Avenue,
Ewell, Surrey.

**For terms of business see page 3.*

TELEGRAPHIC ORDERS. Orders by telegram should be addressed to "Trusty 60221 Coventry". They are then telephoned to us, which prevents delay in delivery. It is only necessary to quote part numbers in telegraphic orders, the description can be omitted.

PATTERNS AND PARTS FOR REPAIR. It is not necessary to send patterns if the part number is quoted. The sending of patterns often delays the order as parcel post or rail takes longer than letter post.

Parts sent to Coventry for repair, replacement or as patterns should bear the sender's name and address and clear instructions should accompany the parts. All parts must be forwarded carriage paid and care should be taken to ensure that all remittances are sent separately and not enclosed with the parts. Fragile units such as cylinders, etc., should always be boxed to avoid damage in transit. Complete machines should have all fitments such as horns, driving mirrors, tools, etc., removed by the sender before despatch, as it is impossible for us to accept responsibility in the event of loss in transit. We are always pleased to give estimates for overhauling and repairs, but should an estimate not be accepted, a charge will be made covering cost of dismantling and re-assembling, if carried out.

Communications relating to Parts should be addressed to the SPARES MANAGER and for repairs, guarantee claims and technical advice to the SERVICE MANAGER, Triumph Engineering Co. Ltd., Meriden Works, Allesley, Coventry. In order to facilitate quick reference, the quoting of any number, invoice number or reference from previous communications is of essential importance. **Accessories not of our manufacture should be sent direct to the actual makers, whose names and addresses appear on Page 90.**

WHERE TO OBTAIN. Triumph Spare Parts may be obtained from any Triumph Dealer, and we recommend our customers to place their orders with the Triumph Dealer in their district, as we do not normally supply direct. When parts not usually asked for are required, and for which the Dealer may have to wire or obtain specially, the postage or carriage incurred becomes payable.

We are not able to supply Transfers as originally affixed to Triumph Motor Cycles, but we are at all times willing to supply a transfer denoting that the machine is of genuine Triumph manufacture, provided the Frame and Engine prefix letters and numbers are quoted.

Customers are warned against the risk incurred by purchasing parts that are not of genuine Triumph manufacture. This risk is eliminated if parts are ordered as instructed, either from our recognised Dealers, or direct from the Spares Department, Meriden Works, Allesley, Coventry.

TERMS OF BUSINESS

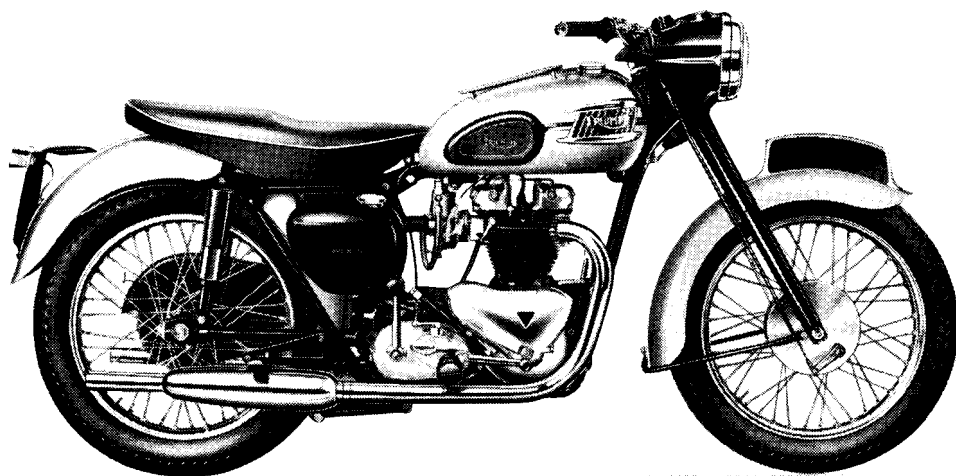
THE most convenient method of paying for Spare Parts is by the C.O.D. system. By this method you pay the postman for the goods when he delivers them to you. As the minimum C.O.D. collection fee is 1/2, only goods to the value of 2/- and over can be sent by this system. We do not despatch goods by rail C.O.D.

Where goods are not sent C.O.D., cash must accompany the order. All remittances should be made payable to the Triumph Engineering Co. Ltd., and crossed "Barclay's Bank Ltd." if in the form of Postal Order or cheque. Letters containing currency notes must be registered.

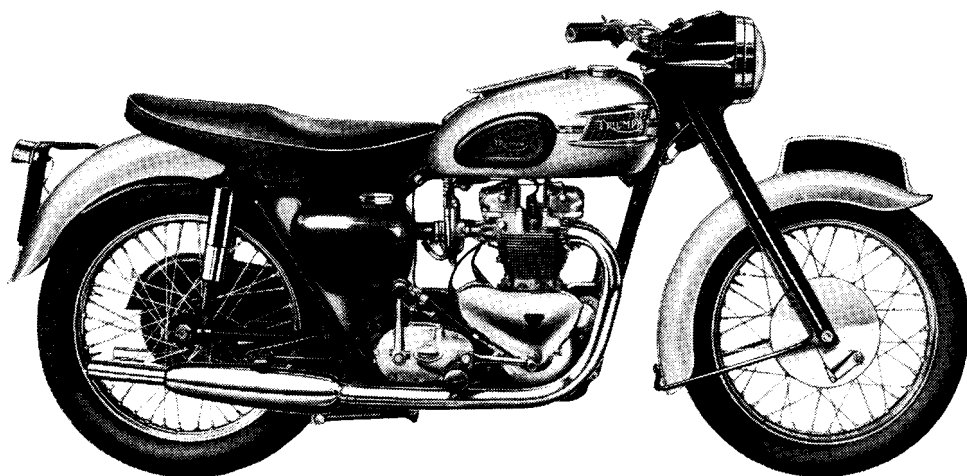
Should a remittance be forwarded by telegraphic money order, the name and address of the sender must be inserted in the space provided on the Post Office requisition form for a private message from remitter to payee. Unless this is complied with the Post Office omit such information from the telegram and we are not then in a position to trace the sender.

Postage, carriage and packing is charged at 5% on the value of the goods, minimum charge 1/-. Packing boxes, cases, crates, etc., are charged for at cost and are returnable.

THUNDERBIRD (6T)



TIGER 100 (T100)



THUNDERBIRD (6T)

SPECIFICATION

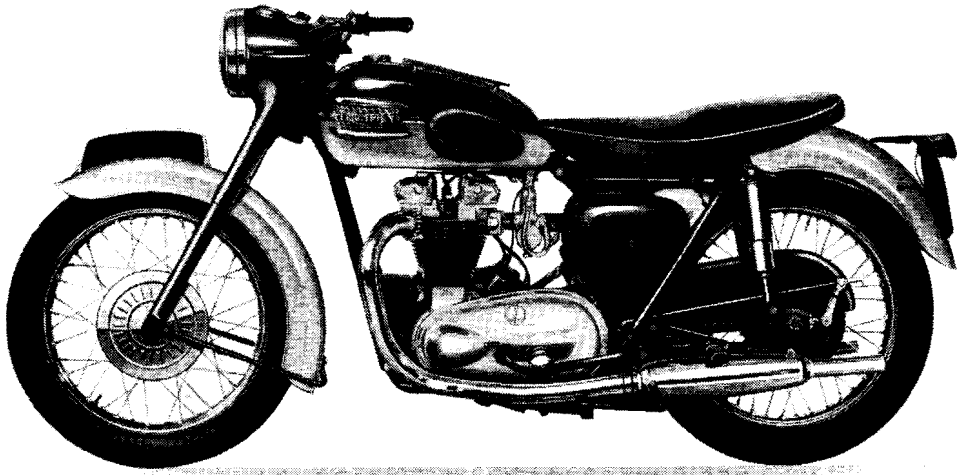
Bore and stroke, mm.71 × 82	Ignition (fully retard)	
ins. ...	2.79 × 3.23	ins. (mm.) ...	$\frac{1}{2}$ (0.8) B.T.C.
Cylinder capacity		Piston ring gap (Compression and	
c/cm. (cu. ins.) ...	649 (40)	Scraper) ins. (mm.)	.010-.014 (.25-.35)
Compression ratio ...	7 : 1	Petrol tank, gallons (litres) ...	4 (18)
Engine sprocket ...	24	Oil tank, pints (litres) ...	5 (3)
Tappet clearance, cold		Weight, lbs. (dry) (kilos)	385 (175)
ins. (mm.)010 (.26)		

TIGER 100 (T100)

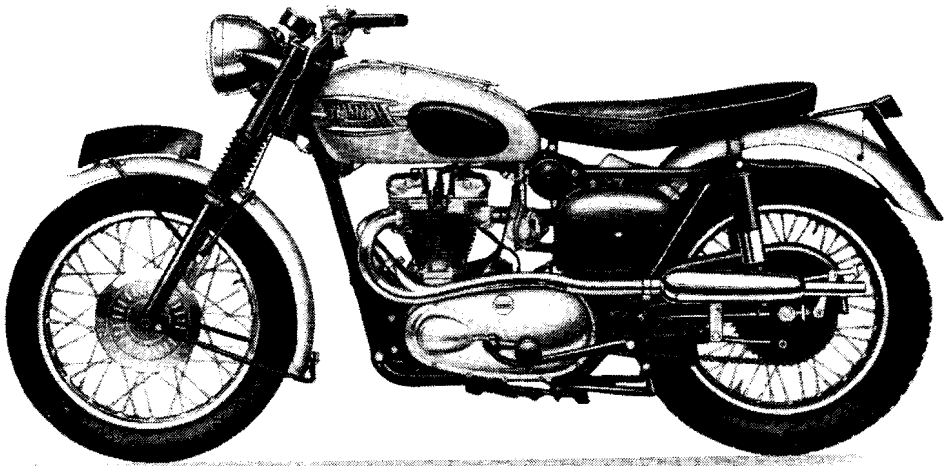
SPECIFICATION

Bore and stroke, mm.63 × 80	Ignition, fully advanced	
ins. ...	2.48 × 3.15	ins. (mm.) ...	$\frac{1}{8}$ (9.5) B.T.D.C.
Cylinder capacity		Piston ring gap	
c/cm. (cu. ins.) ...	498 (30.5)	Compression—	
Compression ratio ...	8 : 1	ins. (mm.)010-.014 (.25-.35)
Engine sprocket, solo ...	22	Scraper—	
Carburetter main jet (Amal) ...	220	ins. (mm.)007-.011 (.18-.28)
Carburetter pilot jet (Amal) ...	25	Petrol tank, gallons (litres) ...	4 (18)
Carburetter slide (Amal) ...	376 $\frac{3}{4}$	Oil tank, pints (litres) ...	5 (3)
Carburetter needle jet (Amal)1065	Weight lbs. (dry) (kilos)	375 (170)
Tappet clearance, cold			
ins. (mm.)010 (.26)		

TIGER 110 (T110)



TROPHY (TR6)



TIGER 110 (T110)

SPECIFICATION

Bore and stroke, mm.71 × 82	Tappet clearance, cold004 ex (.10)
ins. ...	2.79 × 3.23	ins. (mm.)002 in. (.05)
Cylinder capacity		Ignition, fully advanced	
c/cm. (cu. ins.) ...	649 (40)	ins. (mm.) ...	$\frac{3}{32}$ (9.2) B.T.D.C.
Compression ratio ...	8 : 1	Piston ring gap (Compression and	
Engine sprocket, solo ...	24	Scraper) ins. (mm.)	.010-.014 (.25-.35)
Carburetter main jet (Amal) ...	*250	Petrol tank, gallons (litres) ...	4 (18)
Carburetter pilot jet (Amal) ...	25	Oil tank, pints (litres) ...	5 (3)
Carburetter slide (Amal) ...	376/3½	Weight lbs. (dry) (kilos)	395 (179)
Carburetter needle jet (Amal)1065		

*270 without air filter

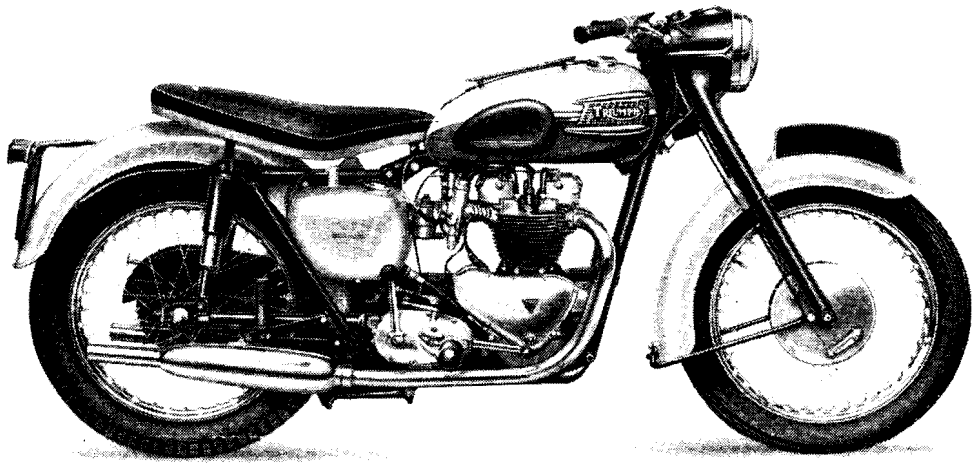
TROPHY (TR6)

SPECIFICATION

Bore and stroke, mm.71 × 82	Tappet clearance, cold004 ex (.10)
ins. ...	2.79 × 3.23	ins. (mm.)002 in. (.05)
Cylinder capacity		Ignition, fully advanced	
c/cm. (cu. ins.) ...	649 (40)	ins. (mm.) ...	$\frac{3}{32}$ (9.2) B.T.D.C.
Compression ratio ...	8 : 1	Piston ring gap (Compression and	
Engine sprocket, solo ...	24	Scraper) ins. (mm.)	.010-.014 (.25-.35)
Carburetter main jet (Amal) ...	*250	Petrol tank, gallons (litres) ...	4 (18)
Carburetter pilot jet (Amal) ...	25	Oil tank, pints (litres) ...	5 (3)
Carburetter slide (Amal) ...	376/3½	Weight lbs. (dry) (kilos)	370 (168)
Carburetter needle jet (Amal)1065		

*270 without air filter

BONNEVILLE 120 (T.120)



SPECIFICATION

Bore and stroke, mm. ...	71 × 82	Carburetter needle jet (Amal) ...	1065
ins. ...	2.79 × 3.23	Tappet clearance, cold004 ex (.10)
Cylinder capacity		ins. (mm.)002 in (.05)
c cm. (cu. ins.) ...	649	Ignition, fully advanced	
Compression ratio ...	8 : 1	ins. (mm.) ...	$\frac{7}{16}$ " (11) B.T.D.C.
Engine sprocket, solo ...	24	Piston ring gap (Compression and Scrapper) ins. (mm.)	.010-.014 (.25-.35)
Carburetters main jet (Amal) ...	240	Petrol tank, gallons (litres) ...	4 (18)
Carburetter pilot jet (Amal) ...	25	Oil tank, pints (litres) ...	5 (3)
Carburetter slide (Amal) ...	376 3 $\frac{1}{2}$	Weight lbs. (dry) (kilos) ...	395 (179)

CARTON PACK — GROUP 1

Piston assemblies Part No. CP29, CPI58, CP98, CPI59, CPI63, CPI57 and Piston ring pack CP99 are being changed to include two taper compression rings instead of one plain and one taper ring.

The taper rings are, of course, fitted in the two top grooves with the etched marking "TOP" uppermost. If only one taper ring is supplied this should be fitted in the middle groove.

CARTON PACK COMPONENT LIST—GROUP I

The following sub-assemblies are supplied in carton packs under the C.P. part number stated. The contents of these carton packs are preserved and will not deteriorate under adverse conditions.

PART No.	DESCRIPTION AND CONTENTS						
Brake Lining							
CP.38	2	NW.243	Lining, brake
	16	W.129	Rivet
CP.66	2	W.631	Lining, brake
	16	W.129	Rivet
Crankcase Bearing							
CP.144	...	2	...	E.1591	Bearing ball, d/s and t/s
Fork (Telescopic) Service Pack							
CP.50	...	2	...	H.443	Bearing, lower
		2	...	H.441	Bearing, upper
		2	...	E.1335	Washer, copper
		4	...	H.430	Washer, drain filler plug
		2	...	H.452	Restrictor, oil
		2	...	H.453	Cup, oil restrictor
		2	...	H.454	Pin, restrictor cup
		2	...	H.391	Washer, dust excluder felt
		2	...	H.420	Washer, outer cover felt
		2	...	H.1065	Washer, aluminium
Gears, Standard Ratio (to convert from Wide ratio)							
CP.145	...	1	...	T.1382	Gear, mainshaft high
		1	...	T.916	Gear, mainshaft 2nd
		1	...	T.1063	Gear, layshaft and high
		1	...	T.1065	Gear, layshaft 2nd
		1	...	T.934	Gear, speedometer driven
Gears, Wide Ratio (to convert from Standard ratio)							
CP.94	...	1	...	T.1384	Gear, mainshaft high
		1	...	T.968	Gear, mainshaft 2nd
		1	...	T.971	Gear, layshaft and high
		1	...	T.974	Gear, layshaft 2nd
		1	...	T.975	Gear, speedometer driven

CARTON PACK – GROUP I

PART No.

DESCRIPTION AND CONTENTS

Gear, Close Ratio (to convert from Standard ratio)

CP.95	1	T.1177	Mainshaft and low gear
			1	T.1383	Gear, mainshaft high
			1	T.1179	Gear, mainshaft 3rd
			1	T.955	Gear, mainshaft 2nd
			1	T.959	Layshaft and high gear
			1	T.964	Gear, layshaft 3rd
			1	T.963	Gear, layshaft 2nd
			1	T.961	Gear, layshaft low
			1	T.983	Plug, speedometer drive sealing
			1	T.948	Washer, speedometer drive plug

Kickstarter Ratchet Gear

CP.27	1	T.730	Pinion, kickstarter
			1	T.731	Ratchet, kickstart
			1	T.1250	Spring, ratchet
			1	T.1338	Sleeve
			1	T.732	Lockwasher

Pistons 500 c.c. Models

CP.109	...	1	E.3052	Piston, CR. 5 : 1
				...	E.656	Ring, first compression
				...	E.3048	Ring, second compression (Taper)
				...	GE.29	Ring, scraper
				...	WE.203E	Pin, gudgeon
2	WE.479	Circlip
				...	WE.479	Circlip
CP.109/20	...	1	E.3052/20	Piston, +.020", CR. 5 : 1
				...	E.656/20	Ring, first compression
				...	E.3048/20	Ring, second compression (Taper)
				...	GE.29/20	Ring, scraper
				...	WE.203E...	Pin, gudgeon
2	WE.479	Circlip
				...	WE.479	Circlip
CP.37	...	1	E.1969	Piston, CR. 6 : 1
				...	E.656	Ring, first compression
				...	E.3048	Ring, second compression (Taper)
				...	GE.29	Ring, scraper
				...	WE.203E...	Pin, gudgeon
2	WE.479	Circlip
				...	WE.479	Circlip
CP.37/10	...	1	E.1969/10	Piston, +.010", CR. 6 : 1
				...	E.656/10	Ring, first compression
				...	E.3048/10	Ring, second compression (Taper)
				...	GE.29/10...	Ring, scraper
				...	WE.203E...	Pin, gudgeon
2	WE.479	Circlip
				...	WE.479	Circlip

GROUP I – CARTON PACK

PART No.	DESCRIPTION AND CONTENTS					
CP.37/20	...	1	...	E.1969/20	...	Piston, +.020", CR. 6 : 1
		1	...	E.656/20	...	Ring, first compression
		1	...	E.3048/20	...	Ring, second compression (Taper)
		1	...	GE.29/20	...	Ring, scraper
		1	...	WE.203E	...	Pin, gudgeon
		2	...	WE.479	...	Circlip
CP.29	...	1	...	E.1563	...	Piston, CR. 7 : 1
		1	...	E.656	...	Ring, first compression
		1	...	E.3048	...	Ring, second compression (Taper)
		1	...	GE.29	...	Ring, scraper
		1	...	WE.203E...	...	Pin, gudgeon
		2	...	WE.479	...	Circlip
CP.29/10	...	1	...	E.1563/10	...	Piston, +.010", CR. 7 : 1
		1	...	E.656/10	...	Ring, first compression
		1	...	E.3048/10	...	Ring, second compression (Taper)
		1	...	GE.29/10...	...	Ring, scraper
		1	...	WE.203E...	...	Pin, gudgeon
		2	...	WE.479	...	Circlip
CP.29/20	...	1	...	E.1563/20	...	Piston, +.020", CR. 7 : 1
		1	...	E.656/20	...	Ring, first compression
		1	...	E.3048/20	...	Ring, second compression (Taper)
		1	...	GE.29/20...	...	Ring, scraper
		1	...	WE.203E...	...	Pin, gudgeon
		2	...	WE.479	...	Circlip
CP.29/30	...	1	...	E.1563/30	...	Piston, +.030", CR. 7 : 1
		1	...	E.656/30	...	Ring, first compression
		1	...	E.3048/30	...	Ring, second compression (Taper)
		1	...	GE.29/30...	...	Ring, scraper
		1	...	WE.203E...	...	Pin, gudgeon
		2	...	WE.479	...	Circlip
CP.29/40	...	1	...	E.1563/40	...	Piston, +.040", CR. 7 : 1
		1	...	E.656/40	...	Ring, first compression
		1	...	E.3048/40	...	Ring, second compression (Taper)
		1	...	GE.29/40...	...	Ring, scraper
		1	...	WE.203E...	...	Pin, gudgeon
		2	...	WE.479	...	Circlip

CARTON PACK – GROUP I

PART No.	DESCRIPTION AND CONTENTS					
CP.131	...	1	...	E.1908	...	Piston, CR. 7.6 : 1
		1	...	E.656	...	Ring, first compression
		1	...	E.3048	...	Ring, second compression (Taper)
		1	...	GE.29	...	Ring, scraper
		1	...	WE.203E...	...	Pin, gudgeon
	2	...	WE.479	...	Circlip	
CP.131/10	...	1	...	E.1908/10	...	Piston, +.010", CR. 7.6 : 1
		1	...	E.656/10	...	Ring, first compression
		1	...	E.3048/10	...	Ring, second compression (Taper)
		1	...	GE.29/10...	...	Ring, scraper
		1	...	WE.203E...	...	Pin, gudgeon
	1	...	WE.479	...	Circlip	
CP.131/20	...	1	...	E.1908/20	...	Piston, +.020" CR. 7.6 : 1
		1	...	E.656/20	...	Ring, first compression
		1	...	E.3048/20	...	Ring, second compression (Taper)
		1	...	GE.29/20...	...	Ring, scraper
		1	...	WE.203E...	...	Pin, gudgeon
	1	...	WE.479	...	Circlip	
CP.135	...	1	...	E.3098	...	Piston, CR. 8 : 1
		1	...	E.656	...	Ring, first compression
		1	...	E.3048	...	Ring, second compression (Taper)
		1	...	GE.29	...	Ring, scraper
		1	...	WE.203E...	...	Pin, gudgeon
	2	...	WE.479	...	Circlip	
CP.135/10	...	1	...	E.3098/10	...	Piston, +.010" CR. 8 : 1
		1	...	E.656/10	...	Ring, first compression
		1	...	E.3048/10	...	Ring, second compression (Taper)
		1	...	GE.29/10...	...	Ring, scraper
		1	...	WE.203E...	...	Pin, gudgeon
	2	...	WE.479	...	Circlip	
CP.135/20	...	1	...	E.3098/20	...	Piston, +.020", CR. 8 : 1
		1	...	E.656/20	...	Ring, first compression
		1	...	E.3048/20	...	Ring, second compression (Taper)
		1	...	GE.29/20...	...	Ring, scraper
		1	...	WE.203E...	...	Pin, gudgeon
	2	...	WE.479	...	Circlip	

GROUP 1 — CARTON PACK

PART No.	DESCRIPTION AND CONTENTS					
CP.133	...	1	...	E.2489	...	Piston, CR. 8.5 : 1
		1	...	E.656	...	Ring, first compression
		1	...	E.3048	...	Ring, second compression (Taper)
		1	...	GE.29	...	Ring, scraper
		1	...	WE.203E...	...	Pin, gudgeon
	2	...	WE.479	...	Circlip	
CP.133/10	...	1	...	E.2489/10	...	Piston, +.010", CR. 8.5 : 1
		1	...	E.656/10	...	Ring, first compression
		1	...	E.3048/10	...	Ring, second compression (Taper)
		1	...	GE.29/10...	...	Ring, scraper
		1	...	WE.203E...	...	Pin, gudgeon
	2	...	WE.479	...	Circlip	
CP.133/20	...	1	...	E.2489/20	...	Piston, +.020" CR. 8.5 : 1
		1	...	E.656/20	...	Ring, first compression
		1	...	E.3048/20	...	Ring, second compression (Taper)
		1	...	GE.29/20...	...	Ring, scraper
		1	...	WE.203E...	...	Pin, gudgeon
	2	...	WE.479	...	Circlip	
CP.161	...	1	...	E.3615	...	Piston, CR. 9 : 1
		1	...	E.656	...	Ring, first compression
		1	...	E.3048	...	Ring, second compression (Taper)
		1	...	GE.29	...	Ring, scraper
		1	...	WE.203E...	...	Pin, gudgeon
	2	...	WE.479	...	Circlip	
CP.161/20	...	1	...	E.3615/20	...	Piston, +.020", CR.9 : 1
		1	...	E.656/20	...	Ring, first compression
		1	...	E.3048/20	...	Ring, second compression (Taper)
		1	...	GE.29/20...	...	Ring, scraper
		1	...	WE.203E...	...	Pin, gudgeon
	2	...	WE.479	...	Circlip	
CP.134	...	1	...	E.2884	...	Piston, CR. 9.5 : 1
		1	...	E.656	...	Ring, first compression
		1	...	E.3048	...	Ring, second compression (Taper)
		1	...	GE.29	...	Ring, scraper
		1	...	WE.203E...	...	Pin, gudgeon
	2	...	WE.479	...	Circlip	
CP.132	...	1	...	E.2671	...	Piston CR. 12 : 1
		1	...	E.656	...	Ring, first compression
		1	...	E.3048	...	Ring, second compression (Taper)
		1	...	GE.29	...	Ring, scraper
		1	...	WE.203E...	...	Pin, gudgeon
	2	...	WE.479	...	Circlip	

CARTON PACK – GROUP I

PART No.	DESCRIPTION AND CONTENTS					
Pistons, 650 c.c. Models						
CP.158	...	1	...	E.3611	...	Piston CR. 6.3 : 1
		1	...	E.2897	...	Ring, first compression
		1	...	E.3049	...	Ring, second compression (Taper)
		1	...	E.2898	...	Ring, scraper
		1	...	WE.203E	...	Pin, gudgeon
		2	...	WE.479	...	Circlip
CP.98 (6T only)	1	E.2891	...	Piston, CR. 7 : 1
	1	E.2897	...	Ring, first compression
	1	E.3049	...	Ring, second compression (Taper)
	1	E.2898	...	Ring, scraper
	1	WE.203E...	...	Pin, gudgeon
	2	WE.479	...	Circlip
CP.98/10 (6T only)	1	E.2891/10	...	Piston, +.010" CR. 7 : 1
	1	E.2897/10	...	Ring, first compression
	1	E.3049/10	...	Ring, second compression (Taper)
	1	E.2898/10	...	Ring, scraper
	1	WE.203E	...	Pin, gudgeon
	2	WE.479	...	Circlip
CP.98/20 (6T only)	1	E.2891/20	...	Piston, +.020" CR. 7 : 1
	1	E.2897/20	...	Ring, first compression
	1	E.3049/20	...	Ring, second compression (Taper)
	1	E.2898/20	...	Ring, scraper
	1	WE.203E...	...	Pin, gudgeon
	2	WE.479	...	Circlip
CP.159	...	1	...	E.3612	...	Piston, CR. 7.5 : 1
		1	...	E.2897	...	Ring, first compression
		1	...	E.3049	...	Ring, second compression (Taper)
		1	...	E.2898	...	Ring, scraper
		1	...	WE.203E	...	Pin, gudgeon
		2	...	WE.479	...	Circlip
CP.159/10	...	1	...	E.3612/10	...	Piston, +.010", CR. 7.5 : 1
		1	...	E.2897/10	...	Ring, first compression
		1	...	E.3049/10	...	Ring, second compression (Taper)
		1	...	E.2898/10	...	Ring, scraper
		1	...	WE.203E...	...	Pin, gudgeon
		2	...	WE.479	...	Circlip
CP.159/20	...	1	...	E.3612/20	...	Piston, +.020", CR. 7.5 : 1
		1	...	E.2897/20	...	Ring, first compression
		1	...	E.3049/20	...	Ring, second compression (Taper)
		1	...	E.2898/20	...	Ring, scraper
		1	...	WE.203E...	...	Pin, gudgeon
		2	...	WE.479	...	Circlip

GROUP I – CARTON PACK

PART No.	DESCRIPTION AND CONTENTS							
CP.163	...	1	...	E.3670	...	Piston, CR. 8 : 1		
		1	...	E.2897	...	Ring, first compression		
		1	...	E.3049	...	Ring, second compression (Taper)		
		1	...	E.2898	...	Ring, scraper		
		2	...	WE.203E...	...	Pin, gudgeon		
						WE.479	...	Circlip
CP.163/10	...	1	...	E.3670/10	...	Piston, $\pm .010"$, CR. 8 : 1		
		1	...	E.2897/10	...	Ring, first compression		
		1	...	E.3049/10	...	Ring, second compression (Taper)		
		1	...	E.2898/10	...	Ring, scraper		
		2	...	WE.203E...	...	Pin, gudgeon		
						WE.479	...	Circlip
CP.163/20	...	1	...	E.3670/20	...	Piston, $\pm .020"$, CR. 8 : 1		
		1	...	E.2897/20	...	Ring, first compression		
		1	...	E.3049/20	...	Ring, second compression (Taper)		
		1	...	E.2898/20	...	Ring, scraper		
		2	...	WE.203E...	...	Pin, gudgeon		
						WE.479	...	Circlip
CP.157	...	1	...	E.3610	...	Piston, CR. 8.5 : 1		
		1	...	E.2897	...	Ring, first compression (Taper)		
		1	...	E.3049	...	Ring, second compression		
		1	...	E.2898	...	Ring, scraper		
		2	...	WE.203E...	...	Pin, gudgeon		
						WE.479	...	Circlip
CP.157/10	...	1	...	E.3610/10	...	Piston, $\pm .010"$ CR. 8.5 : 1		
		1	...	E.2897/10	...	Ring, first compression (Taper)		
		1	...	E.3049/10	...	Ring, second compression		
		1	...	E.2898/10	...	Ring, scraper		
		2	...	WE.203E...	...	Pin, gudgeon		
						WE.479	...	Circlip
CP.157/20	...	1	...	E.3610/20	...	Piston, $\pm .020"$, CR. 8.5 : 1		
		1	...	E.2897/20	...	Ring, first compression (Taper)		
		1	...	E.3049/20	...	Ring, second compression		
		1	...	E.2898/20	...	Ring, scraper		
		2	...	WE.203E...	...	Pin, gudgeon		
						WE.479	...	Circlip
CP.160	...	1	...	E.3613	...	Piston, CR. 12 : 1		
		1	...	E.2897	...	Ring, first compression (Taper)		
		1	...	E.3049	...	Ring, second compression		
		1	...	E.2898	...	Ring, scraper		
		2	...	WE.203E...	...	Pin, gudgeon		
						WE.479	...	Circlip

CARTON PACK – GROUP I

PART No.	DESCRIPTION AND CONTENTS					
Piston Rings 500 c.c. Models						
CP.40	...	2	...	E.656	...	Ring, first compression
		2	...	E.3048	...	Ring, second compression (Taper)
		2	...	GE.29	...	Ring, scraper
CP.40/10	...	2	...	E.656/10	...	Ring, first compression
		2	...	E.3048/10	...	Ring, second compression (Taper)
		2	...	GE.29/10...	...	Ring, scraper
CP.40/20	...	2	...	E.656/20	...	Ring, first compression
		2	...	E.3048/20	...	Ring, second compression (Taper)
		2	...	GE.29/20...	...	Ring, scraper
CP.40/40	...	2	...	E.656/40	...	Ring, first compression
		2	...	E.3048/40	...	Ring, second compression (Taper)
		2	...	GE.29/40...	...	Ring, scraper
Piston Rings 650 c.c. Models						
CP.99	...	2	...	E.2897	...	Ring, first compression
		2	...	E.3049	...	Ring, second compression (Taper)
		2	...	E.2898	...	Ring, scraper
CP.99/10	...	2	...	E.2897/10	...	Ring, first compression
		2	...	E.3049/10	...	Ring, second compression (Taper)
		2	...	E.2898/10	...	Ring, scraper
CP.99/20	...	2	...	E.2897/20	...	Ring, first compression
		2	...	E.3049/20	...	Ring, second compression (Taper)
		2	...	E.2898/20	...	Ring, scraper
Valves						
CP.96 (6T)	...	2	...	E.2903	...	Valve, inlet
		2	...	E.2904	...	Valve, exhaust
CP.103 (T100)	...	2	...	E.2969	...	Valve, inlet
		2	...	E.1956	...	Valve, exhaust
CP.173 (T110, TR6) T120	...	2	...	E.3310	...	Valve, inlet
		2	...	E.3927	...	Valve, exhaust

GROUP I – CARTON PACK

PART No.

DESCRIPTION AND CONTENTS

Valve Guides

CP.97	2	E.2899	Guide, inlet
			2	E.2900	Guide, exhaust

Valve Springs

CP.5	4	E.1488	Spring, inner
			4	E.1487	Spring, outer
CP.102	4	E.3001	Spring, inner (racing)
			4	E.3002	Spring, outer (racing)

Steering Races

CP.156	1	H.1018	Cone and dust cover, top
			1	H.439	Cone
			2	H.111	Cups
			40	S70-3	Balls

Sidecar Machine Jack

CP.153	1	F.4028	Bracket
			1	F.2605	Bolt
			1	F.4029	Jack

Tachometer Drive Kit (for TR.6)

CP.162	1	E.3677	Timing gear cover
			1	E.3678	Grub Screw
			1	E.3679	Bearing housing assembly, driving
			1	E.3682	Bearing housing assembly, driven
			1	E.3685	L.H. nut
			1	E.3686	Driving Gear
			1	H.1083	Mounting bracket
			1	RC.109	Tachometer head
			1	52091/5	Tachometer drive cable
			1	E.2749	Driven gear
			2	H.1086	Bolt mounting bracket

REPLACEMENT PARTS

REF. No. PART No. DESCRIPTION 6T T100 T110 TR6 T120

ENGINE—GROUP 2

CYLINDER BLOCK

1	E3332	Block, cylinder	1	—	1	—	1
2	E3591	Block, cylinder	—	1	—	—	—
3	E3332/TR6	Block, cylinder	—	—	—	1	—
4	E2894	Washer, cylinder base	1	—	1	1	1
5	E2249	Washer, cylinder base	—	1	—	—	—

CYLINDER HEAD

6	E3873	Head, cylinder c/w guides	1	—	—	—	—
7	E3593	Head, cylinder c/w guides	—	1	—	—	—
8	E3924	Head, cylinder c/w guides	—	—	1	1	—
9	E4019	Head, c/w guides and adaptors	—	—	—	—	1
10	E3940	Adaptor, carb. to head	—	—	—	—	2
11	E3847	Locknut, carb. adaptor	—	—	—	—	2
12	E2961	Adaptor, exhaust pipe	—	2	—	—	—
13	E3583	Adaptor, exhaust pipe	—	—	2	2	2
14	E3614	Gasket, cylinder head	1	—	1	1	1
15	E3003	Gasket, cylinder head	—	1	—	—	—
16	E327	Bolt, cylinder head, short, $3\frac{3}{8}$ " U/H	4	—	4	4	4
17	E1484	Bolt, cylinder head, medium, $5\frac{3}{8}$ " U/H	2	—	2	2	2
18	E1596	Bolt, cylinder head (torque stay) $6\frac{25}{64}$ " U/H	2	—	2	2	2
19	E1596A	Bolt, cylinder head (torque stay) $5\frac{7}{8}$ " U/H	—	2	—	—	—
20	E2873	Bolt, cylinder head, short $3\frac{1}{4}$ " U/H	—	4	—	—	—
21	E2874	Bolt, cylinder head, medium $5\frac{1}{8}$ " U/H	—	2	—	—	—
22	GS308	Washer, cylinder head bolt	4	—	—	—	—
23	F2184	Washer, cylinder head bolt	—	8	8	8	8

INLET MANIFOLD

24	E3304	Manifold, inlet	1	—	1	1	—
25	E3307	Manifold, inlet	—	1	—	—	—
26	E3334	Washer, inlet manifold joint	2	—	2	2	—
27	E2967	Washer, inlet manifold joint	—	2	—	—	—

GROUP 2 – ENGINE

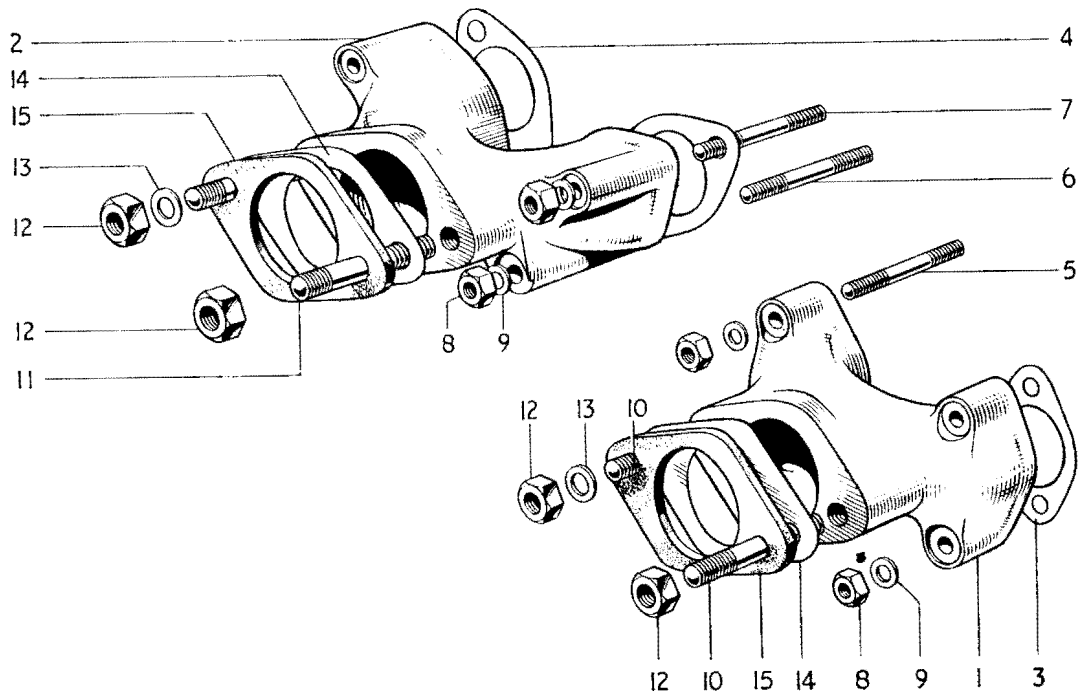


FIG. 1. INLET MANIFOLDS

INDEX

<i>Illust. No.</i>	<i>Part No.</i>	<i>Page No.</i>	<i>Ref. No.</i>	<i>Illust. No.</i>	<i>Part No.</i>	<i>Page No.</i>	<i>Ref. No.</i>
1	E3304	19	24	9	S25-13	21	5
2	E3307	19	25	10	E1553	21	6
3	E3334	19	26		E2962	21	7
4	E2967	19	27	11	E2962	21	7
5	E2920	21	1	12	S1-51	21	8
	E2973	21	3	13	S25-3	21	9
6	E2972	21	2	14	NA43A	94	20
7	E2973	21	3	15	E2968	94	21
8	W103	21	4				

ENGINE — GROUP 2

REF. No.	PART No.	DESCRIPTION	6T	T100	T110	TR6	T120
1	E2920	Stud, inlet manifold to head, 1 $\frac{3}{16}$ " O/A ...	4	—	—	—	—
2	E2972	Stud, inlet manifold to head, long, 2 $\frac{3}{16}$ " O/A ...	—	2	—	—	—
3	E2973	Stud, inlet manifold to head, short, 1 $\frac{1}{16}$ " O/A ...	—	2	4	4	—
4	W103	Nut, inlet manifold to head ...	4	4	4	4	—
5	S25-13	Washer, inlet manifold to head ...	4	4	4	4	—
6	E1553	Stud, carburetter fixing, 1 $\frac{3}{16}$ " O/A ...	2	—	—	—	—
7	E2962	Stud, carburetter fixing, 1 $\frac{7}{16}$ " O/A ...	—	2	2	2	—
8	S1-51	Nut, carburetter fixing ...	2	2	2	2	—
9	S25-3	Washer, carburetter fixing ...	2	2	2	2	—

VALVES, GUIDES AND SPRINGS

10	E2903	Valve, inlet ...	2	—	—	—	—
11	E2969	Valve, inlet ...	—	2	—	—	—
12	E3310	Valve, inlet ...	—	—	2	2	2
13	E2904	Valve, exhaust ...	2	—	—	—	—
14	E1956	Valve, exhaust ...	—	2	—	—	—
15	E3927	Valve, exhaust ...	—	—	2	2	2
16	E2899	Guide, inlet valve ...	2	2	2	2	—
17	E2900	Guide, exhaust valve ...	2	2	2	2	—
18	E3827	Guide, inlet valve ...	—	—	—	—	2
19	E3828	Guide, exhaust valve ...	—	—	—	—	2
20	E1488	Spring, inner valve ...	2	2	2	2	—
21	E1487	Spring, outer valve ...	2	2	2	2	—
22	E3001	Spring, inner valve ...	—	—	—	—	4
23	E3002	Spring, outer valve ...	—	—	—	—	4
24	E1543	Collar, valve spring top ...	4	4	4	4	4
25	E1544	Cup, valve spring bottom ...	4	4	4	4	4
26	WE259A	Cotter, valve split ...	8	8	8	8	8

PISTONS

27	CP98	Piston complete, standard CR7 : I ...	2	—	—	—	—
28	CP98/10	Piston complete, —.010" CR7 : I ...	A	—	—	—	—
29	CP98/20	Piston complete, +.020" CR7 : I ...	A	—	—	—	—
30	CPI35	Piston complete, standard CR8 : I ...	—	2	—	—	—
31	CPI35/10	Piston complete, —.010" CR8 : I ...	—	A	—	—	—
32	CPI35/20	Piston complete, —.020" CR8 : I ...	—	A	—	—	—
33	CPI63	Piston complete, standard CR8 : I ...	—	—	2	2	—
34	CPI63/10	Piston complete, +.010" CR8 : I ...	—	—	A	A	—
35	CPI63/20	Piston complete, +.020" CR8 : I ...	—	—	A	A	—
36	CPI57	Piston complete, standard CR8-5 : I ...	—	—	—	—	2
37	CPI57/10	Piston complete, standard CR8-5 : I ...	—	—	—	—	A
38	CPI57/20	Piston complete, standard CR8-5 : I ...	—	—	—	—	A

GROUP 2 — ENGINE

REF. No.	PART No.	DESCRIPTION	6T	T100	T110	TR6	T120
1	E656	Ring, piston compression	—	2	—	—	—
2	E656 10	Ring, piston compression, $\pm .010''$	—	A	—	—	—
3	E656 20	Ring, piston compression, $\pm .020''$	—	A	—	—	—
4	E3048	Ring, piston compression, standard (Taper)	—	2	—	—	—
5	E3048 10	Ring, piston compression, $\pm .010''$ (Taper)	—	A	—	—	—
6	E3048 20	Ring, piston compression, $\pm .020''$ (Taper)	—	A	—	—	—
7	GE29	Ring, piston scraper, standard	—	2	—	—	—
8	GE29 10	Ring, piston scraper, $\pm .010''$	—	A	—	—	—
9	GE29 20	Ring, piston scraper, $\pm .020''$	—	A	—	—	—
10	E3049	Ring, piston compression, standard (Taper)	4	—	4	4	4
11	E3049 10	Ring, piston compression, $\pm .010''$ (Taper)	A	—	A	A	A
12	E3049 20	Ring, piston compression, $\pm .020''$ (Taper)	A	—	A	A	A
13	E2898	Ring, piston scraper, standard	2	—	2	2	2
14	E2898 10	Ring, piston scraper, $\pm .010''$	A	—	A	A	A
15	E3898 20	Ring, piston scraper, $\pm .020''$	A	—	A	A	A
16	WE203E	Pin, gudgeon	2	2	2	2	2
17	WE479	Circlip, gudgeon pin	4	4	4	4	4

Piston assemblies (Alternative Compression Ratios) and piston ring sets are available in carton packs, see pages 11 to 16.

CRANKSHAFT AND FLYWHEEL ASSEMBLY

18	E3893	Crankshaft and flywheel assembly	1	—	1	1	1
19	E3890	Crankshaft and flywheel assembly	—	1	—	—	—
20	E3894	Crankshaft c/w oil tube	1	—	1	1	1
21	E3891	Crankshaft c/w oil tube	—	1	—	—	—
22	E3903	Oil tube, crankshaft	1	1	1	1	1
23	E3905	Plug, crankshaft right side	1	1	1	1	1
24	E3906	Flywheel	1	1	1	1	1
25	E3907	Bolt, flywheel to crankshaft	3	3	3	3	3
26	E2288	Washer, serrated	3	3	3	3	3
27	E3114	Stud, crankshaft left side, $1 \frac{3}{16}''$ O/A	1	1	1	1	1

ENGINE — GROUP 2

REF. No.	PART No.	DESCRIPTION	6T	T100	T110	TR6	T120
CONNECTING RODS							
1	E3606	Connecting rod, complete	2	2	2	2	2
2	E3586	Bearing, connecting rod big end	4	4	4	4	4
3	E1511	Bush, connecting rod small end	2	2	2	2	2
4	E2490A	Bolt, connecting rod to cap, 2 $\frac{33}{64}$ " U.H.	4	4	4	4	4
5	E2922	Nut, connecting rod to cap bolt	4	4	4	4	4

Note.—Connecting rod assembly does not include E3586 big end bearings. These bearings are also available in 0-010" and 0-020" undersizes.

CRANKCASE							
6	E2892 3314	Crankcase assembly, less main bearings	1	—	—	—	—
7	E2220A 3281	Crankcase assembly, less main bearings	—	1	—	—	—
8	E2892 3282	Crankcase assembly, less main bearings	—	—	1	1	1
9	E672	Stud, crankcase cylinder base, 1 $\frac{5}{8}$ " O A	6	6	6	6	6
10	E3523	Stud, crankcase cylinder base (Dowel), 1 $\frac{3}{8}$ " O A	2	2	2	2	2
11	W76	Nut, crankcase cylinder base stud	4	—	4	4	4
12	PO172A	Nut, crankcase cylinder base stud	4	—	4	4	4
13	E2412	Nut, crankcase cylinder base stud	—	8	—	—	—
14	GS308	Washer, crankcase cylinder base stud	—	8	—	—	—
15	E1534A	Dowel, crankcase cylinder base stud (E3523)	2	2	2	2	2
16	E1579	Dowel, crankcase halves	1	1	1	1	1
17	E1534A	Dowel, crankcase halves hollow	1	1	1	1	1
18	E2022	Stud, magneto distributor to crankcase, 1 $\frac{3}{16}$ " O A	3	3	3	3	3
19	F1008	Nut, magneto to crankcase stud	—	3	3	3	3
20	S25-3	Washer, magneto to crankcase stud	—	3	3	3	3
21	S1-51	Nut, distributor to crankcase stud	3	—	—	—	—
22	E1539	Stud, oil junction block, 1 $\frac{7}{32}$ " O A	1	1	1	1	1
23	S1-51	Nut, oil junction block stud	1	1	1	1	1
24	S23-3	Washer, oil junction block stud	1	1	1	1	1
25	E1532	Dowel, oil junction block	1	1	1	1	1
26	E1535	Dowel, crankcase to timing cover	1	1	1	1	1

THUNDERBIRD (6T ENGINE)

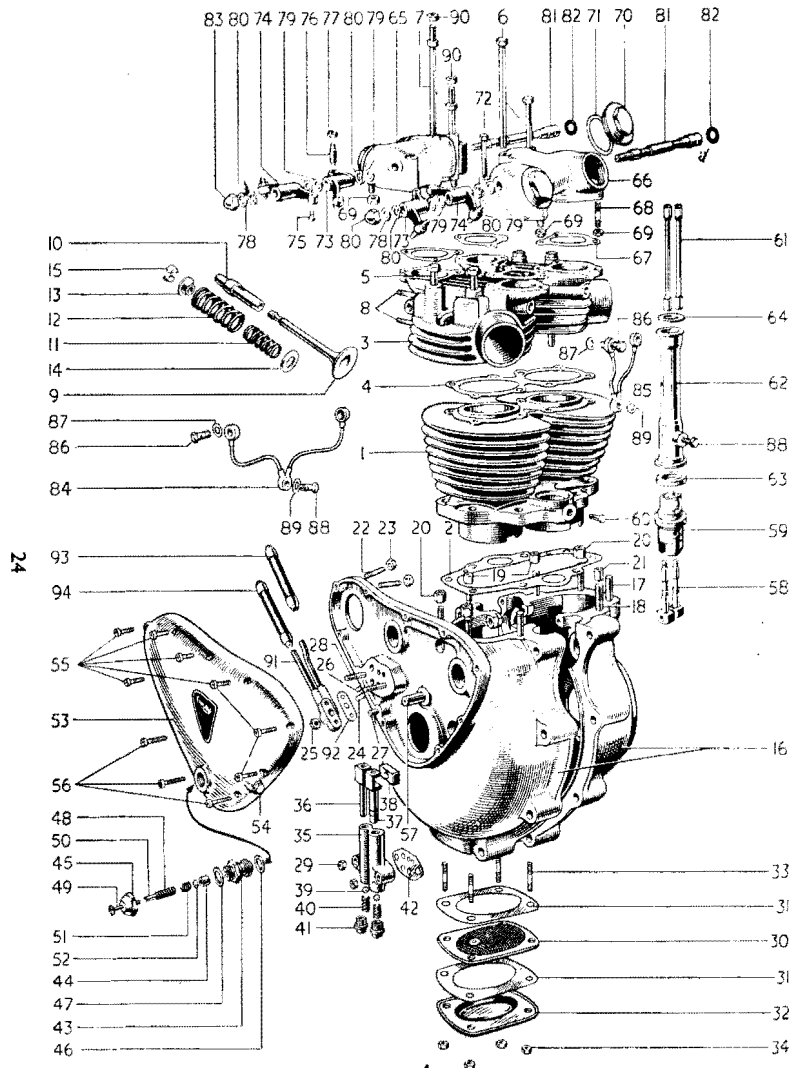


FIG. 2. CRANKCASE, CYLINDER BLOCK, CYLINDER HEAD, etc.

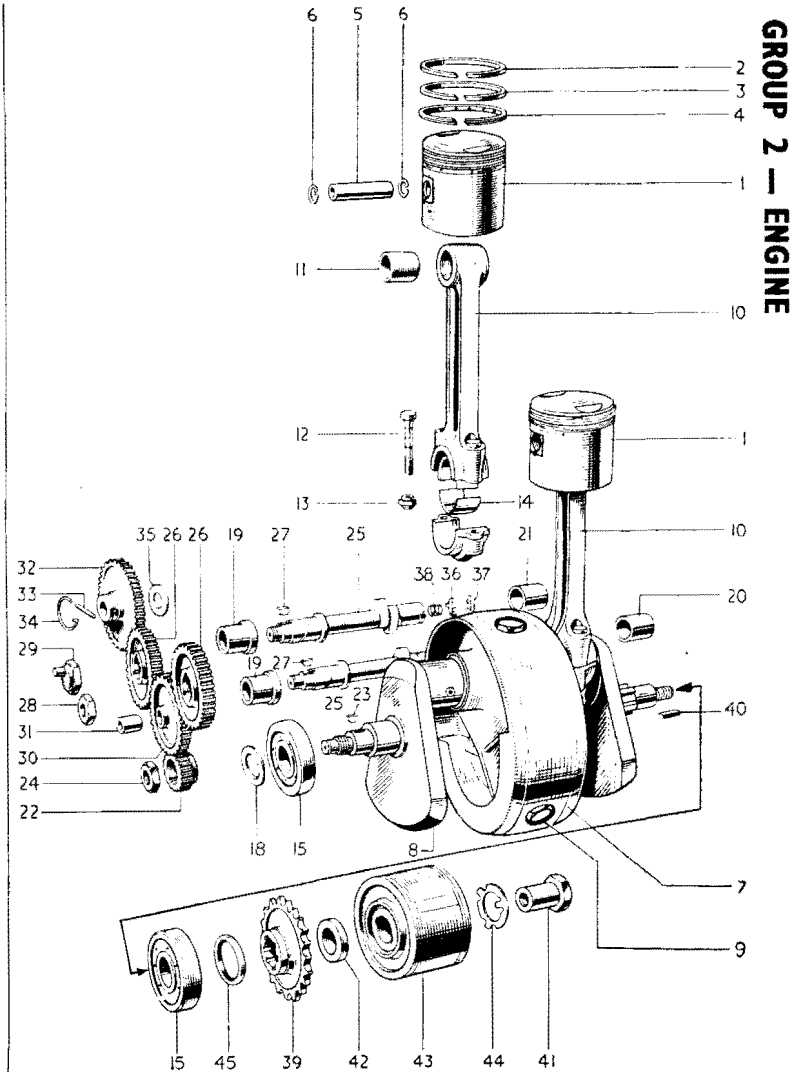


FIG. 3. CRANKSHAFT, CONNECTING RODS, PISTON TIMING GEAR, etc.

INDEX FIG. 2

Illust. No.	Part No.	Page No.	Ref. No.	Illust. No.	Part No.	Page No.	Ref. No.	Illust. No.	Part No.	Page No.	Ref. No.
1	E3332	19	1	31	E487	32	8	63	E1496	34	15
2	E2894	19	4	32	E486	32	9	64	E3547	34	16
3	E3873	19	6	33	E1540	32	10	65	E1461T	34	17
4	E3614	19	14	34	F879	32	12	66	E1462T	34	19
5	E327	19	16	35	GS35	32	27	67	E1650	34	21
6	E1484	19	17	36	GS153	32	28	68	E1540	34	23
7	E1596	19	18	37	E1476	32	29	69	F879	34	25
8	E2920	21	1	38	E495	32	30	70	E1564	34	27
9	E2903	21	10	39	S70-7	32	31	71	E1577	34	28
	E2904	21	11	40	E403	32	32	72	E1545	34	29
10	E2899	21	16	41	E2360	32	33	73	E1457	34	32
	E2900	21	17	42	E1537	32	34	74	E1458	34	33
11	E1488	21	20	43	E2794	33	2	75	E1483	34	34
12	E1487	21	21	44	GS251	33	3	76	E1513	34	35
13	E1543	21	24	45	E2790	33	4	77	E470	34	36
14	E1544	21	25	46	E1670	33	5	78	E1330	35	1
15	WE259A	21	26	47	GS254	33	6	79	E1575	35	2
16	E2892/3314	23	6	48	E2788	33	7	80	E1574	35	3
17	E672	23	9	49	E2791	33	8	81	E1512	35	4
18	E3523	23	10	50	E2793	33	9	82	E3253	35	5
19	W76	23	11	51	E2789	33	10	83	E1435	35	6
20	PO172A	23	12	52	E2792	33	11	84	GS272	35	10
21	E1534A	23	15	53	E3310 6T	33	12	85	GS273	35	11
22	E2022	23	18	54	E2615	33	25	86	E1601	35	12
23	SI-51	23	21	55	E3437	33	27	87	E1335	35	14
24	E1539	23	22	56	E3439	33	28	88	E984	35	15
25	SI-51	23	23	57	E375	33	41	89	F1880	35	16
26	E1532	23	25	58	E3059	34	6	90	SI-52	50	19
27	E1535	23	26	59	E1477	34	7	91	E3355	74	26
28	E1536	32	1	60	H200	34	9	92	E1529	74	27
29	F879	32	2	61	E1693	34	11	93	E3354	74	25
30	E529	32	7	62	E1505	34	13	94	E3353	74	24

INDEX FIG. 3

Illust. No.	Part No.	Page No.	Ref. No.	Illust. No.	Part No.	Page No.	Ref. No.	Illust. No.	Part No.	Page No.	Ref. No.
1	CP98	21	27	18	E3300	32	19	33	E3125	33	43
2	E3049	22	10	19	E1479	32	15	34	E3126	33	44
3	E3049	22	10	20	E1516	32	16	35	146460	33	45
4	E2898	22	13	21	E2200	32	17	36	E2254	34	1
5	WE203E	22	16	22	E1472	33	29	37	GS87	34	2
6	WE479	22	17	23	E1580	33	30	38	E2256	34	3
7	E3906	22	24	24	E398	33	31	39	E3108 24	35	17
8	E3894	22	20	25	E3275	33	32	40	E3974	35	20
9	E3907	22	25	26	E1486A	33	35	41	E3977	104	12
10	E3606	23	1	27	E1558	33	36	42	E3116	104	9
11	E1511	23	3	28	E1492	33	37	43	423506	104	1
12	E2490A	23	4	29	E1463	33	38	44	E3975	104	11
13	E2922	23	5	30	E1471	33	39	45	H1168	32	14
14	E3586	23	2	31	E400	33	40				
15	E1591	32	13	32	E3123	33	42				

TIGER 100 (T100) ENGINE

GROUP 2 - ENGINE

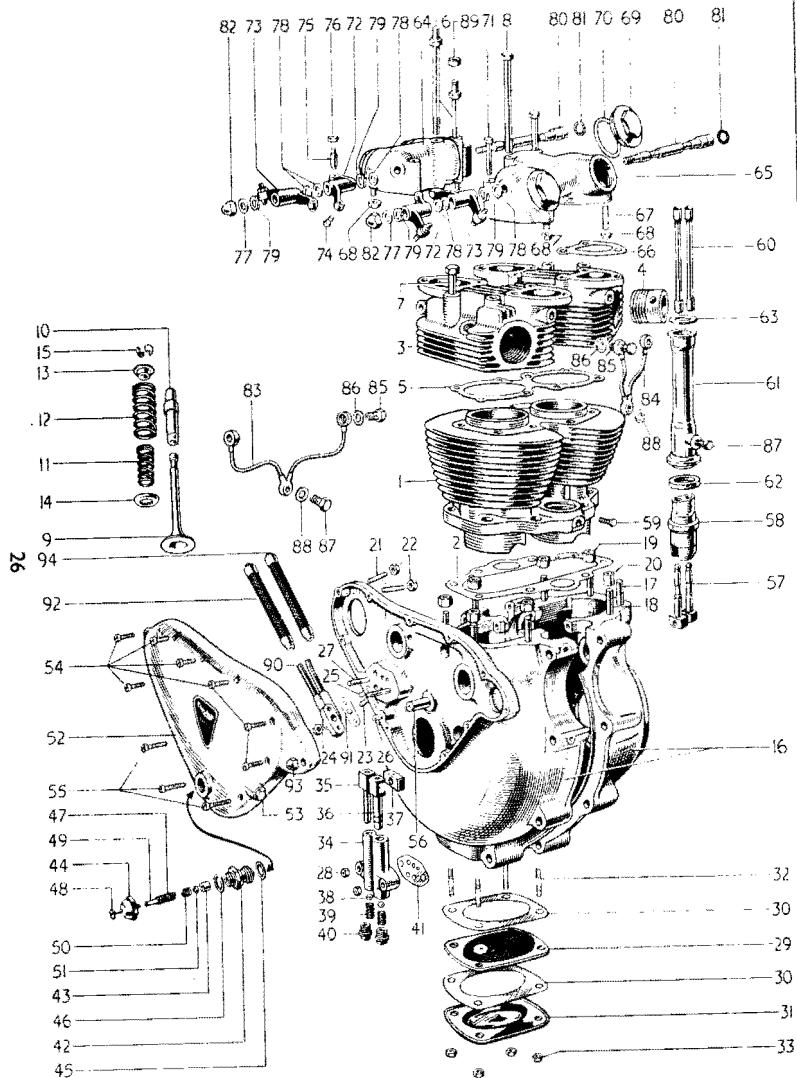


FIG. 4. CRANKCASE, CYLINDER BLOCK, CYLINDER HEAD, etc.

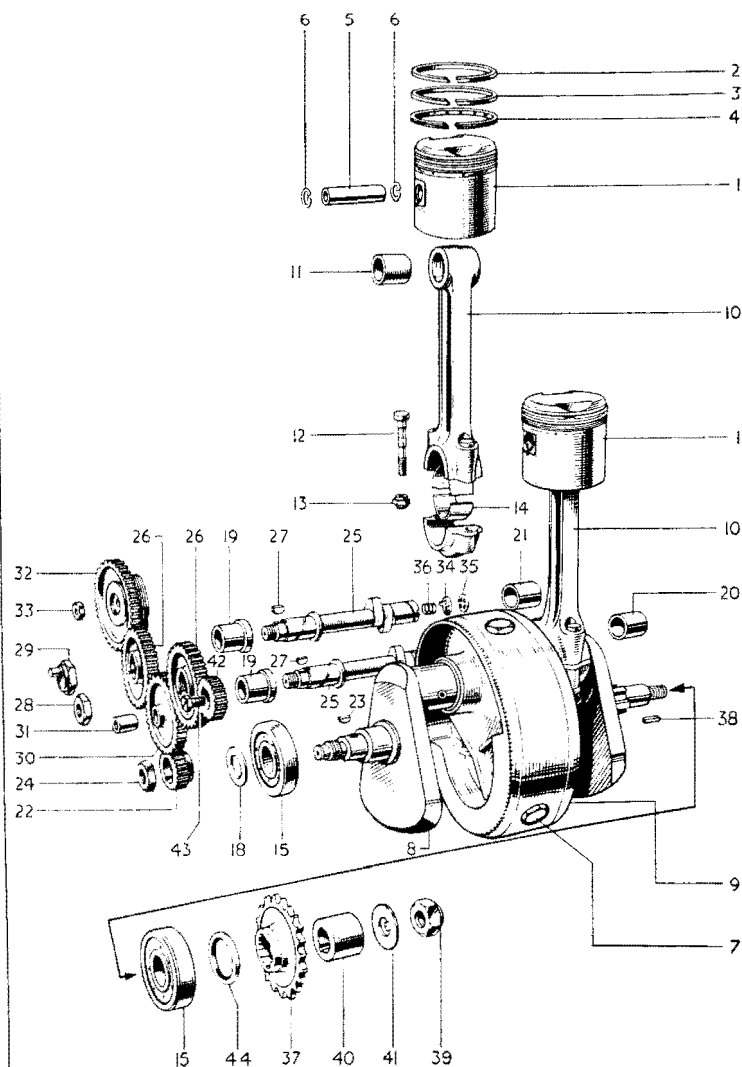


FIG. 5. CRANKSHAFT, CONNECTING RODS, PISTONS, TIMING GEARS, etc.

INDEX FIG. 4

Illust. No.	Part No.	Page No.	Ref. No.	Illust. No.	Part No.	Page No.	Ref. No.	Illust. No.	Part No.	Page No.	Ref. No.
1	E3591	19	2	32	E1540	32	10	65	E1462T	34	19
2	E2249	19	5	33	F879	32	12	66	E1650	34	21
3	E3593	19	7	34	GS35	32	27	67	E2980	34	24
4	E2961	19	12	35	GS153	32	28	68	F879	34	25
5	E3003	19	15	36	E1476	32	29	69	E1564	34	27
6	E1596A	19	19	37	E495	32	30	70	E1577	34	28
7	E2873	19	20	38	S70-7	32	31	71	E2982	34	30
8	E2874	19	21	39	E403	32	32	72	E1457	34	32
9	E2969	21	11	40	E2360	32	33	73	E1458	34	33
	E1956	21	14	41	E1537	32	34	74	E1483	34	34
10	E2899	21	16	42	E2794	33	2	75	E1513	34	35
	E2900	21	17	43	GS251	33	3	76	E470	34	36
11	E1488	21	20	44	E2790	33	4	77	E1330	35	1
12	E1487	21	21	45	E1670	33	5	78	E1575	35	2
13	E1543	21	24	46	GS254	33	6	79	E1574	36	3
14	E1544	21	25	47	E2788	33	7	80	E1512	35	4
15	WE259A	21	26	48	E2791	33	8	81	E3253	35	5
16	E2220A/3281	23	7	49	E2793	33	9	82	E1435	35	6
17	E672	23	9	50	E2789	33	10	83	GS272	35	10
18	E3523	23	10	51	E2792	33	11	84	GS273	35	11
19	E2412	23	13	52	E2218 T100	33	13	85	E2767	35	13
20	E1534A	23	15	53	E2615	33	25	86	E1335	35	14
21	E2022	23	18	54	E3437	33	27	87	E984	35	15
22	F1008	23	19	55	E3439	33	28	88	F1880	35	16
23	E1539	23	22	56	E375	33	41	89	SI-52	50	19
24	SI-51	23	23	57	E3059	34	6	90	E3355	74	26
25	E1532	23	25	58	GS36	34	8	91	E1529	74	27
26	E1535	23	26	59	H200	34	9	92	E3353	74	24
27	E1536	32	1	60	E2620	34	12	93	E2228	98	24
28	F879	32	2	61	E1505	34	13	94	E3354	74	25
29	E529	32	7	62	E1496	34	15				
30	E487	32	8	63	E3547	34	16				
31	E486	32	9	64	E1461T	34	17				

27

INDEX FIG. 5

Illust. No.	Part No.	Page No.	Ref. No.	Illust. No.	Part No.	Page No.	Ref. No.	Illust. No.	Part No.	Page No.	Ref. No.
1	CPI35	21	30	15	E1591	32	13	30	E1471	33	39
2	E656	22	1	18	E3300	32	19	31	E400	33	40
3	E3048	22	4	19	E1479	32	15	32	E2741	101	15
4	GE29	22	7	20	E1516	32	16	33	I70104	101	16
5	WE203E	22	16	21	E2260	32	17	34	E2254	34	1
6	WE479	22	17	22	E1472	32	29	35	GS87	34	2
7	E3906	22	24	23	E1580	32	30	36	E2256	34	3
8	E3891	22	21	24	E398	32	31	37	E3108/22	35	18
9	E3907	22	25	25	E3275	33	32	38	E3974	35	20
10	E3606	23	1		E3325	33	33	39	E3120	35	23
11	E1511	23	3	26	E1486A	33	35	40	E3976	35	21
12	E2490A	23	4	27	E1558	33	36	41	E3119	35	22
13	E2922	23	5	28	E1492	33	37	42	E2451	96	21
14	E3586	23	2	29	E1463	33	38	43	I11704	96	22
								44	H1168	32	14

ENGINE - GROUP 2

TROPHY (TR6) AND TIGER 110 (T110) ENGINE

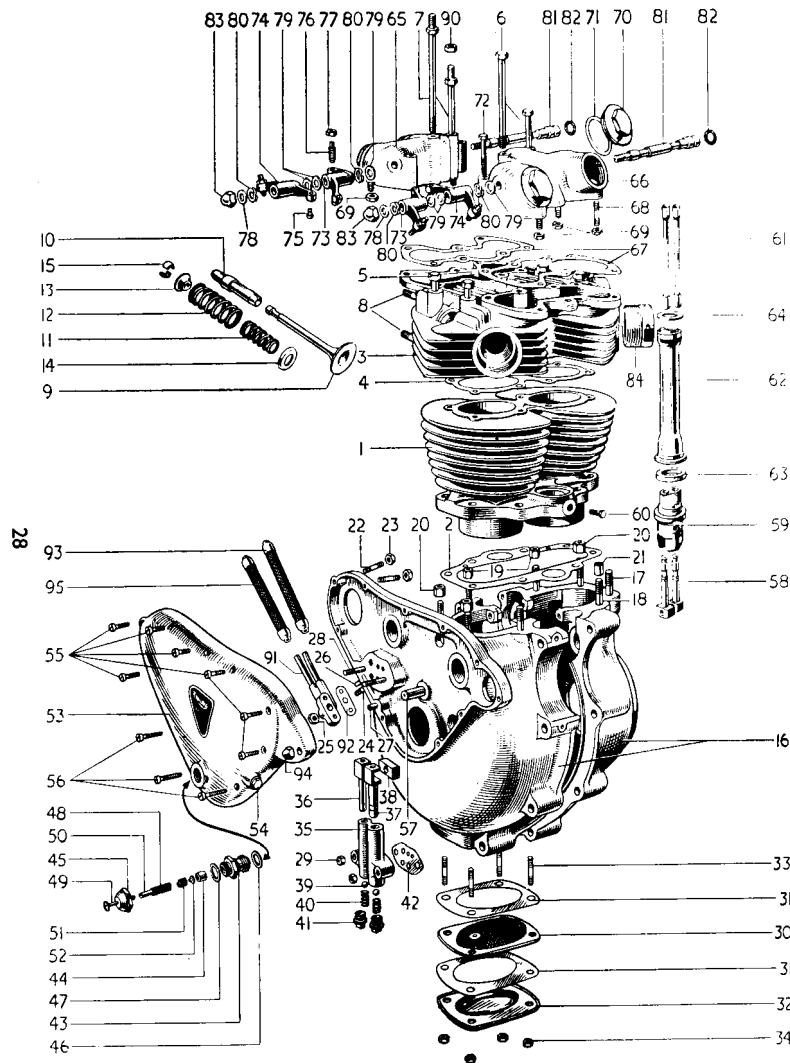


FIG. 6. CRANKCASE, CYLINDER BLOCK, CYLINDER HEAD, etc.

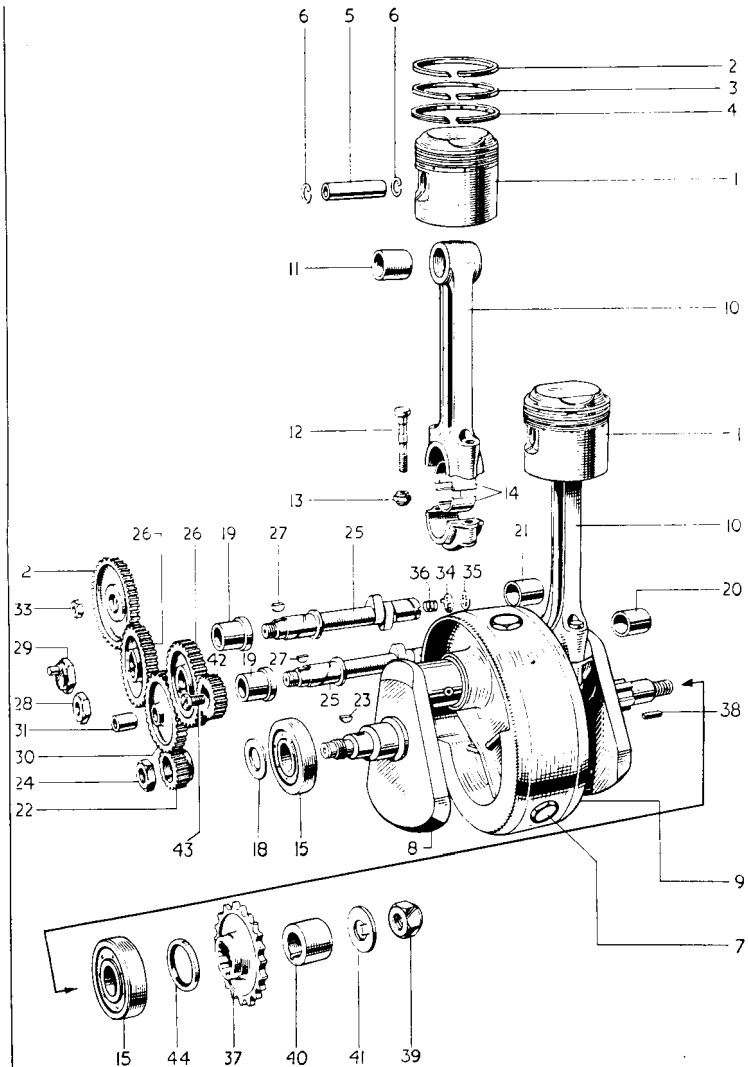


FIG. 7. CRANKSHAFT, CONNECTING RODS, PISTONS, TIMING GEARS, etc.

GROUP 2 - ENGINE

INDEX FIG. 6

Illust. No.	Part No.	Page No.	Ref. No.	Illust. No.	Part No.	Page No.	Ref. No.	Illust. No.	Part No.	Page No.	Ref. No.
1	E3332	19	1	31	E487	32	8	62	E3646	34	14
	E3332/TR6	19	3	32	E486	32	9	63	E1496	34	15
2	E2894	19	4	33	E1540	32	10	64	E3547	34	16
3	E3924	19	8	34	F879	32	12	65	E3550	34	18
4	E3614	19	14	35	GS35	32	27	66	E3551	34	20
5	E327	19	16	36	GS153	32	28	67	E3552	34	22
6	E1484	19	17	37	E1476	32	29	68	E2980	34	24
7	E1596	19	18	38	E495	32	30	69	F879	34	25
8	E2973	21	1	39	S70-7	32	31	70	E1564	34	27
9	E3310	21	12	40	E403	32	32	71	E1577	34	28
	E3927	21	15	41	E2360	32	33	72	E1545	34	29
10	E2899	21	16	42	E1537	32	34	73	E1457	34	32
	E2900	21	17	43	E2794	33	2	74	E1458	34	33
11	E1488	21	20	44	GS251	33	3	75	E1483	34	34
12	E1487	21	21	45	E2790	33	4	76	E1513	34	35
13	E1543	21	24	46	E1670	33	5	77	E470	34	36
14	E1544	21	25	47	GS254	33	6	78	E1330	35	1
15	WE259A	21	26	48	E2788	33	7	79	E1575	35	2
16	E2892/3282	23	8	49	E2791	33	8	80	E1574	35	3
17	E672	23	9	50	E2793	33	9	81	E1512	35	4
18	E3253	23	10	51	E2789	33	10	82	E3253	35	5
19	W76	23	11	52	E2792	33	11	83	E1435	35	6
20	PO172A	23	12	53	E2218 T110	33	14	84	E3583	19	12
21	E1534A	23	15		E2218 Trophy	33	15	90	S1-52	50	19
22	E2022	23	18	54	E2615	33	25	91	E3335	74	26
23	F1008	23	19	55	E3437	33	27	92	E1529	74	27
24	E1539	23	22	56	E3439	33	28	93	E3353	74	24
25	S1-51	23	23	57	E375	33	41	94	E2228	96	24
26	E1532	23	25	58	E3059	34	6	95	E3354	74	25
27	E1535	23	26	59	E1477	34	7				
28	E1536	32	1	60	H200	34	9				
29	F879	32	2	61	E2620	34	12				
30	E529	32	7								

INDEX FIG. 7

Illust. No.	Part No.	Page No.	Ref. No.	Illust. No.	Part No.	Page No.	Ref. No.	Illust. No.	Part No.	Page No.	Ref. No.
1	CPI63	21	33	15	E1591	32	13	31	E400	33	40
2	E3049	22	10	18	E3300	32	19	32	E2741	101	15
3	E3049	22	10	19	E1479	32	15	33	170104	101	16
4	E2898	22	13	20	E1516	32	16	34	E2254	34	1
5	WE203E	22	16	21	E2260	32	17	35	GS87	34	2
6	WE479	22	17	22	E1472	33	29	36	E2256	34	3
7	E3906	22	24	23	E1580	33	30	37	E3108 24	35	17
8	E3894	22	20	24	E398	33	31	38	E3974	35	20
9	E3907	22	25	25	E3325	33	33	39	E3120	35	23
10	E3606	23	1	26	E1486A	33	35	40	E3976	35	21
11	E1511	23	3	27	E1558	33	36	41	E3119	35	22
12	E2490A	23	4	28	E1492	33	37	42	E2451	96	21
13	E2922	23	5	29	E1463	33	38	43	111704	96	22
14	E3586	23	2	30	E1471	33	39	44	H1168	32	14

BONNEVILLE 120

GROUP 2 — ENGINE

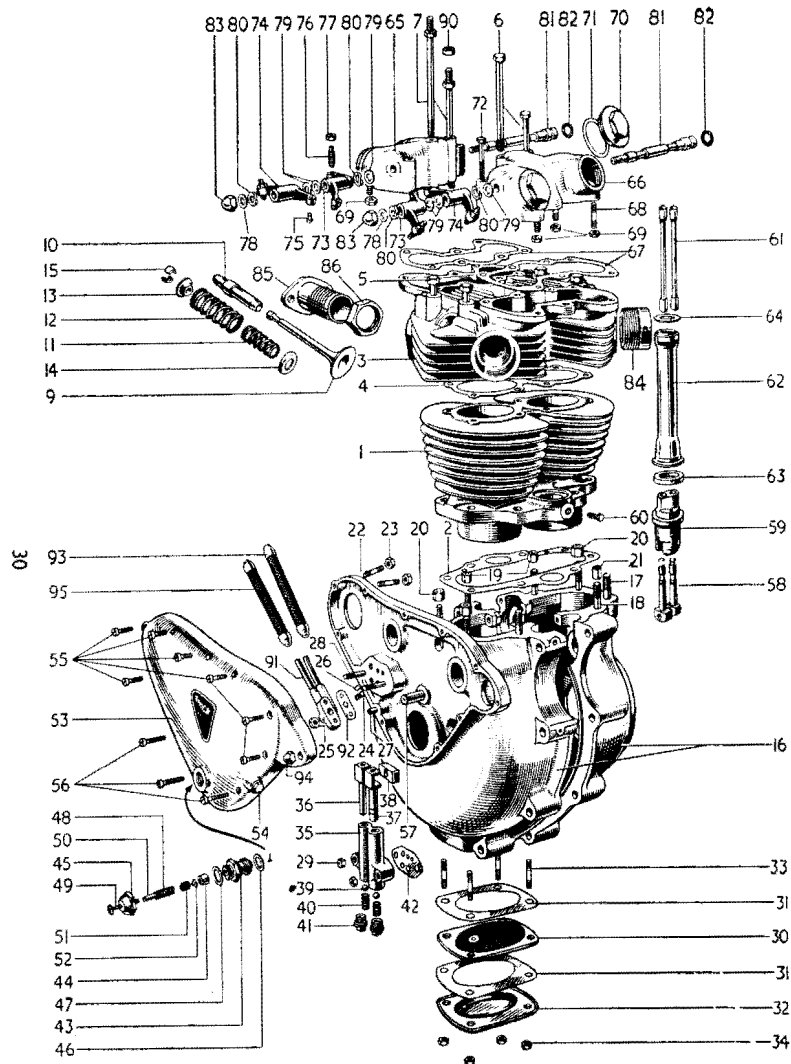


FIG. 8. CRANKCASE, CYLINDER BLOCK, CYLINDER HEAD, etc.

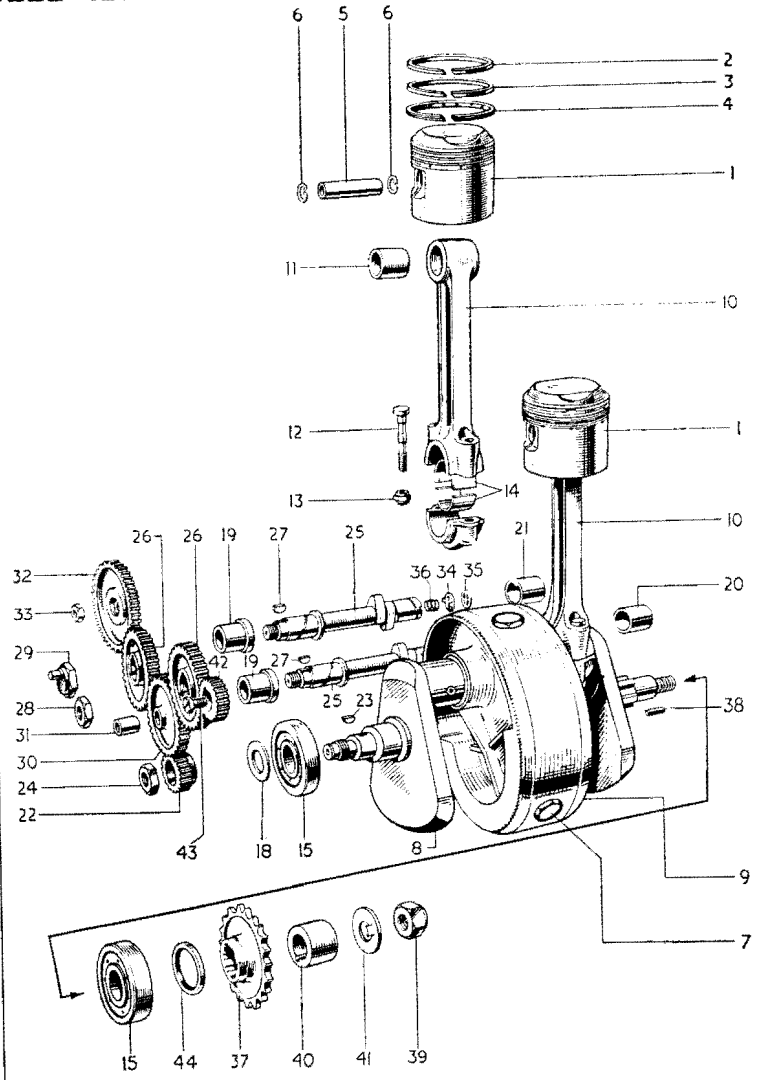


FIG. 9. CRANKSHAFT, CONNECTING RODS, PISTONS, TIMING GEARS, etc.

INDEX FIG. 8

Illust. No.	Part No.	Page No.	Ref. No.	Illust. No.	Part No.	Page No.	Ref. No.	Illust. No.	Part No.	Page No.	Ref. No.
1	E3332	19	1	32	E486	32	9	64	E3547	34	16
2	E2894	19	3	33	E1540	32	10	65	E3550	34	18
3	E4019	19	9	34	F879	32	12	66	E3551	34	20
4	E3614	19	14	35	GS35	32	27	67	E3552	34	22
5	E327	19	16	36	GS153	32	28	68	E2980	34	24
6	E1484	19	17	37	E1476	32	29	69	F879	34	25
7	E1596	19	18	38	E495	32	30	70	E1564	34	27
9	E3310	21	12	39	S70-7	32	31	71	E1577	34	28
	E3927	21	15	40	E403	32	32	72	E1545	34	29
10	E3827	21	18	41	E2360	32	33	73	E1457	34	32
	E3828	21	19	42	E1537	32	34	74	E1458	34	33
11	E3001	21	22	43	E2794	33	2	75	E1483	34	34
12	E3002	21	23	44	GS251	33	3	76	E1513	34	35
13	E1543	21	24	45	E2790	33	4	77	E470	34	36
14	E1544	21	25	46	E1670	33	5	78	E1330	35	1
15	WE259A	21	26	47	GS254	33	6	79	E1575	35	2
16	E2892 3282	23	8	48	E2788	33	7	80	E1574	35	3
17	E672	23	9	49	E2791	33	8	81	E1512	35	4
18	E3253	23	10	50	E2793	33	9	82	E3253	35	5
19	W76	23	11	51	E2789	33	10	83	E1435	35	6
20	PO172A	23	12	52	E2792	33	11	84	E3583	19	13
21	E1534A	23	15	53	E2218/T120	33	16	85	E3940	19	10
22	E2022	23	18	54	E2615	33	25	86	E3847	19	11
23	F1008	23	19	55	E3437	33	27	90	S1-52	50	19
24	E1539	23	22	56	E3439	33	28	91	E3335	74	26
25	S1-51	23	23	57	E375	33	41	92	E1529	74	27
26	E1532	23	25	58	E3059	34	6	93	E3353	74	24
27	E1535	23	26	59	E1477	34	7	94	E2228	96	24
28	E1536	32	1	60	H200	34	9	95	E3354	74	25
29	F879	32	2	61	E2620	34	12				
30	E529	32	7	62	E3646	34	14				
31	E487	32	8	63	E1496	34	15				

INDEX FIG. 9

Illust. No.	Part No.	Page No.	Ref. No.	Illust. No.	Part No.	Page No.	Ref. No.	Illust. No.	Part No.	Page No.	Ref. No.
1	CP157	21	36	18	E3300	32	19	32	E2741	101	15
2	E3049	22	10	19	E1479	32	15	33	I70104	101	16
3	E3049	22	10	20	E1516	32	16	34	E2254	34	1
4	E2898	22	13	21	E2260	32	17	35	GS87	34	2
5	WE203E	22	16	22	E1472	33	29	36	E2256	34	3
6	WE479	22	17	23	E1580	33	30	37	E3108 24	35	17
7	E3906	22	24	24	E398	33	31	38	E3974	35	20
8	E3894	22	20	25	E3325	33	33	39	E3120	35	23
9	E3907	22	25		E3134	33	34	40	E3976	35	21
10	E3606	23	1	26	E1486A	33	35	41	E3119	35	22
11	E1511	23	3	27	E1558	33	36	42	E2451	96	21
12	E2490A	23	4	28	E1492	33	37	43	I11704	96	22
13	E2922	23	5	29	E1463	33	38	44	H1168	32	14

GROUP 2 — ENGINE

REF. No.	PART No.	DESCRIPTION	6T	T100	T110	TR6	T120			
1	E1536	Stud, oil pump fixing 1 $\frac{7}{16}$ " O/A	2	2	2	2	2
2	F879	Nut, oil pump fixing stud	2	2	2	2	2
3	E2312	Washer, oil pump fixing stud	2	2	2	2	2
4	E1508	Pipe, crankcase oil return	1	1	1	1	1
5	E1509	Clip, crankcase oil return pipe	1	1	1	1	1
6	E1645	Screw, crankcase oil return pipe $\frac{11}{16}$ " U/H	1	1	1	1	1

CRANKCASE OIL FILTER

7	E529	Filter, crankcase oil	1	1	1	1	1
8	E487	Washer, crankcase oil filter joint	2	2	2	2	2
9	E486	Cover, crankcase oil filter joint	1	1	1	1	1
10	E1540	Stud, crankcase oil filter joint $\frac{3}{8}$ " O/A	4	4	4	4	4
11	E1612	Washer, crankcase oil filter stud locking	4	4	4	4	4
12	F879	Nut, crankcase oil filter	4	4	4	4	4

CRANKCASE BEARINGS

13	E1591	Bearing, crankshaft (ball journal)	2	2	2	2	2
14	H1168	Oil Seal, L.H. Bearing	1	1	1	1	1
15	E1479	Bush, timing side camshaft	2	2	2	2	2
16	E1516	Bush, driving side camshaft (exhaust)...	1	1	1	1	1
17	E2260	Bush, driving side camshaft (breather)	1	1	1	1	1
18	E2311	Pin, timing side camshaft (breather)	1	1	1	1	1
19	E3300	Clamping Washer, T/S bearing	1	1	1	1	1

STUDS AND BOLTS FOR CRANKCASE HALVES

20	E1555	Bolt, crankcase top rear	1	1	1	1	1
21	S25-3	Washer, crankcase top rear bolt	1	1	1	1	1
22	T456	Stud, crankcase bottom front $3\frac{3}{4}$ " O/A	1	1	1	1	1
23	SI-51	Nut, crankcase bottom front stud	2	2	2	2	2
24	S25-3	Washer, crankcase bottom front stud	2	2	2	2	2
25	E1647	Screw, crankcase inside boss $\frac{3}{4}$ " U/H	2	2	2	2	2

FOR ENGINE PLATE STUDS SEE PAGE 52.

OIL PUMP

26	E3072	Pump, assembly, oil	1	1	1	1	1
27	GS35	Body, oil pump	1	1	1	1	1
28	GS153	Plunger, oil pump feed	1	1	1	1	1
29	E1476	Plunger, oil pump scavenge	1	1	1	1	1
30	E495	Block, oil pump slider	1	1	1	1	1
31	S70-7	Ball, oil pump valve	2	2	2	2	2
32	E403	Spring, oil pump valve	2	2	2	2	2
33	E2360	Plug, oil pump body	2	2	2	2	2
34	E1537	Washer, oil pump joint	1	1	1	1	1

ENGINE — GROUP 2

REF. No.	PART No.	DESCRIPTION	6T	T10J	T110	TR6	T120
OIL RELEASE VALVE							
1	E2795	Valve, release and oil indicator	1	1	1	1	1
2	E2794	Body, release valve	1	1	1	1	1
3	GS251	Piston, release valve	1	1	1	1	1
4	E2790	Cap, release valve	1	1	1	1	1
5	E1670	Washer, release valve body	1	1	1	1	1
6	GS254	Washer, release valve cap	1	1	1	1	1
7	E2788	Spring, release valve main	1	1	1	1	1
8	E2791	Shaft, indicator button	1	1	1	1	1
9	E2793	Tube, indicator rubber	1	1	1	1	1
10	E2789	Spring, indicator auxiliary	1	1	1	1	1
11	E2792	Nut, indicator shaft	1	1	1	1	1
TIMING COVER							
12	E3110/6T	Cover, timing gear	1	—	—	—	—
13	E2218/T100	Cover, timing gear	—	1	—	—	—
14	E2218/T110	Cover, timing gear	—	—	1	—	—
15	E2218/TROPHY	Cover, timing gear	—	—	—	1	—
16	E2218/T120	Cover, timing gear	—	—	—	—	1
17	E2909	Patent plate	1	—	—	—	—
18	E1678	Patent plate	—	1	—	—	—
19	E2910	Patent plate	—	—	1	—	—
20	E2876	Patent plate	—	—	—	1	—
21	E4016	Patent plate	—	—	—	—	1
22	D208-5	Rivet, patent plate	3	3	3	3	3
23	E378	Bush, timing gear cover	1	1	1	1	1
24	E3585	Bush, timing gear cover (0.020" U.S.)	A	A	A	A	A
25	E2615	Plug, timing gear cover	1	1	1	1	1
26	E1335	Washer, timing gear cover plug	1	1	1	1	1
27	E3437	Screw, timing gear cover (short), $\frac{15}{16}$ " U/H	7	7	7	7	7
28	E3439	Screw, timing gear cover (long), $1\frac{3}{16}$ " U/H	3	3	3	3	3
TIMING GEARS AND CAMSHAFTS							
29	E1472	Pinion, timing	1	1	1	1	1
30	E1580	Key, timing pinion	1	1	1	1	1
31	E398	Nut, timing pinion	1	1	1	1	1
32	E3275	Camshaft, inlet and exhaust	2	2	—	—	—
33	E3325	Camshaft, inlet and exhaust	—	A	2	2	1
34	E3134	Camshaft, inlet	—	—	—	—	1
35	E1486A	Wheel, inlet and exhaust camshaft	2	2	2	2	2
36	E1558	Key, camshaft wheel	2	2	2	2	2
37	E1492	Nut, camshaft wheel exhaust	1	1	1	1	1
38	E1463	Nut, camshaft wheel inlet (pump drive)	1	1	1	1	1
39	E1471	Wheel, intermediate gear	1	1	1	1	1
40	E400	Bush, intermediate gear wheel	1	1	1	1	1
41	E375	Spindle, intermediate gear wheel	1	1	1	1	1
42	E3123	Pinion, distributor	1	—	—	—	—
43	E3125	Pin, distributor pinion	1	—	—	—	—
44	E3126	Circlip distributor pinion	1	—	—	—	—
45	146460	Washer, distributor pinion (brass)	1	—	—	—	—

GROUP 2 — ENGINE

REF. No.	PART No.	DESCRIPTION	6T	T100	T110	TR6	T120
CRANKCASE BREATHER							
1	E2254	Valve, crankcase rotary	1	1	1	1	1
2	GS87	Disc, crankcase rotary valve	1	1	1	1	1
3	E2256	Spring, crankcase rotary valve	1	1	1	1	1
4	E2724	Pipe, crankcase breather	1	1	1	1	1
5	E3078	Extension, crankcase breather pipe (rubber)	1	1	1	1	1
TAPPETS AND TAPPET BLOCKS							
6	E3059	Tappet	4	4	4	4	4
7	E1477	Block, tappet guide	2	—	2	2	2
8	GS36	Block, tappet guide	—	2	—	—	—
9	H200	Screw, tappet guide block lock, $\frac{7}{16}$ " U/H	2	2	2	2	2
10	E2312	Washer, serrated	2	2	2	2	2
PUSH RODS							
11	E1693	Rod, push	4	—	—	—	—
12	E2620	Rod, push	—	4	4	4	4
PUSH ROD COVER TUBE							
13	E1505	Tube, push rod cover	2	—	—	—	—
14	E3646	Tube, push rod cover	—	2	2	2	2
15	E1496	Washer, push rod cover lower seal	2	2	2	2	2
16	E3547	Washer, push rod cover upper seal	2	2	2	2	2
OVERHEAD ROCKER GEAR							
17	E1461T	Box, inlet rocker	1	—	—	—	—
18	E3550	Box, inlet rocker	—	1	1	1	1
19	E1462T	Box, exhaust rocker	1	—	—	—	—
20	E3551	Box, exhaust rocker	—	1	1	1	1
21	E1650	Gasket, rocker box joint	4	—	—	—	—
22	E3552	Gasket, rocker box joint	—	2	2	2	2
23	E1540	Stud, rocker box to cylinder head, $\frac{3}{32}$ " O/A	4	—	—	—	—
24	E2980	Stud, rocker box to cylinder head, $\frac{1}{16}$ " O/A	—	4	6	6	6
25	F879	Nut, rocker box to cylinder head	4	4	6	6	6
26	E3302	Washer, rocker box to cylinder head nut	—	4	6	6	6
27	E1564	Cap, rocker box inspection	4	4	4	4	4
28	E1577	Washer, rocker box inspection cap	4	4	4	4	4
29	E1545	Bolt, rocker box to cylinder head, 2" U/H	4	—	4	4	4
30	E2982	Bolt, rocker box to cylinder head, 2 $\frac{5}{32}$ " U/H	—	4	—	—	—
31	S25-13	Washer, rocker box to cylinder head	4	4	4	4	4
32	E1457	Rocker, valve, R.H.	2	2	2	2	2
33	E1458	Rocker, valve, L.H.	2	2	2	2	2
34	E1483	Ball pin, valve rocker	4	4	4	4	4
35	E1513	Adjusting pin, valve rocker	4	4	4	4	4
36	E470	Locknut, adjusting pin	4	4	4	4	4

ENGINE — GROUP 2 GASKET SET — GROUP 3

REF. No.	PART No.	DESCRIPTION	6T	T100	T110	TR6	T120
1	E1300	Washer, valve rocker, thrust $\frac{3}{8}$ "	2	2	2	2	2
2	E1575	Washer, valve rocker, thrust $\frac{1}{2}$ "	6	6	6	6	6
3	E1574	Washer, valve rocker spring	4	4	4	4	4
4	E1512	Spindle, valve rocker	2	2	2	2	2
5	E3253	Sealing ring, rocker spindle (rubber)	2	2	2	2	2
6	E1435	Nut, valve rocker spindle (dome)	2	2	2	2	2
7	E1335	Washer, valve rocker spindle (copper)	4	4	4	4	4

ROCKER OIL FEED AND DRAIN PIPES

8	E3082	Pipe, rocker oil feed	1	1	1	1	1
9	E3383	Connection, feed pipe (rubber)	1	1	1	1	1
10	GS272	Pipe, rocker oil drain inlet	1	1	—	—	—
11	GS273	Pipe, rocker oil drain exhaust	1	1	—	—	—
12	E1601	Adaptor, drain pipe to cylinder head	4	—	—	—	—
13	E2767	Adaptor, drain pipe to cylinder head	—	4	—	—	—
14	E1335	Washer, drain pipe to cylinder head	8	8	—	—	—
15	E984	Adaptor, drain pipe to cover tube	2	2	—	—	—
16	F1880	Washer, drain pipe to cover tube	4	4	—	—	—

ENGINE SPROCKET

17	E3108/24	Sprocket, engine 24T solo	1	—	1	1	1
18	E3108/22	Sprocket, engine 22T solo	—	1	—	—	—
19	E3108/22	Sprocket, engine 22T sidecar	A	—	—	—	—
20	E3974	Key, crankshaft left side	1	1	1	1	1
21	E3976	Distance piece	—	1	1	1	1
22	E3119	Tab washer	—	1	1	1	1
23	E3120	Nut, engine sprocket	—	1	1	1	1

For 6T nut and tab washer see Page 104.

Engine sprockets are available in sizes from 17 to 25 teeth.

GASKET SET—GROUP 3

24	GS6T/56	Gasket set	1	—	—	—	—
25	GST100/56	Gasket set	—	1	—	—	—
26	GST110/56	Gasket set	—	—	1	1	1

GROUP 4 — GEARBOX

REF. No. PART No. DESCRIPTION 6T T100 T110 TR6 T120

GEARBOX—GROUP 4

1	T1525	Gearbox complete less clutch—standard ratio ...	1	1	1	—	—
2	T1528	Gearbox complete less clutch—standard ratio ...	—	—	—	1	—
3	T1583	Gearbox complete less clutch—standard ratio ...	—	—	—	—	1
4	T1526	Gearbox complete less clutch—close ratio ...	1	1	1	—	—
5	T1529	Gearbox complete less clutch—close ratio ...	—	—	—	1	—
6	T1584	Gearbox complete less clutch—close ratio ...	—	—	—	—	1
7	T1527	Gearbox complete less clutch—wide ratio ...	1	1	1	—	—
8	T1530	Gearbox complete less clutch—wide ratio ...	—	—	—	1	—
9	T1585	Gearbox complete less clutch—wide ratio ...	—	—	—	—	1

GEARBOX CASING

10	T1201	Casing, with bushes, gearbox ...	1	1	1	1	1
11	T989	Dowel, casing to inner cover ...	2	2	2	2	2
12	E698	Stud, casing to outer cover, $2\frac{7}{8}$ " O/A	2	2	2	2	2
13	S1-51	Nut, casing stud ...	2	2	2	2	2
14	S25-3	Washer, casing stud ...	2	2	2	2	2
15	T1562	Cover with bushes, gearbox inner ...	1	1	1	1	1
16	T323A	Stud, inner cover to outer cover, $1\frac{11}{16}$ " O/A	1	1	1	1	1
17	S1-51	Nut, inner cover to outer cover stud ...	1	1	1	1	1
18	S25-3	Washer, inner cover to outer cover stud ...	1	1	1	1	1
19	E3436	Screw, inner cover to casing (long), $1\frac{1}{2}$ " U/H	1	1	1	1	1
20	E3437	Screw, inner cover to casing, $\frac{1}{8}$ " U/H	3	3	3	3	3
21	T45	Stop, kickstarter quadrant ...	1	1	1	1	1
22	E732	Plug, filler ...	1	1	1	1	1
23	NE507	Washer, filler plug ...	1	1	1	1	1
24	T1534	Cover, with bushes, gearbox outer ...	1	1	1	1	1
25	E3442	Screw, outer cover to casing (long), 3" U/H	1	1	1	1	1
26	E3438	Screw, outer cover to casing, $2\frac{9}{16}$ " U/H	1	1	1	1	1
27	E3437	Screw, outer cover to inner cover, $\frac{1}{8}$ " U/H	2	2	2	2	2
28	E3439	Screw, outer cover to inner cover (long), $1\frac{3}{16}$ " U/H	1	1	1	1	1
29	T1542	Cover, plate outer cover ...	1	1	1	1	1
30	T1541	Joint, washer, cover plate ...	1	1	1	1	1
31	E2312	Washer, cover screw ...	2	2	2	2	2
32	T1553	Screw, cover plate, $\frac{3}{8}$ " U/H ...	2	2	2	2	2
33	S46-15	Plug, gearbox drain and cover level ...	2	2	2	2	2
34	PT.104B	Washer, gearbox drain and cover level ...	2	2	2	2	2

GEARBOX — GROUP 4

REF. No. PART No. DESCRIPTION 6T T100 T110 TR6 T120

GEARBOX FITTINGS

1	F3769	Stud, gearbox clamp 4 $\frac{1}{8}$ " O/A	1	1	1	1	1
2	F3770	Washer, R.H. gearbox clamp stud	1	1	1	1	1
3	F3771	Nut, L.H. gearbox clamp stud	1	1	1	1	1
4	F3772	Nut, R.H. gearbox clamp stud	1	1	1	1	1
5	F3575	Bolt, gearbox pivot 7" U/H	1	1	1	1	1
6	DS47	Nut, gearbox pivot bolt	1	1	1	1	1
7	PCW73A	Washer, gearbox pivot bolt	1	1	1	1	1
8	F4422	Eyebolt, gearbox adjuster	1	1	1	1	1
9	GS203	Washer, eyebolt nut	2	2	2	2	2
10	SI-51	Nut, gearbox eyebolt	2	2	2	2	2
11	F3767	Pivot pin, gearbox adjuster	1	1	1	1	1
12	S26-1	Washer, pivot pin	1	1	1	1	1
13	PO172A	Nut, pivot pin	1	1	1	1	1

SHAFTS AND GEARS (STANDARD RATIO)

(See page 43 for wide and close ratio gears)

14	T914	Mainshaft and low gear (16T)	1	1	1	1	1
15	PT108B	Bush, mainshaft for clutch rod	1	1	1	1	1
16	S66-1	Woodruff key No. 6	1	1	1	1	1
17	T1047	Nut, clutch to mainshaft	1	1	1	1	1
18	T1045	Washer, clutch to mainshaft, plain	1	1	1	1	1
19	T1046	Washer, clutch to mainshaft, lock	1	1	1	1	1
20	T1382	Gear, mainshaft high (26T)	1	1	1	1	1
21	T1370	Bush, mainshaft high gear	1	1	1	1	1
22	T917	Gear, mainshaft 3rd (24T)	1	1	1	1	1
23	T916	Gear, mainshaft 2nd (20T)	1	1	1	1	1
24	T1063	Layshaft c/w high gear (20T) and speedometer gear	1	1	1	1	1
25	T930	Gear, layshaft 3rd (22T)	1	1	1	1	1
26	T1065	Gear, layshaft 2nd (26T)	1	1	1	1	1
27	T926	Gear, layshaft low (30T)	1	1	1	1	1
28	T928	Bush, layshaft low gear	1	1	1	1	1

For speedometer drive gears see page 108.

GEARBOX CASING BEARINGS

29	T448	Bearing, high gear	1	1	1	1	1
30	T946	Oil seal, high gear bearing	1	1	1	1	1
31	E489	Circlip, high gear bearing retaining	1	1	1	1	1
32	S35-7	Bearing, mainshaft	1	1	1	1	1
33	T280	Circlip, mainshaft bearing	1	1	1	1	1
34	T1367	Bush, layshaft casing and inner cover	2	2	2	2	2
35	T912	Peg, layshaft bush	2	2	2	2	2
36	T981	Disc, layshaft bush	1	1	1	1	1

GEARBOX

GROUP 4 — GEARBOX

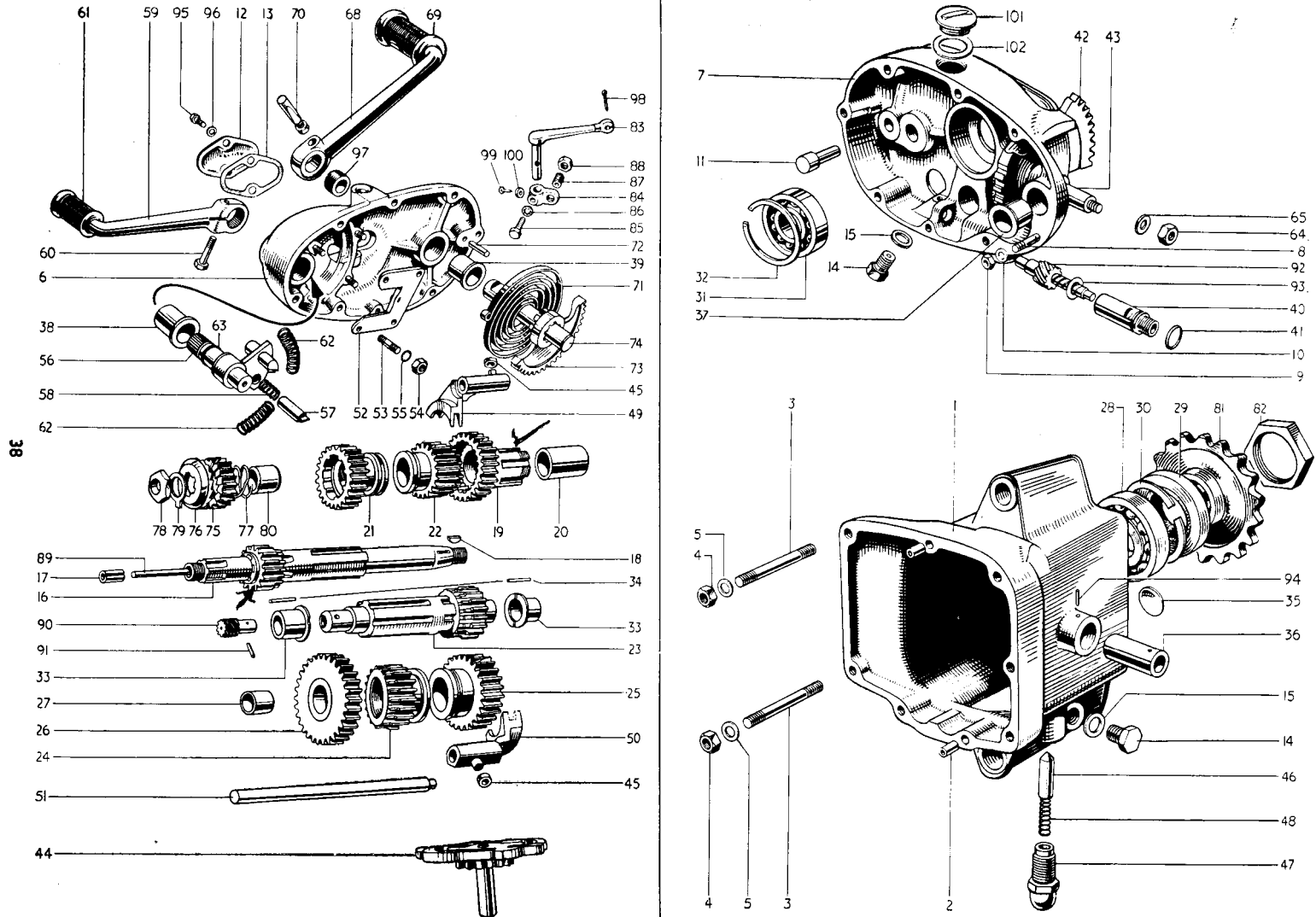


FIG. 10

INDEX FIG. 10

Illust No.	Part No.	Page No.	Ref. No.	Illust. No.	Part No.	Page No.	Ref. No.	Illust. No.	Part No.	Page No.	Ref. No.
1	T1201	36	10	35	T981	37	36	70	T1222	41	1
2	T989	36	11	36	T341	40	1	71	T31	41	2
3	E698	36	12	37	T412	40	3	72	T47	41	3
4	S1-51	36	13	38	T57	40	4	73	T25A	41	4
5	S25-3	36	14	39	T23	40	5	74	T24A	41	5
6	T1534	36	24	40	T933	40	6	75	T730	41	6
7	T1562	36	15	41	T948	40	7	76	T731	41	7
8	T323A	36	16	42	T397	40	8	77	T1250	41	9
9	S1-51	36	17	43	T399	40	9	78	NT297	41	10
10	S25-3	36	18	44	T500	40	10	79	T732	41	11
11	T45	36	21	45	NT261	40	11	80	T1338	41	8
12	T1542	36	29	46	T44	40	12	81	T471A	41	12
13	T1541	36	30	47	T372	40	13	82	T440	41	13
14	S46-15	36	33	48	T373	40	14	83	T1539	42	1
15	PT104B	36	34	49	T260B	40	15	84	T1536	42	3
16	T914	37	14	50	T913	40	16	85	T1554	42	6
17	PT108B	37	15	51	T291	40	17	86	E2312	42	7
18	S66-1	37	16	52	T407	40	18	87	T413	42	9
19	T1382	37	20	53	T454	40	19	88	T453	42	10
20	T1370	37	21	54	F879	40	20	89	T1552	42	11
21	T917	37	22	55	E2312	40	21	90	T924	108	10
22	T916	37	23	56	T408 1540	40	22	91	T925	108	12
23	T1063	37	24	57	T406	40	24	92	T934	108	13
24	T930	37	25	58	T405	40	25	93	T825	108	15
25	T1065	37	26	59	T1194	40	26	94	E3449	40	2
26	T926	37	27	60	W932	40	28	95	T1553	36	32
27	T928	37	28	61	T449	40	29	96	E2312	36	31
28	T448	37	29	62	T404	40	30	97	T1512	40	35
29	T946	37	30	63	E3309	40	23	98	Split pin	42	2
30	E489	37	31	64	T224	40	31	99	E3412	42	5
31	S35-7	37	32	65	S25-3	40	32	100	T1538	42	4
32	T280	37	33	68	T451	40	33	101	E732	36	22
33	T1367	37	34	69	F1814	40	41	102	NE507	36	23
34	T912	37	35								

GROUP 4 — GEARBOX

REF. No.	PART No.	DESCRIPTION	6T	T100	T110	TR6	T120
1	T341	Bush, gear selector camplate					
2	E3449	Peg, gear selector camplate bush					
3	T412	Bush, footchange spindle inner					
4	T57	Bush, footchange spindle outer					
5	T23	Bush, kickstarter outer					
6	T933	Bush, speedo gear inner cover					
7	T948	Washer, speedo gear bush sealing					

GEAR CHANGE SELECTOR MECHANISM

8	T397	Quadrant, gear operating					
9	T399	Spindle, gear operating quadrant					
		Split pin $1\frac{1}{2}'' \times \frac{3}{4}''$ dia.... ..					
10	T500	Camplate, gear control					
11	NT261	Roller, gear control camplate	2	2	2	2	2
12	T44	Plunger, gear control camplate					
13	T372	Bush, gear control camplate plunger					
14	T373	Spring, gear control camplate plunger					
15	T260B	Fork, gear selector mainshaft					
16	T913	Fork, gear selector layshaft					
17	T291	Rod, gear selector fork					
18	T407	Plate, quadrant guide					
19	T454	Stud, quadrant guide plate $\frac{7}{8}''$ O/A	4	4	4	4	4
20	F879	Nut, quadrant guide plate stud	4	4	4	4	4
21	E2312	Washer, quadrant guide plate stud	4	4	4	4	4
22	T408 1540	Quadrant, gearchange					
23	E3309	"O" ring, gearchange quadrant					
24	T406	Plunger, gear quadrant	2	2	2	2	2
25	T405	Spring, gear quadrant plunger	2	2	2	2	2
26	T1194	Pedal, gearchange					
27	T1564	Pedal, gearchange (Heel and Toe) (Alternative equipment)	A	A	A	A	A
28	W932	Set screw, gearchange pedal $1''$ U/H					
29	T449	Rubber, gearchange pedal					
30	T404	Spring, gearchange pedal return	2	2	2	2	2
31	T224	Nut, gear quadrant spindle					
32	S25-3	Washer, gear quadrant spindle					

KICKSTARTER

33	T451	Crank, kickstarter (rigid)				—	
34	*T1270	Crank, kickstarter (folding) complete	A	A	A		A
35	T1512	Tube, kickstarter shaft rubber					
36	T1271	Lever, kickstarter	A	A	A		A
37	T1272	Pedal, kickstarter	A	A	A		A
38	T1273	Bolt, lever to pedal $1.155''$ U/H	A	A	A		A
39	S70-3	Ball, pedal locating	A	A	A		A
40	T1167	Spring, pedal locating ball	A	A	A		A
41	F1814	Rubber, kickstarter pedal					

* Fitted to T100 and T110 machines for export to U.S.A.

GEARBOX — GROUP

REF. No.	PART No.	DESCRIPTION	6T	T100	T110	TR6	T12
1	T1222	Cotter pin c/w nut and washer					
2	T31	Spring, k/s crank return					
3	T47	Peg, k/s anchor					
4	T25A	Quadrant, kickstarter					
5	T24A	Shaft, kickstarter axle					
6	T730	Pinion, kickstarter					
7	T731	Ratchet, kickstarter					
8	T1338	Sleeve, kickstarter pinion					
9	T1250	Spring, kickstarter pinion					
10	NT297	Nut, kickstarter ratchet					
11	T732	Washer, kickstarter lock					

GEARBOX SPROCKET

12	T471A	Sprocket, gearbox					
13	T440	Nut, gearbox sprocket locking					

CLUTCH AND SHOCK ABSORBER

14	T1548	Clutch assembly					
15	T1586	Clutch assembly	—	—	—	—	—
16	T1549	Housing clutch sprocket					
17	T1038	Centre, clutch					
18	T1039	Plate, inner, retaining shock absorber					
19	T1040	Screw, inner, retaining shock absorber, 0.417"	4	4	4	4	4
20	T1041	Spider, clutch shock absorber					
21	T1472	Rubber insert, clutch shock absorber (drive)	4	4	4	4	4
22	T1473	Rubber insert, clutch shock absorber (rebound)	4	4	4	4	4
23	T1044	Plate, outer, retaining shock absorber					
24	T1040	Screw, outer, retaining shock absorber, 0.417" U/H	4	4	4	4	4
25	T418	Hub, clutch					
26	T394	Roller, clutch housing to hub	20	20	20	20	20
27	T1362	Plate, clutch driving (bonded)	5	5	5	5	5
28	T1363	Plate, clutch driven (plain)	6	6	6	6	6
29	T999	Spring, clutch pressure	4	4	4	4	—
30	T1560	Spring, clutch pressure (strong)	A	A	A	A	4
31	T423A	Pin, clutch pressure spring, 1 $\frac{3}{8}$ " U/H	4	4	4	4	4
32	T427	Nut, clutch pressure spring pin	4	4	4	4	4
33	T998	Cup, clutch pressure spring	4	4	4	4	4
34	T986	Plate, clutch pressure c/w button					
35	T422	Button, clutch pressure plate					

WIDE RATIO GEARS — GROUP 5
STANDARD RATIO GEARS — GROUP 6
CLOSE RATIO GEARS — GROUP 7

REF. No. PART No.

DESCRIPTION

6T T100 T110 TR6 T120

WIDE RATIO GEARS—GROUP 5

To convert from standard to wide ratio

1	T1384	Gear, mainshaft high 28T					
2	T968	Gear, mainshaft 2nd 19T					
3	T971	Gear, layshaft high 18T c/w speedo gear					
4	T974	Gear, layshaft 2nd 27T					
5	T975	Gear, speedometer driven					

STANDARD RATIO GEARS—GROUP 6

To convert from wide to standard ratio

6	T1382	Gear, mainshaft high 26T					
7	T916	Gear, mainshaft 2nd 20T					
8	T1063	Gear, layshaft high 20T c/w speedo gear					
9	T1065	Gear, layshaft 2nd 26T					
10	T934	Gear, speedometer driven					

CLOSE RATIO GEARS—GROUP 7

11	T1177	Mainshaft and low gear 18T					
12	T1383	Gear, mainshaft high 24T					
13	T955	Gear, mainshaft 2nd 21T					
14	T1179	Gear, mainshaft 3rd 23T					
15	T959	Layshaft and high gear 22T					
16	T961	Gear, layshaft low 28T					
17	T963	Gear, layshaft 2nd 25T					
18	T964	Gear layshaft 3rd 23T					
19	T983	Plug, speedometer drive sealing					
20	T948	Washer, speedometer drive plug					

Gear Ratios. Suitable ratios can be selected from the three groups which will enable the rider to operate his machine for normal road work or sporting events. To vary the ratios of any group, engine sprockets ranging from 17 to 25 teeth are available.

On the page following there will be found a R.P.M. and Gear Ratio Chart, which will assist the rider in making his selection.

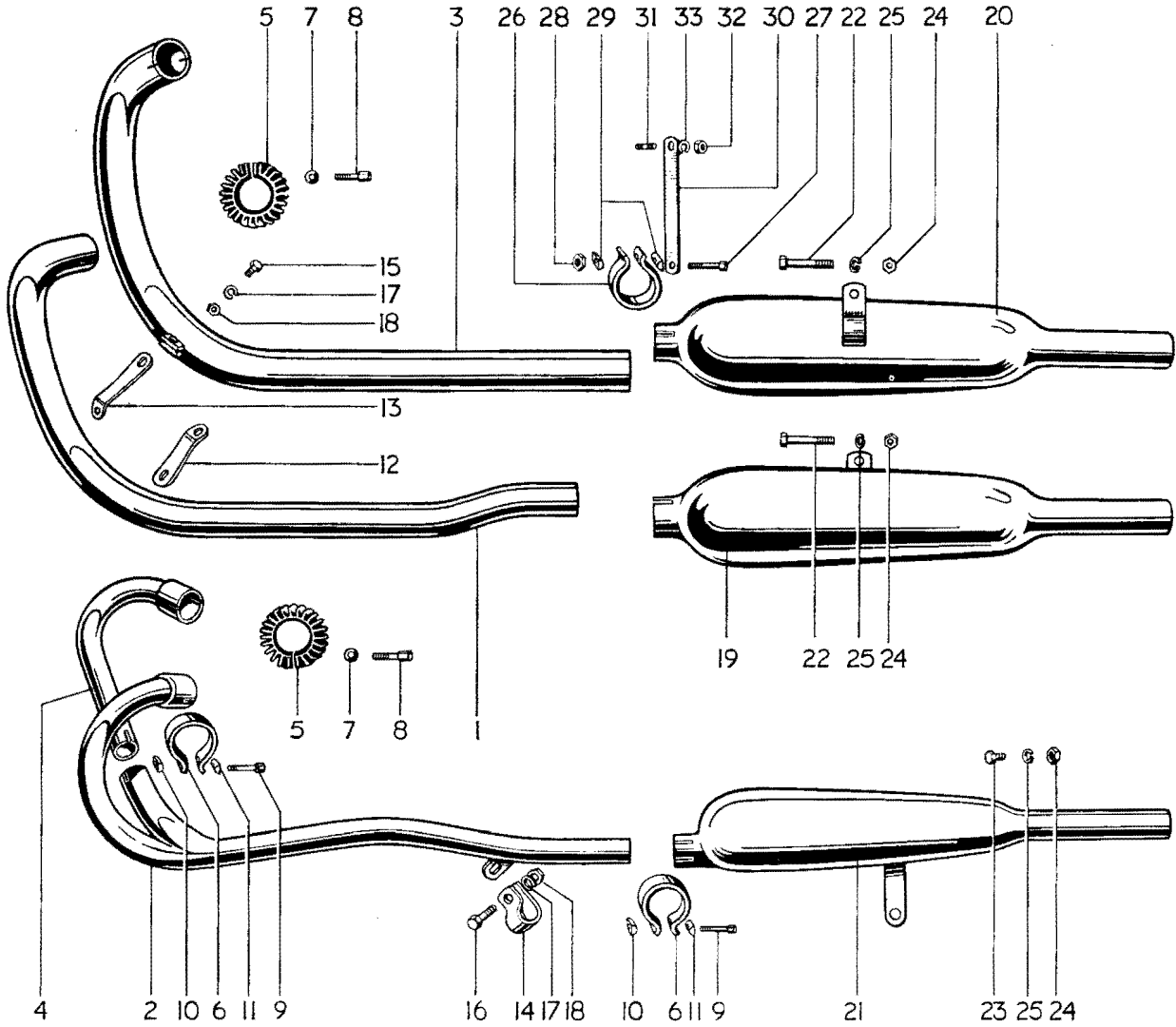


FIG. 12. EXHAUST PIPES AND SILENCERS

EXHAUST SYSTEM – GROUP 8

REF. No.	PART No.	DESCRIPTION	6T	T100	T110	TR6	T120
1	E3767	Clip, silencer to exhaust pipe	2	2	2	—	2
2	F3430	Bolt, silencer to exhaust pipe clip, $\frac{5}{8}$ " U/H	2	2	2	—	2
3	E3768	Washer, clip bolt nut (D shape)	4	4	4	—	4
4	E1310	Nut, clip bolt	2	2	2	—	2
5	F4141	Stay, clip bolt to frame	2	2	2	—	2
6	F3641	Stud, stay to frame, $\frac{1}{8}$ " O/A	1	1	1	—	1
7	S26-3	Washer, fixing stud	1	1	1	—	1
8	SI-51	Nut, stay stud	1	1	1	—	1

INDEX FIG. 12

Illust. No.	Part No.	Page No.	Ref. No.	Illust. No.	Part No.	Page No.	Ref. No.
1	E3426	45	1	15	DS57	45	19
	E3629	45	3	16	F1369	45	22
	E3628	45	5	17	S26-2	45	20
2	E3472	45	7	18	F879	45	21
3	E3350	45	2	19	E3651	45	24
	E3633	45	4	20	E3652	45	25
	E3632	45	6	21	E3470	45	26
4	E3473	45	8	22	DS55	45	27
5	E1269	45	9	23	F1213	45	28
	E1270	45	10	24	SI-51	45	29
6	E3469	45	13	25	S25-3	45	30
7	E410A	45	12	26	E3767	47	1
8	E409	45	11	27	F3430	47	2
9	TE164E	45	14	28	E3768	47	3
10	TE164C	45	15	29	E1310	47	4
11	TE164D	45	16	30	F4141	47	5
12	E2989	45	17	31	F3641	47	6
13	E2990	45	18	32	SI-51	47	8
14	F1699	45	23	33	S26-3	47	7

GROUP 9 - FRAME

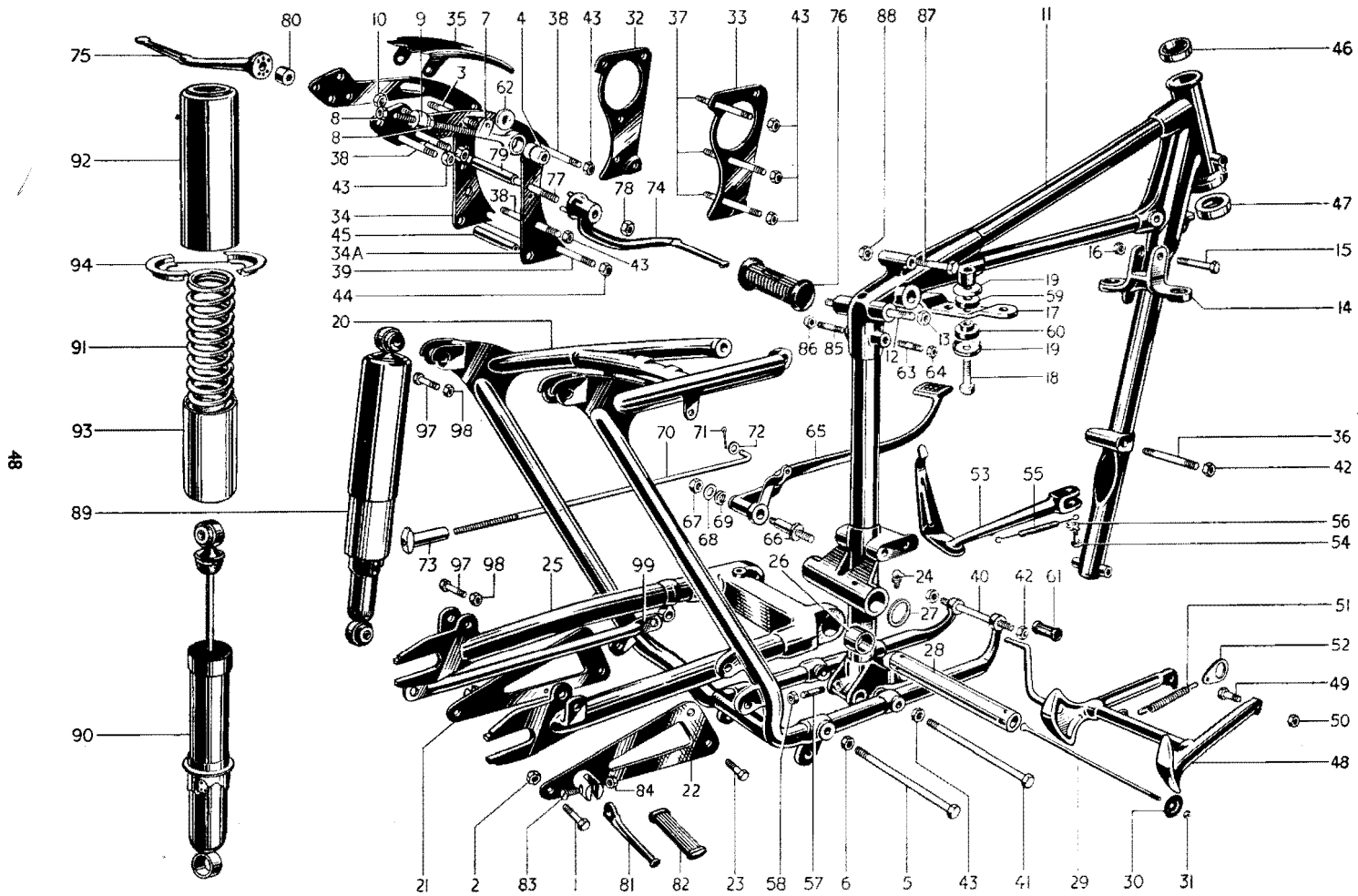


FIG. 13. FRAME

48

INDEX FIG. 13

Illust. No.	Part No.	Page No.	Ref. No.	Illust. No.	Part No.	Page No.	Ref. No.	Illust. No.	Part No.	Page No.	Ref. No.
1	DS55	45	27	33	F2647	52	3	65	F3595	83	1
2	S1-51	45	29		E2223	52	4	66	F867	83	2
3	F3769	37	1	34	F3760	52	5	67	S1-52	83	5
4	F3772	37	4	34A	F3541	52	6	68	S25-2	83	6
5	F3575	37	5	35	F3571	53	2	69	S26-16	83	7
6	DS47	37	6	36	F2414	53	3	70	F3597	83	8
7	F4422	37	8	37	F1711	53	4	71	Split pin	83	9
8	S1-51	37	10	38	F839	53	5	72	S25-13	83	10
9	F3767	37	11	39	F3665	53	6	73	F3667	83	12
10	PO172A	37	13	40	F1680	53	7	74	F3593	83	13
11	F4414	50	1	41	F3108	53	8	75	F987	83	14
12	F1561	50	21	42	DS47	53	9	76	NF704	83	15
13	PO172A	50	22	43	PO172A	53	10	77	F3592	83	16
14	F1841	50	6	44	S1-52	53	11	78	DS48	83	17
	F3900	50	7	45	F862	53	14	79	F862	83	19
15	F1451	50	8	46	H111	58	26	80	T87	83	20
16	S1-52	50	9	47	H111	58	26	81	F1694	83	21
17	F4273	50	10	48	F4304	51	19	82	F1695	83	22
18	F3816	50	14	49	F3619	51	20	83	F2271	83	23
19	F3814	50	11	50	F2725	51	22	84	S1-51	83	24
20	F3635	50	24	51	F3617	51	23	85	F3641	84	12
21	F3718	50	25	52	F3618	51	24	86	F1008	84	13
22	F3580	50	26	53	F3723	51	26	87	E2593	107	10
23	F2603	50	27	54	F3097	51	27		F3006	107	11
24	KW194	50	31	55	F1610	51	28	88	S1-51	107	13
25	F1431	51	1	56	F3096	51	29	89	See page 108		
26	F3690	51	2	57	F3641	47	6	90	See page 108		
27	F3574	51	3	58	S1-51	47	8	91	See page 108		
28	F3564	51	4	59	F967	50	12	92	9054 151	108	24
29	F3797	51	5	60	F3815	50	13	93	9054 47	108	25
30	F3798	51	6	61	T449	51	25	94	9054 171	108	23
31	F3799	51	7	62	F3770	37	2	97	E2113	108	31
32	F2646	52	1	63	F3641	74	14	98	PO172A	108	33
	E2222	52	2	64	F1008	74	15	99	F3774	51	8

GROUP 9 – FRAME

REF. No.	PART No.	DESCRIPTION	6T	T100	T110	TR6	T120
FRONT PORTION							
1	F4414	Frame, front portion	1	1	1	1	1
2	F3906	Bolt, steering stop $\frac{3}{16}$ " U/H	2	2	2	2	2
3	T224	Locknut, stop bolt	2	2	2	2	2
4	D402 3	Lock, steering head c/w keys	A	A	A	A	A
5	D403	Key, lock (state number)	A	A	A	A	A
6	F1841	Support, petrol tank front	1	1	1	—	1
7	F3900	Support, petrol tank front (Export Tigers only)	—	A	A	1	A
8	F1451	Bolt, petrol tank front support $2\frac{1}{16}$ " U/H	1	1	1	1	1
9	SI-52	Nut, petrol tank front support	1	1	1	1	1
10	F4273	Support, petrol tank rear	1	1	1	1	1
11	F3814	Cup, tank support rubbers	4	4	4	4	4
12	F967	Washer, rubber top	2	2	2	2	2
13	F3815	Washer, rubber spigotted lower	2	2	2	2	2
14	F3816	Bolt, tank support to frame $1\frac{3}{16}$ " U/H	2	2	2	2	2
15	E3308	Stay, engine to frame torque	2	2	2	2	2
16	F2603	Bolt torque stay to frame lug $\frac{1}{8}$ " U/H	1	1	1	1	1
17	SI-51	Nut, torque stay bolt	1	1	1	1	1
18	S26-3	Washer, torque stay bolt	1	1	1	1	1
19	SI-52	Nut, torque stay to engine bolt	2	2	2	2	2
20	S26-1	Washer, torque stay to engine bolt	2	2	2	2	2
21	F1561	Stud, seat lug to back stays $5\frac{5}{16}$ " O/A	1	1	1	1	1
22	PO172A	Nut, seat lug to back stays stud	2	2	2	2	2
23	S26-1	Washer, seat lug to back stays stud	2	2	2	2	2

SEE FRONT FORK GROUP FOR STEERING RACES PAGE 58

REAR PORTION

24	F3635	Frame, rear portion	1	1	1	1	1
25	F3718	Support bracket L.H. silencer	1	1	1	1	1
26	F3580	Support bracket R.H. silencer	1	1	1	1	1
27	F2603	Bolt, bracket to frame $\frac{1}{8}$ " U/H	1	1	1	1	1
28	E1396	Stud, bracket to frame $1\frac{1}{16}$ " O/A	2	2	2	2	2
29	SI-51	Nut, bracket to frame bolts and stud	3	3	3	3	3
30	S26-3	Washer, bracket to frame bolts and stud	3	3	3	3	3
31	KW194	Lubricator, swinging fork	1	1	1	1	1
32	WE170	Washer, lubricator	1	1	1	1	1

ALWAYS QUOTE COLOURS WHEN ORDERING FRAME PARTS.

ENGINE PLATE — GROUP 11 TELESCOPIC FRONT FORK — GROUP 12

REF. No.	PART No.	DESCRIPTION	6T	T100	T110	TR6	T120
1	E2275	Cover, engine plate front	1	1	1	1	1
2	F3571	Cover, engine plate rear	1	1	1	1	1
3	F2414	Stud, $\frac{7}{16}$ " \times 4 $\frac{1}{4}$ " C.E.I.	1	1	1	1	1
4	F1711	Stud, $\frac{3}{8}$ " \times 4 $\frac{7}{16}$ " C.E.I.	3	3	3	3	3
5	F839	Stud, $\frac{3}{8}$ " \times 4 $\frac{7}{16}$ " C.E.I.	4	4	4	4	4
6	F3665	Stud, $\frac{3}{8}$ " \times 4 $\frac{1}{4}$ " C.E.I.	1	1	1	1	1
7	F1680	Stud, $\frac{7}{16}$ " \times 4 $\frac{3}{8}$ " C.E.I.	1	1	1	1	1
8	F3108	Bolt, rear engine plate to frame, 7 $\frac{3}{8}$ " U/H	1	1	1	1	1
9	DS47	Nut, for F2414, F1680 Studs	4	4	4	4	4
10	PO172A	Nut, for F1023, F1711, F839 Studs and F3108 bolt	15	15	15	15	15
11	S1-52	Nut, for F3665 Stud	2	2	2	2	2
12	PCW73A	Washer, for F2414, F1680 Studs	4	4	4	4	4
13	S26-1	Washer, for F1711, F839 Studs and F3108 bolt	17	17	17	17	17
14	F862	Distance tube for F3108 bolt	1	1	1	1	1

FRONT FORK—GROUP 12

15	H1198	Fork assembly	1	1	1	—	1
16	H1200	Fork assembly	—	—	—	1	—
17	H663A	Lug, fork top	1	1	1	—	1
18	H380	Lug, fork top c/w clips	—	—	—	1	—
19	F1760	Bolt, fork top lug pinch, 1 $\frac{1}{8}$ " U/H	1	1	1	1	1
20	H379	Nut, fork pinch bolt	1	1	1	1	1
21	H660	"U" bolt, handlebar clamp	2	2	2	—	2
22	S25-3	Washer, handlebar clamp	4	4	4	—	4
23	E1310	Nut, handlebar clamp	4	4	4	—	4
24	H506	Cap, handlebar clamp	—	—	—	2	—
25	H436	Bolt, handlebar clamp cap, $\frac{7}{8}$ " U/H	—	—	—	4	—
26	H1229	Crown and stem fork	1	1	1	1	1
27	H405	Nut, crown and stem sleeve	1	1	1	1	1
28	H941	Bolt, crown and stem to stanchion, 2 $\frac{1}{4}$ " U/H	2	2	2	2	2
29	E2412	Nut, crown and stem to stanchion	2	2	2	2	2
30	S25-2	Washer, crown and stem to stanchion	2	2	2	2	2

GROUP 12 -- TELESCOPIC FRONT FORK

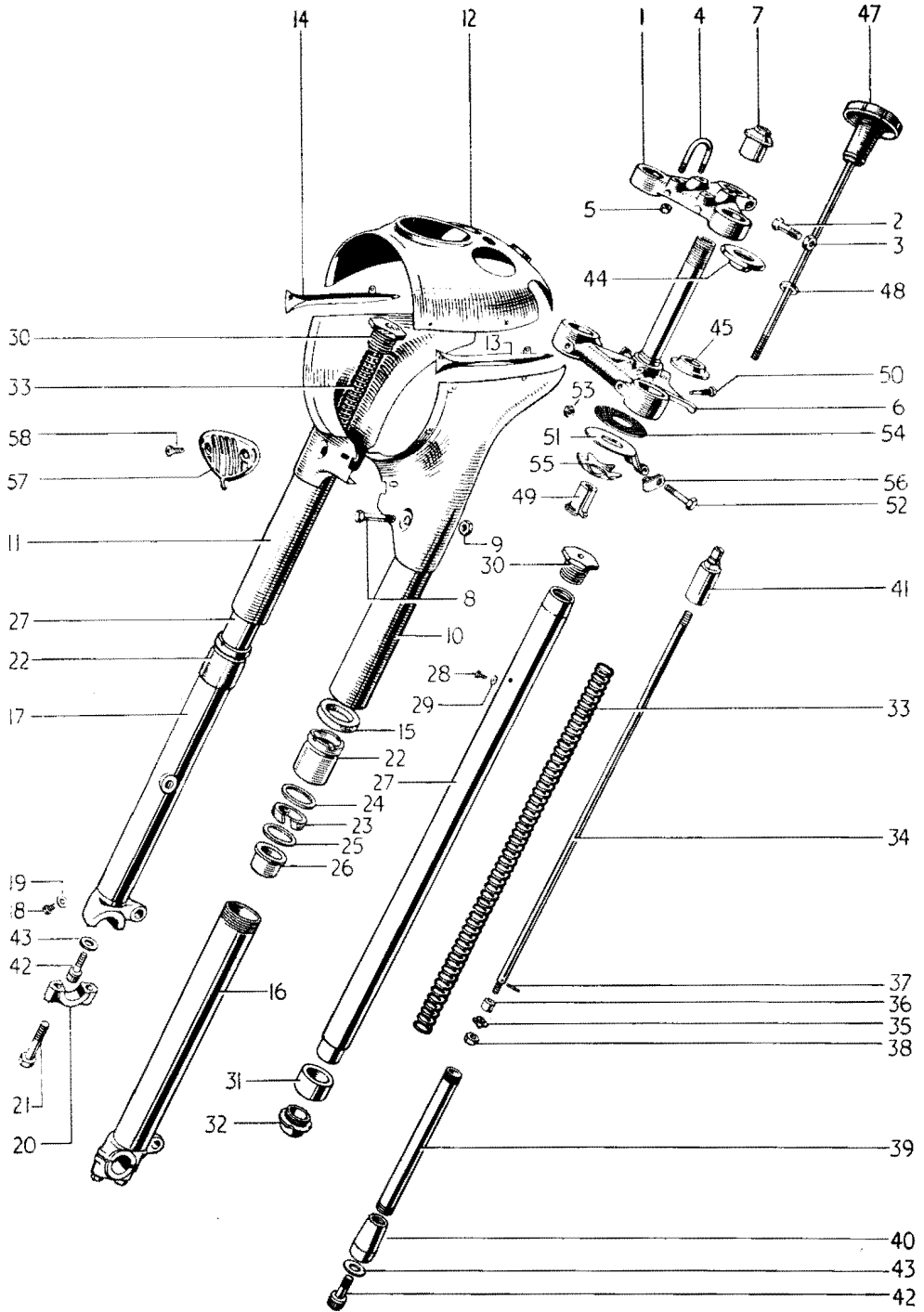


FIG. 15. TELESCOPIC FORK

TELESCOPIC FRONT FORK — GROUP 12

REF. No.	PART No.	DESCRIPTION	6T	T100	T110	TR6	T120
1	H799	Cover, nacelle, L.H.	1	1	1	—	1
2	H1205	Cover, nacelle, R.H.	1	1	1	—	1
3	H963	Cover, top c/w headlamp bracket, L.H.	—	—	—	1	—
4	H964	Cover, top c/w headlamp bracket, R.H.	—	—	—	1	—
5	H962	Gaiter, rubber, telescopic	—	—	—	2	—
6	D340	Clip, gaiter top	—	—	—	2	—
7	H1208	Top unit, nacelle	1	—	—	—	—
8	H1207	Top unit, nacelle	—	1	1	—	—
9	H1278	Top unit, nacelle	—	—	—	—	1
10	A46	Transfer, Thunderbird	1	—	—	—	—
11	A57	Transfer "Bonneville 120"	—	—	—	—	1
12	H669	Grommet, handlebar rubber	2	2	2	—	2
13	H961	Grommet, control cables	3	3	3	—	3
14	H689	Screw, top unit to nacelle cover, $\frac{1}{4}$ " U/H	2	2	2	—	2
15	H691	Nut, motif front	2	2	2	—	2
16	E2880	Washer, serrated	2	2	2	—	2
17	H623	Motif (flash), L.H.	1	1	1	—	1
18	H624	Motif (flash), R.H.	1	1	1	—	1
19	H688	Screw, motif front, $\frac{5}{16}$ " U/H	2	2	2	—	2
20	H691	Nut, motif front	2	2	2	—	2

INDEX FIG. 15

Illust. No.	Part No.	Page No.	Ref. No.	Illust. No.	Part No.	Page No.	Ref. No.
1	H663A	53	17	30	H432A	58	6
2	F1760	53	19	31	H443	58	8
3	H379	53	20	32	H444	58	9
4	H660	53	21	33	H384	58	10
5	E1310	53	23		H1095	58	11
6	H1229	53	26		H749	58	12
7	H405	53	27	34	H399A	58	15
8	H941	53	28	35	H452	58	17
9	E2412	53	29	36	H453	58	18
10	H799	55	1	37	H454	58	19
11	H1205	55	2	38	F879	58	20
12	H1207	55	8	39	H394	58	21
	H1208	55	7	40	H1096	58	22
13	H623	55	17	41	H397	58	23
14	H624	55	18	42	H1063	58	24
15	H420	57	3	43	H1062	58	25
16	H1201	57	4	44	H1018	58	27
17	H1202	57	5	45	H439	58	28
18	H1071	57	11	47	H536	58	30
19	H430	57	12	48	H565	58	31
20	H1053	57	8	49	H408	58	32
21	H1070	57	10	50	H409	58	33
22	H390	57	13	51	H413	58	34
23	H391	57	14	52	F1718	58	35
24	H445	57	15	53	S1-51	58	36
25	H431	57	16	54	H435	58	37
26	H441	58	1	55	H95	58	38
27	H382A	58	2	56	F3098	108	18
28	H519A	58	4	57	H992	57	17
29	H430	58	5	58	H993	57	18

GROUP 12 – TELESCOPIC FRONT FORK

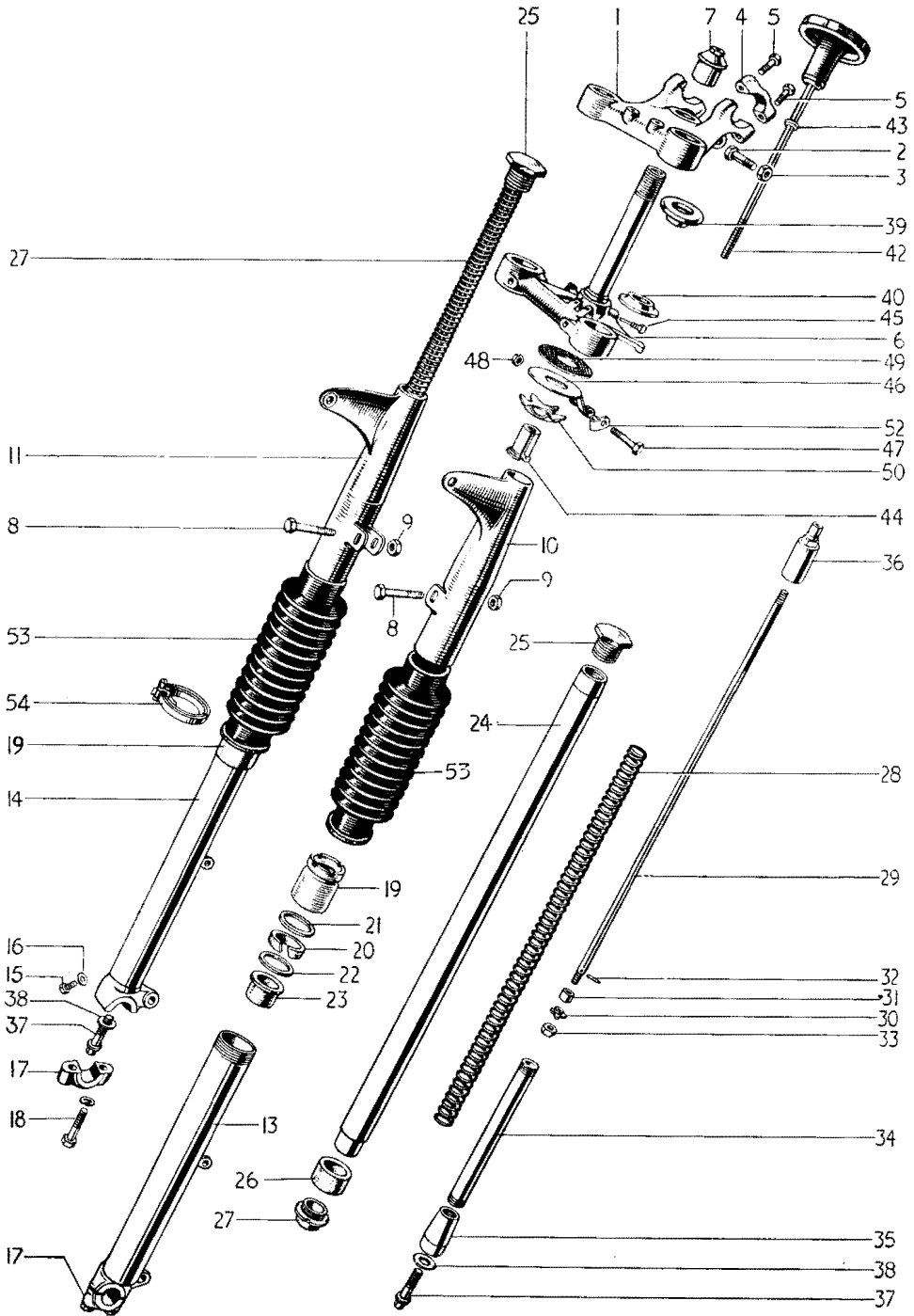


FIG. 16. TELESCOPIC FORK (TROPHY)

TELESCOPIC FRONT FORK — GROUP 12

REF. No.	PART No.	DESCRIPTION	6T	T100	T110	TR6	T120
1	E2880	Washer, motif front	2	2	2	—	2
2	H687	Screw, top unit to nacelle cover, $\frac{3}{8}$ " U/H	2	2	2	—	2
3	H420	Washer, cover tube (rubber)	2	2	2	—	2
4	H1201	Bottom member c/w spindle cap, L.H.	1	1	1	—	1
5	H1202	Bottom member c/w spindle cap, R.H.	1	1	1	—	1
6	H1203	Bottom member c/w spindle cap, L.H.	—	—	—	1	—
7	H1204	Bottom member c/w spindle cap, R.H.	—	—	—	1	—
8	H1053	Cap, spindle fixing	2	2	2	2	2
9	S26-3	Washer, spring	4	4	4	4	4
10	H1070	Bolt, spindle cap, $1\frac{7}{16}$ " U/H	4	4	4	4	4
11	H1071	Plug, drain	2	2	2	2	2
12	H430	Washer, drain plug	2	2	2	2	2
13	H390	Sleeve, cover tube dust excluder	2	2	2	2	2
14	H391	Washer, cover tube dust excluder felt	2	2	2	2	2
15	H445	Washer, inner, for H391	2	2	2	2	2
16	H431	Washer, outer for H391	2	2	2	2	2
17	H992	Horn grille (replaces Filot Lamp)	1	1	1	—	1
18	H993	Screw, grille fixing, 0-540" U/H	2	2	2	—	2
19	GS299	Washer, serrated	2	2	2	—	2
20	F3799	Nut, fixing screw	2	2	2	—	2

INDEX FIG. 16

Illust. No.	Part No.	Page No.	Ref. No.	Illust. No.	Part No.	Page No.	Ref. No.
1	H380	53	18	27	H444	58	9
2	F1760	53	19	28	H384	58	10
3	H379	53	20	29	H399	58	16
4	H506	53	24	30	H452	58	17
5	H436	53	25	31	H453	58	18
6	H1229	53	26	32	H454	58	19
7	H405	53	27	33	F879	58	20
8	H941	53	28	34	H394	58	21
9	E2412	53	29	35	H1096	58	22
10	H963	55	3	36	H397	58	23
11	H964	55	4	37	H1063	58	24
13	H1203	57	6	38	H1062	58	25
14	H1204	57	7	39	H1018	58	27
15	H1071	57	11	40	H439	58	28
16	H430	57	12	42	H536	58	30
17	H1053	57	8	43	H565	58	31
18	H1070	57	10	44	H408	58	32
19	H390	57	13	45	H409	58	33
20	H391	57	14	46	H413	58	34
21	H445	57	15	47	F1718	58	35
22	H431	57	16	48	S1-51	58	36
23	H441	58	1	49	H435	58	37
24	H382	58	3	50	H95	58	38
25	H432	58	7	52	F3098	108	18
26	H443	58	8	53	H962	55	5
				54	D340	55	6

GROUP 12 — TELESCOPIC FRONT FORK

REF. No.	PART No.	DESCRIPTION	6T	T100	T110	TR6	T120
1	H441	Bearing, bottom cover tube	2	2	2	2	2
2	H382A	Stanchion	2	2	2	—	2
3	H382	Stanchion	—	—	—	2	—
4	H519A	Plug, stanchion oil filler, $\frac{3}{16}$ " U/H	2	2	2	—	2
5	H430	Washer, stanchion oil filler	2	2	2	—	2
6	H432A	Nut, stanchion to top lug	2	2	2	—	2
7	H432	Nut, stanchion to top lug	—	—	—	2	—
8	H443	Bearing, stanchion lower	2	2	2	2	2
9	H444	Nut, stanchion hydraulic stop	2	2	2	2	2
10	H384	Spring, main (RED)	2	2	2	2	2
11	H1095	Spring, main (BLUE) sidecar	A	A	A	A	A
12	H749	Spring, main (PURPLE) extra heavy sidecar	A	A	A	A	A
13	H1106	Pressure tube assembly	2	2	2	2	2
14	H1107	Pressure tube assembly	—	—	—	2	—
15	H399A	Rod, oil pressure	2	2	2	2	2
16	H399	Rod, oil pressure	—	—	—	2	—
17	H452	Restrictor, oil	2	2	2	2	2
18	H453	Cup, oil restrictor rod	2	2	2	2	2
19	H454	Pin, oil restrictor rod cup	2	2	2	2	2
20	F879	Nut, oil restrictor rod	2	2	2	2	2
21	H394	Tube pressure	2	2	2	2	2
22	H1096	Body, pressure tube valve	2	2	2	2	2
23	H397	Sleeve, pressure tube support	2	2	2	2	2
24	H1063	Bolt, valve body to lug, $\frac{3}{32}$ " U/H	2	2	2	2	2
25	H1062	Washer, valve body bolt (aluminium)	2	2	2	2	2

STEERING CUPS, CONES AND BALLS

26	H111	Cup, frame lug, top and bottom	2	2	2	2	2
27	H1018	Cone, head lug, top, c/w dust cover	1	1	1	1	1
28	H439	Cone, crown and stem, bottom	1	1	1	1	1
29	S70-3	Ball, top and bottom race, $\frac{1}{4}$ "	40	40	40	40	40

STEERING DAMPER

30	H536	Knob, c/w rod	1	1	1	1	1
31	H565	Washer, damper knob abutment	1	1	1	1	1
32	H408	Sleeve, damper adjusting	1	1	1	1	1
33	H409	Pin, sleeve securing	1	1	1	1	1
34	H413	Plate, damper anchor	1	1	1	1	1
35	F1718	Bolt, damper anchor plate, $1\frac{1}{8}$ " U/H	1	1	1	1	1
36	S1-51	Nut, damper anchor plate	1	1	1	1	1
37	H435	Disc, damper anchor plate friction	1	1	1	1	1
38	H95	Spring, damper anchor plate	1	1	1	1	1

FRONT WHEEL — GROUP 13

REF. No. PART No. DESCRIPTION 6T T100 T110 TR6 T120

FRONT WHEEL—GROUP 13

1	WI333	Wheel, front, complete	1	—	—	—	—	
2	WI323	Wheel, front, complete	—	1	1	1	1	
3	WI229	Rim, spokes and hub, assembly	1	—	—	—	—	
4	WI324	Rim, spokes and hub, assembly	—	1	1	1	1	
5	WI230	Rim, front wheel, WM2-19	1	1	1	1	1	
6	*WI236	Spoke, straight, 8/10G × 6"	40	—	—	—	—	
7	*WI328	Spoke, straight, 8/10G × 5 $\frac{1}{2}$ "	—	40	40	40	40	
8	S79-2	Nipple, spoke	40	40	40	40	40	
9	WI231	Hub and brake drum	1	—	—	—	—	
10	WI325	Hub and brake drum	—	1	1	1	1	
11	WI239	Spindle, front wheel	1	1	1	1	1	
12	W653	Bearing, front wheel	2	2	2	2	2	
13	WI237	Dust cover, L.H. bearing	1	1	1	1	1	
14	T280	Circlip, L.H. bearing	1	1	1	1	1	
15	WI238	Backing ring, R.H. bearing	1	1	1	1	1	
16	W582	Retaining ring, R.H. bearing	1	1	1	1	1	
17	WI334	Cover plate, L.H. hub	1	—	—	—	—	
18	WI332	Cover plate, L.H. hub	—	1	1	1	1	
19	WI197	Weight, wheel balance, $\frac{1}{2}$ oz.	}	As required.				
20	WI198	Weight, wheel balance, 1 oz.						

*Supplied complete with Nipple S79-2.

FRONT BRAKE

21	WI301	Plate, front brake anchor	1	—	—	—	—
22	WI330	Plate, front brake anchor	—	1	1	1	1
23	WI302	Pin, shoe fulcrum	1	1	1	1	1
24	S25-2	Washer, fulcrum pin nut	1	1	1	1	1
25	E1435	Domed nut, fulcrum pin	1	1	1	1	1
26	W93	Shoe, brake c/w lining	2	—	—	—	—
27	WI337	Shoe, brake c/w lining, leading	—	1	1	1	1
28	WI338	Shoe, brake c/w lining, trailing	—	1	1	1	1
29	NW243	Lining, brake shoe	2	—	—	—	—
30	WI336	Lining, brake shoe	—	2	2	2	2
31	WI129	Rivet, brake shoe lining	16	16	16	16	16
32	WI135	Spring, brake shoe return	2	2	2	2	2
33	WI243	Cam, brake operating	1	1	1	1	1
34	WI298	Lever, brake cam	1	—	—	—	—
35	WI331	Lever, brake cam	—	1	1	1	1
36	SI-52	Nut, brake cam lever	1	1	1	1	1
37	S25-6	Washer, brake cam lever	1	1	1	1	1
38	W592	Spring, brake cam lever return	1	1	1	1	1
39	WF32	Pin, brake cam lever pivot	1	1	1	1	1
40		$\frac{1}{16}$ " × $\frac{1}{2}$ " Split pin, pivot pin	1	1	1	1	1
41	WI246	Nut, anchor plate to spindle	1	1	1	1	1

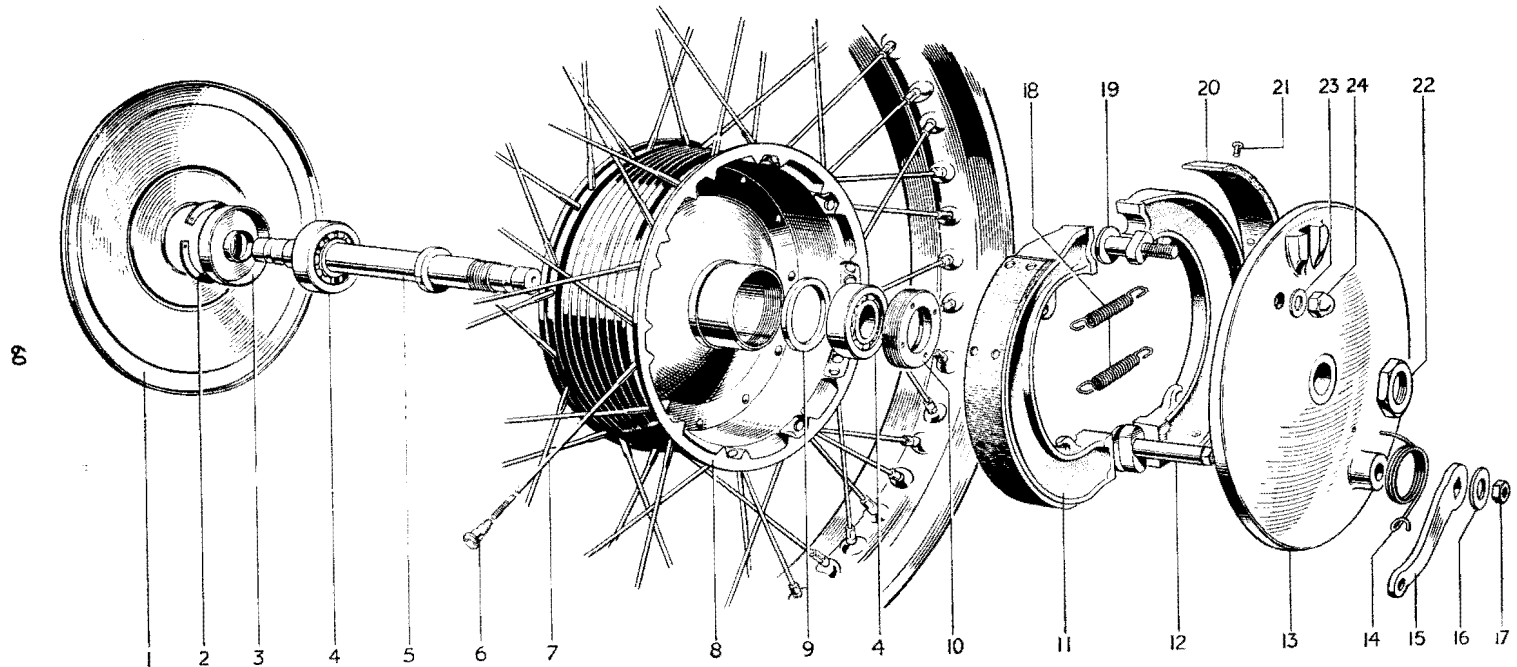


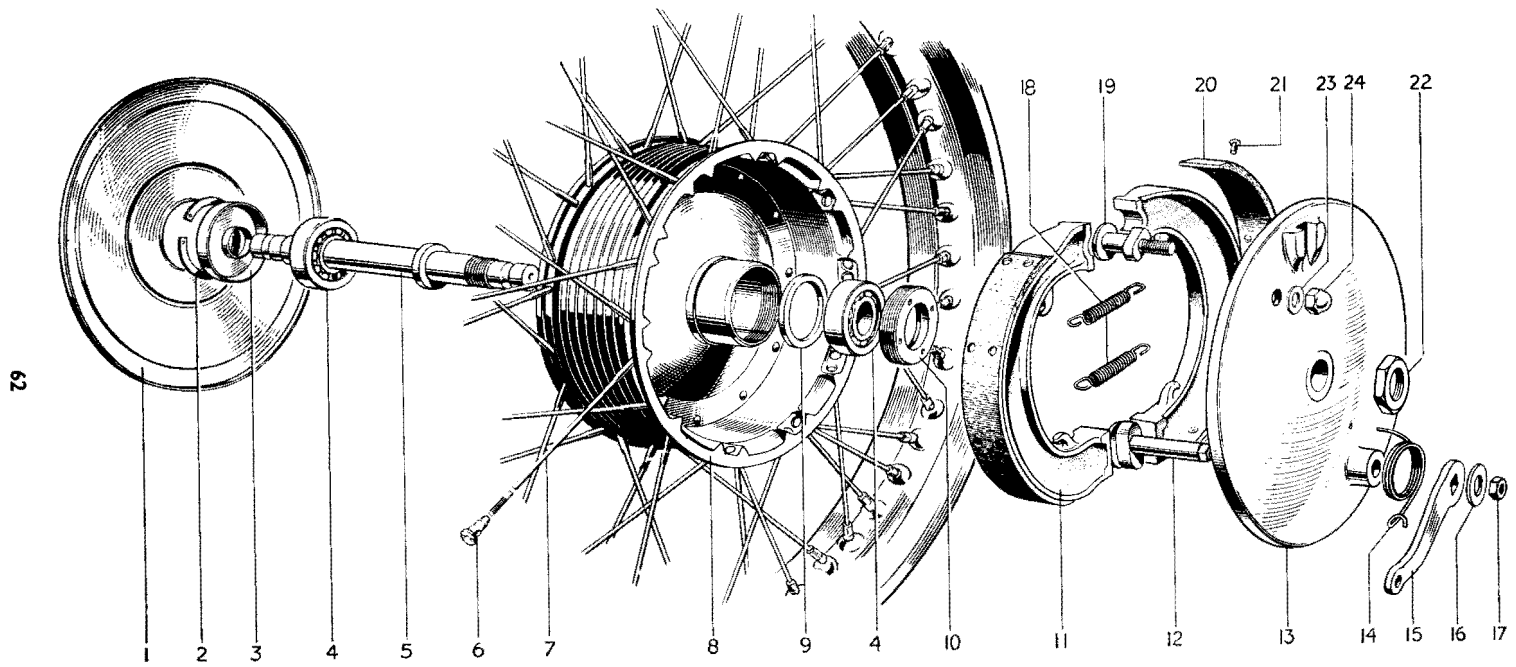
FIG. 17. FRONT WHEEL for THUNDERBIRD (6T)

50

FRONT WHEEL – GROUP 13

INDEX FIG. 17

<i>Illust. No.</i>	<i>Part No.</i>	<i>Page No.</i>	<i>Ref. No.</i>
1	W1334	59	17
2	T280	59	14
3	W1237	59	13
4	W653	59	12
5	W1239	59	11
6	S79-2	59	8
7	W1236	59	6
8	W1231	59	9
9	W1238	59	15
10	W582	59	16
11	W93	59	26
12	W1243	59	33
13	W1301	59	21
14	W592	59	38
15	W1298	59	34
16	S25-6	59	37
17	S1-52	59	36
18	W135	59	32
19	W1302	59	23
20	NW243	59	29
21	W129	59	31
22	W1246	59	41
23	S25-2	59	24
24	E1435	59	25



62

FIG. 18. FRONT WHEEL—TIGER 100, TIGER 110, TROPHY AND BONNEVILLE 120

FRONT WHEEL – GROUP 13

INDEX FIG. 18

<i>Illust. No.</i>	<i>Part No.</i>	<i>Page No.</i>	<i>Ref. No.</i>
1	W1332	59	18
2	T280	59	14
3	W1237	59	13
4	W653	59	12
5	W1239	59	11
6	S79-2	59	8
7	W1328	59	7
8	W1325	59	10
9	W1238	59	15
10	W582	59	16
11	W1337	59	27
	W1338	59	28
12	W1243	59	33
13	W1330	59	22
14	W592	59	38
15	W1331	59	35
16	S25-6	59	37
17	S1-52	59	36
18	W135	59	32
19	W1302	59	23
20	W1336	59	29
21	W129	59	31
22	W1246	59	41
23	S25-2	59	24
24	E1435	59	25

GROUP 14 — REAR WHEEL

REF. No.	PART No.	DESCRIPTION	6T	T100	T110	TR6	T120
REAR WHEEL—GROUP 14							
1	W1305	Wheel, rear, complete	1	1	1	—	1
2	W1307	Wheel, rear, complete	—	—	—	1	—
3	W1306	Rim, spokes and hub assembly	1	1	1	—	1
4	W1308	Rim, spokes and hub assembly	—	—	—	1	—
5	W79A	Rim, rear wheel WM.2-19	1	1	1	—	1
6	W1007	Rim, rear wheel WM.3-18	—	—	—	1	—
7	*W1104	Spoke, L.H. 8, 10G × 8" 90°	20	20	20	—	20
8	*W1106	Spoke, R.H. 8, 10G × 8 ³ / ₈ " 90°	20	20	20	—	20
9	*W1107	Spoke, L.H. 8, 10G × 7 ¹ / ₈ " 90°	—	—	—	20	—
10	*W1108	Spoke, R.H. 8, 10G × 7 ¹ / ₈ " 90°	—	—	—	20	—
11	S79-2	Nipple, spoke	40	40	40	40	40
12	W1158	Hub	1	1	1	1	1
13	W951	Sprocket and drum (46T)	1	1	1	1	1
14	W62	Bolt, sprocket and drum to hub, ¹ / ₁₆ " U.H.	8	8	8	8	8
15	SI-51	Nut, sprocket and drum to hub	8	8	8	8	8
16	W63	Lockplate, sprocket and drum nut	8	8	8	8	8
17	W1025	Spindle, rear wheel	1	1	1	1	1
18	F1747	Nut, rear wheel spindle	2	2	2	2	2
19	W653	Bearing, rear wheel ball	2	2	2	2	2
20	W1022	Ring, bearing backing, L.H.	1	1	1	1	1
21	W1023	Distance, tube, bearing	1	1	1	1	1
22	W1021	Retaining ring, bearing	1	1	1	1	1
23	W1079	Locking screw, bearing retaining ring, ³ / ₁₆ " U.H.	1	1	1	1	1
24	W1024	Distance piece, L.H. bearing	1	1	1	1	1
25	W583	Cap, bearing dust, R.H.	1	1	1	1	1
26	W1026	Nut, bearing retaining, R.H.	1	1	1	1	1
27	W1134	Chain adjuster, rear wheel	2	2	2	2	2
28	W1015	End plate, adjuster	2	2	2	2	2
29	W1058	Nut, adjuster end plate	2	2	2	2	2
30	D106	Bolt, tyre security	1	1	1	—	1
31	WM3	Bolt, tyre security	—	—	—	2	—

*Supplied complete with nipple.

REAR WHEEL BRAKE

32	W1112	Plate, rear brake anchor	1	1	1	1	1
33	F1747	Locknut, rear brake anchor plate	1	1	1	1	1
34	W93	Shoe assembly, rear with lining	2	2	2	2	2
35	NW243	Lining, rear brake shoe	2	2	2	2	2
36	W129	Rivet, brake shoe lining	16	16	16	16	16
37	W135	Spring, brake shoe return	2	2	2	2	2
38	W1083	Cam assembly rear brake	1	1	1	1	1
39	W1085	Lever, rear brake cam	1	1	1	1	1
40	SI-52	Nut, rear brake cam lever	1	1	1	1	1
41	W1090	Spring, rear brake cam lever return	1	1	1	1	1
42	DS47	Nut, torque stay securing	1	1	1	1	1
43	PCW73A	Washer, torque stay nut	1	1	1	1	1

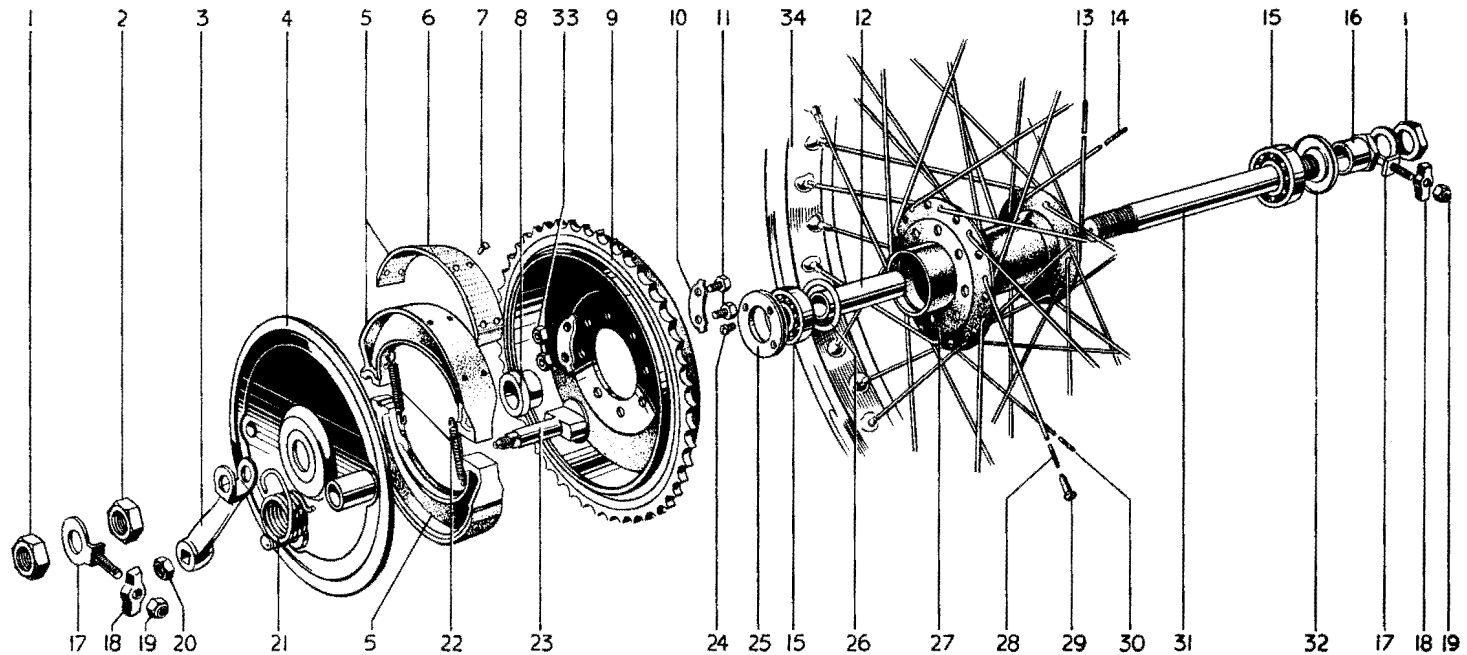
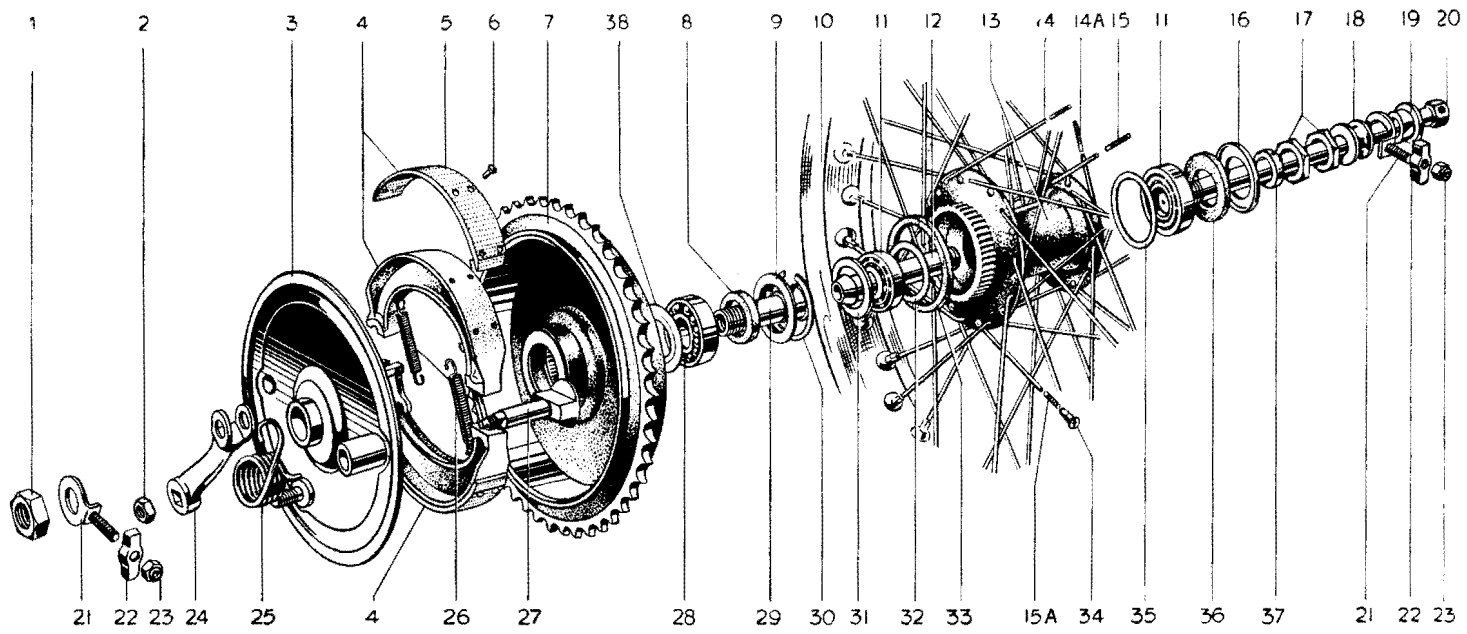


FIG. 19. REAR WHEEL

INDEX FIG. 19

Illust. No.	Part No.	Page No.	Ref. No.	Illust. No.	Part No.	Page No.	Ref. No.	Illust. No.	Part No.	Page No.	Ref. No.
1	F1747	64	18	13	W1108	64	10	25	W1021	64	22
2	F1747	64	33	14	W1106	64	8	26	W1022	64	20
3	W1085	64	39		W1108	64	10	27	W1158	64	12
4	W1112	64	32	15	W653	64	19	28	W1104	64	7
5	W93	64	34	16	W1026	64	26		W1107	64	9
6	NW243	64	35	17	W1134	64	27	29	S79-2	64	11
7	W129	64	36	18	W1015	64	28	30	W1104	64	7
8	W1024	64	24	19	W1058	64	29		W1107	64	9
9	W951	64	13	20	SI-52	64	40	31	W1025	64	17
10	W63	64	16	21	W1090	64	41	32	W583	64	25
11	W62	64	14	22	W135	64	37	33	SI-51	64	15
12	W1023	64	21	23	W1083	64	38	34	W79A	64	5
13	W1106	64	8	24	W1079	64	23		W1007	64	6



66

FIG. 20. REAR WHEEL (QUICKLY DETACHABLE)

INDEX FIG. 20

Illust. No.	Part No.	Page No.	Ref. No.	Illust. No.	Part No.	Page No.	Ref. No.	Illust. No.	Part No.	Page No.	Ref. No.
1	W1052	67	32					24	W1085	67	42
2	S1-52	67	41	14A	W1107	67	9	25	W1090	67	40
3	W1121	67	38		W1106	67	8	26	W135	67	46
4	W93	67	43	15	W1108	67	10	27	W1083	67	39
5	NW243	67	44		W1106	67	8	28	W1041	67	24
6	W129	67	45	15A	W1108	67	10	29	W1045	67	28
7	W1040	67	22		W1104	67	7	30	W1044	67	27
8	W1042	67	25	16	W1107	67	9	31	W1035	67	15
9	W1043	67	26	17	W1038	67	18	32	W1033	67	13
10	W79A	67	5	18	E398	67	20	33	W1091	67	21
	W1007	67	6	19	W1053	67	33	34	S79-2	67	11
11	W1034	67	14	20	W1170	67	34	35	W1033	67	13
12	W1039	67	19	21	W1055	67	35	36	W1036	67	16
13	W1100	67	12	22	W1135	67	29	37	W1037	67	17
14	W1104	67	7	23	W1015	67	30	38	W1037	67	17
					W1058	67	31		W1143	67	23

REAR WHEEL (QUICKLY DETACHABLE) – GROUP 15

REF. No. PART No.
DESCRIPTION
6T T100 T110 TR6 T120

REAR WHEEL (QUICKLY DETACHABLE)—GROUP 15

1	W1309	Wheel, Q.D. rear complete	1	1	1	—	1
2	W1310	Wheel, Q.D. rear complete	—	—	—	1	—
3	W1098	Wheel, less internals and brake fittings	1	1	1	—	1
4	W1099	Wheel, less internals and brake fittings	—	—	—	1	—
5	W79A	Rim, WM2-19	1	1	1	—	1
6	W1007	Rim, WM3-18	—	—	—	1	—
7	*W1104	Spoke, L.H. 8/10G × 8" 90°	20	20	20	—	20
8	*W1106	Spoke, R.H. 8/10G × 8 ³ / ₁₆ " 90°	20	20	20	—	20
9	*W1107	Spoke, L.H. 8/10G × 7 ⁹ / ₁₆ " 90°	—	—	—	20	—
10	*W1108	Spoke, R.H. 8/10G × 7 ⁷ / ₁₆ " 90°	—	—	—	20	—
11	S79-2	Nipple, spoke	40	40	40	40	40
12	W1100	Hub	1	1	1	1	1
13	W1033	Backing ring, bearing	2	2	2	2	2
14	W1034	Bearing, taper roller	2	2	2	2	2
15	W1035	Dust cap, L.H. bearing	1	1	1	1	1
16	W1036	Felt washer, R.H. bearing	1	1	1	1	1
17	W1037	Distance piece, R.H. bearing	1	1	1	1	1
18	W1038	Dust cap, R.H. bearing	1	1	1	1	1
19	W1039	Sleeve, bearing and spindle	1	1	1	1	1
20	E398	Locknut, bearing and spindle sleeve	2	2	2	2	2
21	W1091	Sealing ring, driving flange and brake drum	1	1	1	1	1
22	W1040	Brake drum and sprocket 46T	1	1	1	1	1
23	W1143	Grease retainer, brake drum bearing	1	1	1	1	1
24	W1041	Bearing, brake drum	1	1	1	1	1
25	W1042	Felt washer, brake drum bearing	1	1	1	1	1
26	W1043	Retainer, brake drum bearing	1	1	1	1	1
27	W1044	Circlip, brake drum bearing retainer	1	1	1	1	1
28	W1045	Sleeve, brake drum bearing	1	1	1	1	1
29	W1135	Adjuster, rear wheel chain	2	2	2	2	2
30	W1015	End plate, rear wheel adjuster	2	2	2	2	2
31	W1058	Nut, rear wheel adjuster	2	2	2	2	2
32	W1052	Nut, bearing sleeve, L.H.	1	1	1	1	1
33	W1053	Distance collar, spindle	1	1	1	1	1
34	W1170	Collar, spindle	1	1	1	1	1
35	W1055	Spindle	1	1	1	1	1
36	WM2	Bolt, tyre security	1	1	1	—	1
37	WM3	Bolt, tyre security	—	—	—	2	—

REAR WHEEL BRAKE

38	W1121	Plate, brake anchor	1	1	1	1	1
39	W1083	Cam, brake	1	1	1	1	1
40	W1090	Return spring, brake lever	1	1	1	1	1
41	SI-52	Nut, brake lever	1	1	1	1	1
42	W1085	Lever, brake	1	1	1	1	1
43	W93	Shoe, rear brake c/w lining	2	2	2	2	2
44	NW243	Lining, rear brake shoe	2	2	2	2	2
45	W129	Rivet, rear brake shoe	16	16	16	16	16
46	W135	Spring, rear brake shoe	2	2	2	2	2
47	DS47	Nut, torque stay securing	1	1	1	1	1
48	PCW73A	Washer, torque stay nut	1	1	1	1	1

*Supplied complete with nipple.

MUDGUARD - GROUP 16

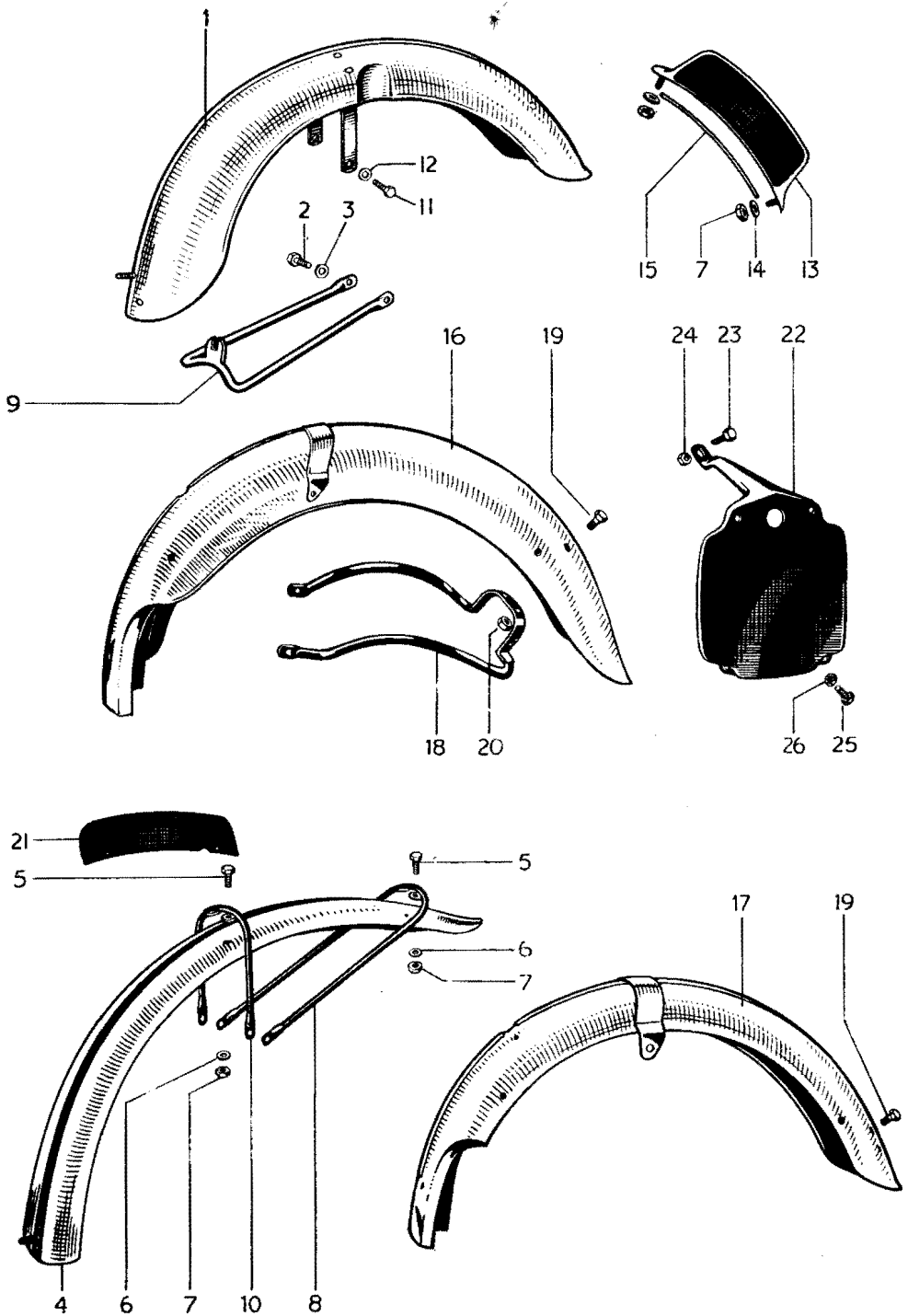


FIG. 21. FRONT AND REAR MUDGUARDS

GROUP 18 - PETROL AND OIL TANK

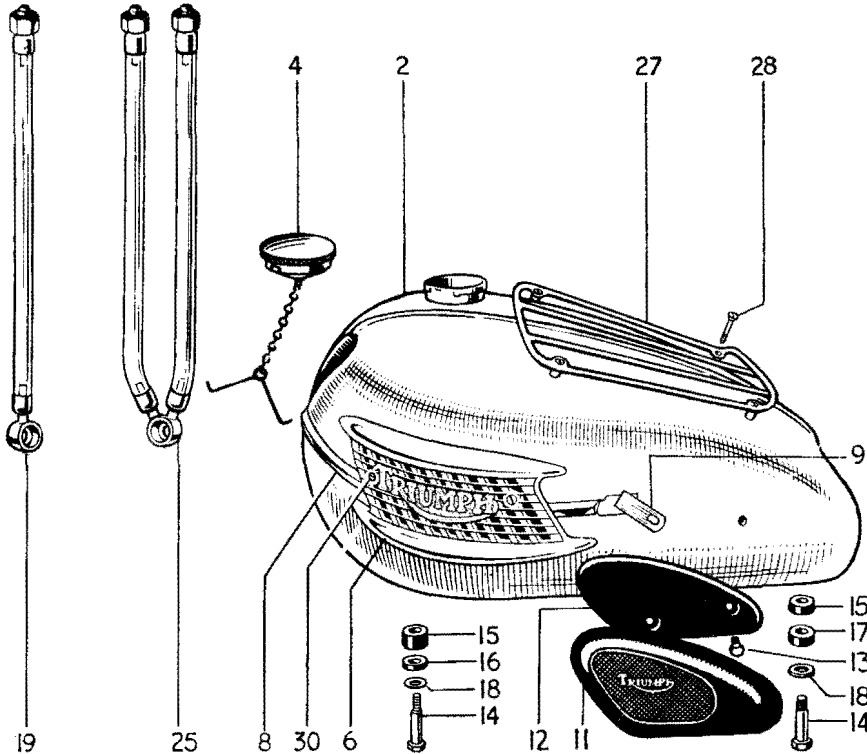
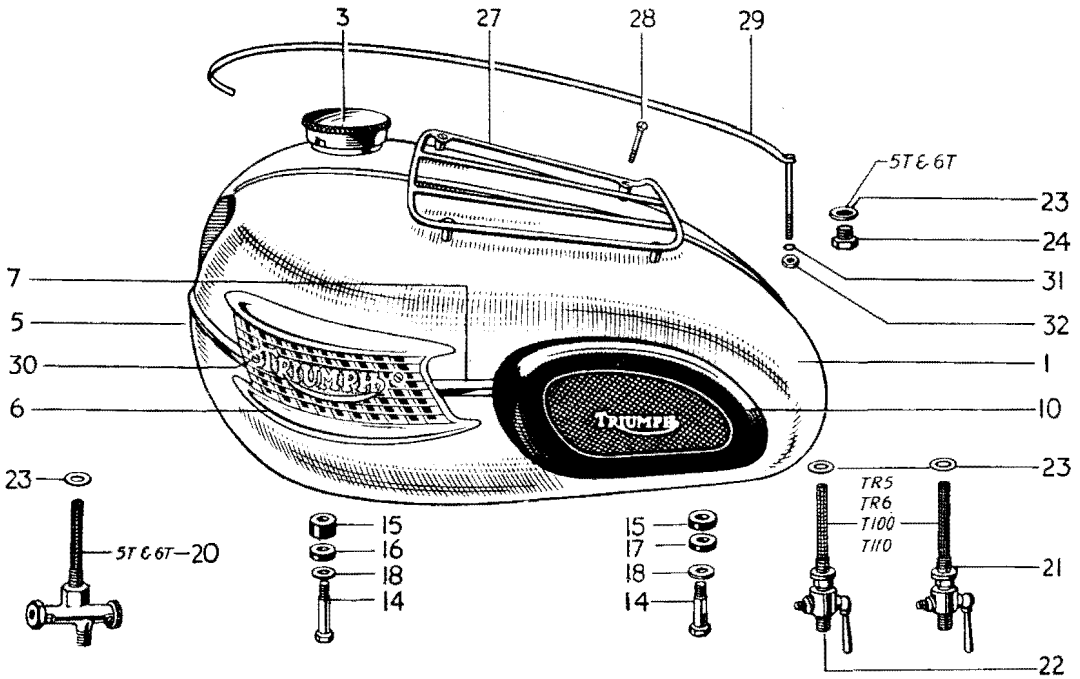


FIG. 22. PETROL TANKS AND FITTINGS

INDEX FIG. 22

<i>Illust. No.</i>	<i>Part No.</i>	<i>Page No.</i>	<i>Ref. No.</i>	<i>Illust. No.</i>	<i>Part No.</i>	<i>Page No.</i>	<i>Ref. No.</i>
1	F4115	71	1	17	F3815	71	32
2	F4116	71	2	18	S25-27	71	33
3	F3220	71	14	19	F4448	71	39
4	F3219	71	15	20	F1717	71	34
5	F4148	71	3	21	F3116	71	36
6	F4127	71	11	22	F3057	71	35
7	F4146	71	5	23	F1511	71	37
8	F4235	71	7	24	F3329	71	38
9	F4236	71	9	25	F4450	71	40
10	F2551	71	20	27	F3917	74	1
11	F1606	71	22	28	F2936	74	2
12	F3915	71	24	29	F3967	71	17
13	T361	71	27	30	F4129	71	13
14	F1808	71	29	31	F4019	71	18
15	F1813	71	30	32	H919	71	19
16	F967	71	31				

PETROL AND OIL TANK – GROUP 18

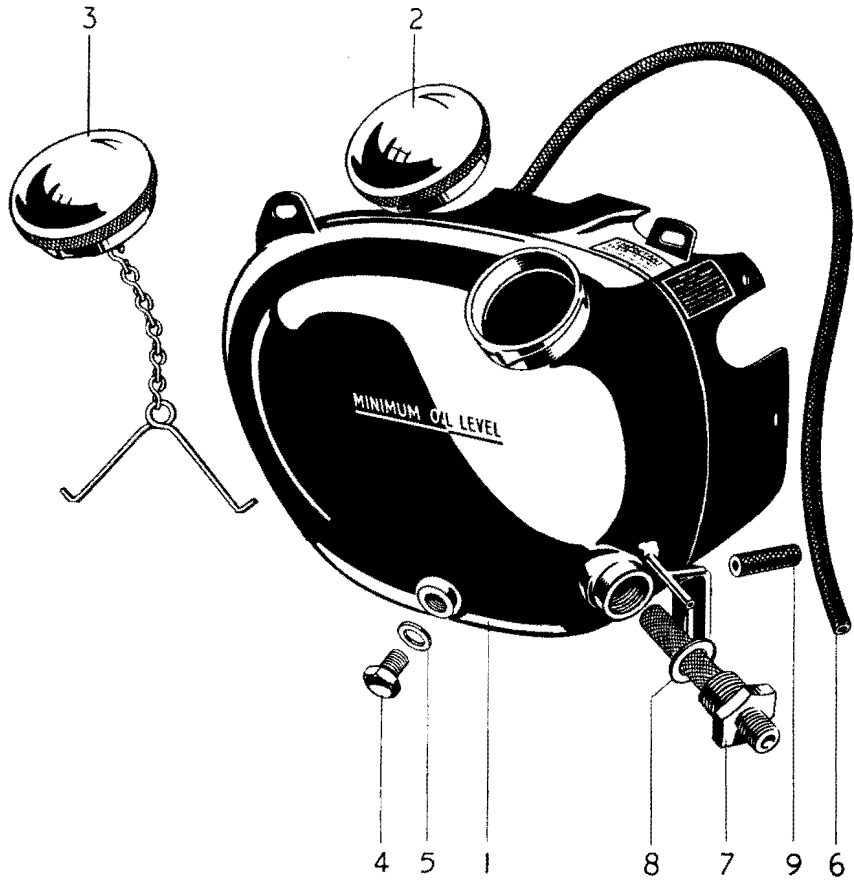


FIG. 23. OIL TANK

INDEX FIG. 23

Illust. No.	Part No.	Page No.	Ref. No.	Illust. No.	Part No.	Page No.	Ref. No.
1	F3856	74	4	5	PT1048B	74	11
	F4513	74	5	6	T1203	74	12
	F4529	74	6	7	T1578	74	13
				8	F3179	74	20
2	F3658	74	7	8	F1713	74	21
3	F3796	74	8	9	E3383	35	9
4	E1792	74	10				

PRIMARY CHAINCASE – GROUP 20

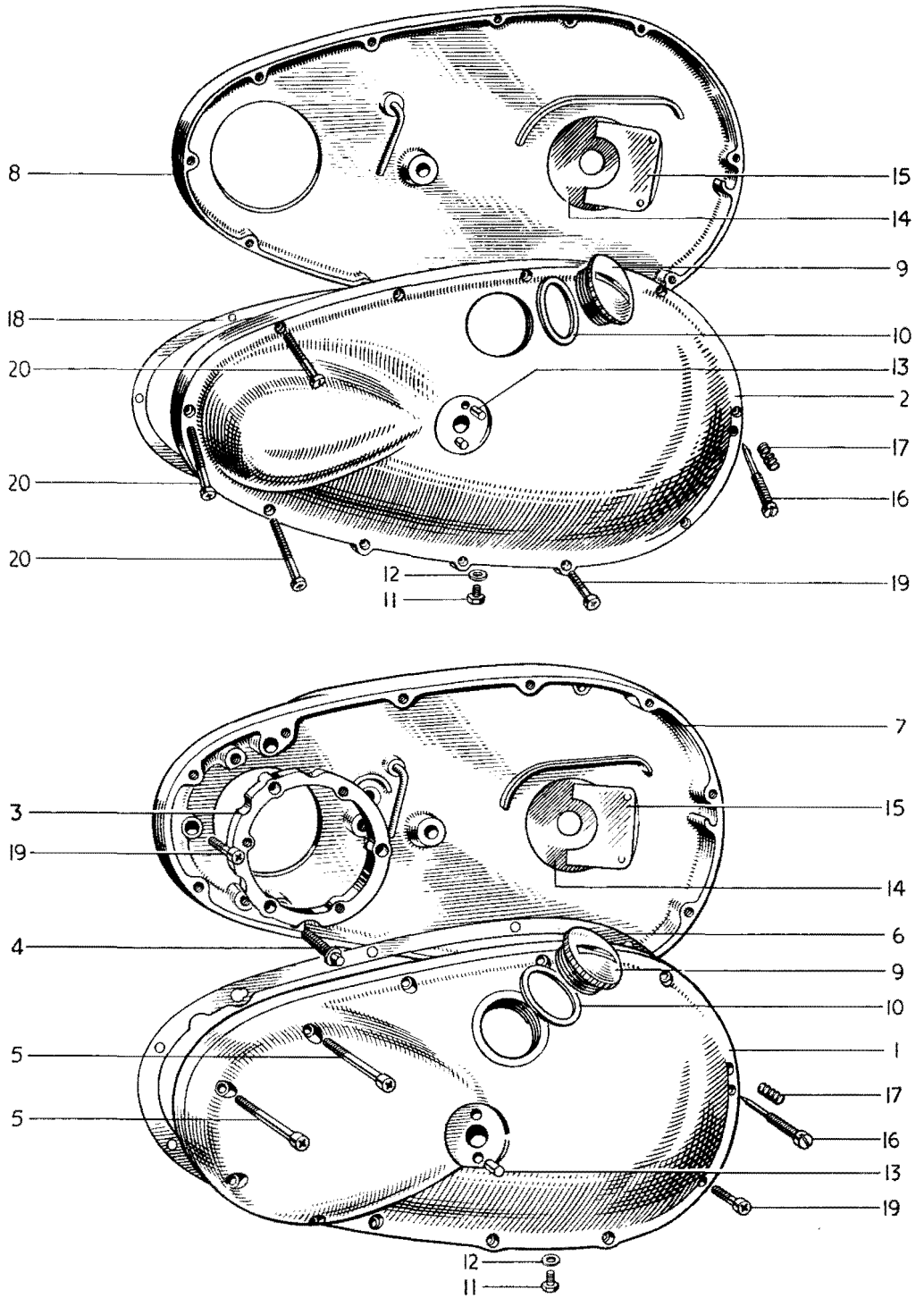


FIG. 24. PRIMARY CHAINCASE

HANDLEBAR - GROUP 21

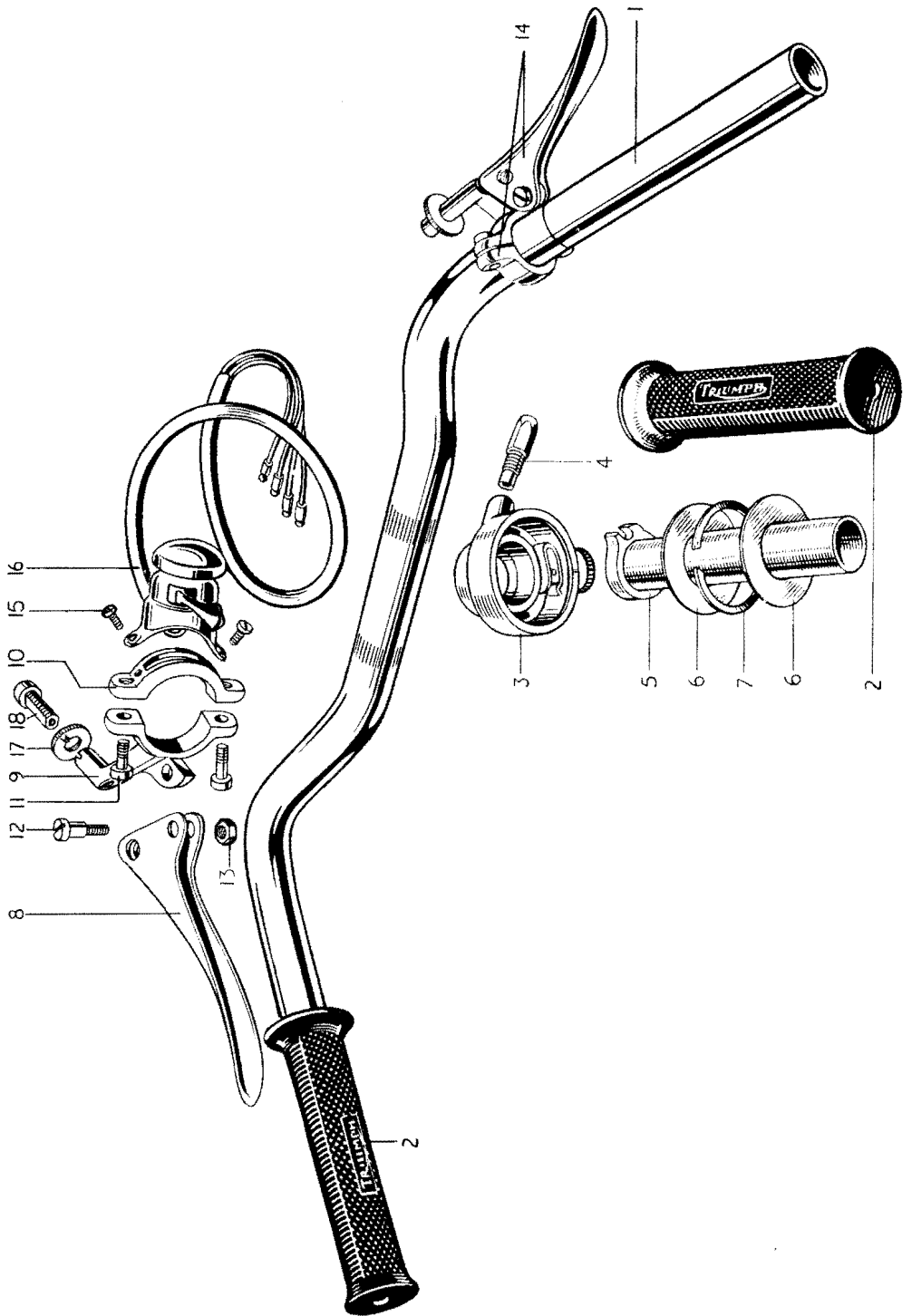


FIG. 25. HANDLEBAR AND CONTROLS

GROUP 21 – HANDLEBAR

REF. No.	PART No.	DESCRIPTION	6T	T100	T110	TR6	T120
FRONT BRAKE CONTROL							
1	18,886	Lever assembly, front brake	1	1	1	—	—
2	18,908	Lever assembly, front brake (ball-ended)	—	—	—	1	1
3	18,535	Lever only	1	1	1	—	—
4	18,754	Lever only (ball-ended)	—	—	—	1	1
5	18,890	Bracket, lever fulcrum	1	1	1	1	1
6	12,044	Clamp, lever bracket	1	1	1	1	1
7	11,014	Screw, lever bracket to clamp	2	2	2	2	2
8	18,087	Screw, lever fulcrum	1	1	1	1	1
9	18,053	Nut, lever fulcrum screw	1	1	1	1	1
10	18,838	Screw, adjuster	1	1	1	1	1
11	18,839	Nut, thumb	1	1	1	1	1
12	18,880	Nipple, slotted barrel	1	1	1	1	1
CLUTCH CONTROL							
13	18,894	Lever assembly clutch	1	1	1	—	—
14	18,909	Lever assembly clutch (ball-ended)	—	—	—	1	1
15	18,528	Lever only	1	1	1	—	—
16	18,752	Lever only (ball-ended)	—	—	—	1	1
17	18,892	Bracket, lever fulcrum	1	1	1	1	1
18	H668	Clamp, lever bracket	1	1	1	1	1
19	61,004	Screw, lever bracket to clamp	2	2	2	2	2
20	18,087	Screw, lever fulcrum	1	1	1	1	1
21	18,053	Nut, lever fulcrum screw	1	1	1	1	1
22	18,838	Screw, adjuster	1	1	1	1	1
23	18,839	Nut, thumb	1	1	1	1	1
24	18,880	Nipple, slotted barrel	1	1	1	1	1
AIR CONTROL							
25	12,612	Lever assembly air control	1	1	1	—	—
26	12,614	Lever assembly air control (chrome)	—	—	—	1	—
27	12,016	Lever only	1	1	1	—	—
28	12,556	Lever only	—	—	—	1	—
29	12,607	Bolt, centre	1	1	1	1	—
30	12,606	Cap	1	1	1	1	—
31	12,033	Washer, centre spring	1	1	1	1	—
32	11,014	Screw, fixing clip	2	2	2	2	—
33	12,044	Clip, fixing	1	1	1	1	—

HANDLEBAR GROUP 21 CONTROL CABLE — GROUP 22

REF. No.	PART No.	DESCRIPTION	6T	T100	T110	TR6	T120
----------	----------	-------------	----	------	------	-----	------

MAGNETO CONTROL

1	12/613	Lever assembly, magneto control	—	1	1	1	1
2	12/014	Lever only	—	1	1	1	1
3	12/607	Bolt, centre	—	1	1	1	1
4	12/606	Cap, centre	—	1	1	1	1
5	12/033	Washer, spring	—	1	1	1	1
6	11/014	Screw, clip fixing	—	2	2	2	2
7	12/044	Clip, fixing	—	1	1	1	1

CONTROL CABLE—GROUP 22

CLUTCH CABLE

8	D388	Cable assembly clutch	1	1	1	1	1
9	D103	Ferrule, cable casing	2	2	2	2	2
10	D368	Nipple	2	2	2	2	2

FRONT BRAKE CABLE

11	D414	Cable assembly, brake	1	—	—	—	—
12	D416	Cable assembly, brake	—	1	1	1	1
13	D103	Ferrule, cable casing	2	2	2	2	2
14	D368	Nipple (handlebar end)	1	1	1	1	1
15	W593	Fork end	1	1	1	1	1

THROTTLE CABLE

16	D224	Throttle cable assembly	1	1	1	1	—
17	D421	Throttle cable assembly	—	—	—	—	1
18	D422	Cable, twistgrip to junction box	—	—	—	—	1
19	244/104	Junction box	—	—	—	—	1
20	D423	Cable, junction box to carb.	—	—	—	—	2
21	D101	Ferrule, casing	3	3	3	3	10
22	H670	Guide tube, throttle wire	1	1	1	1	1
23	D83	Nipple, throttle wire (twistgrip)	1	1	1	1	1
24	NS191	Nipple, throttle wire (carb.)	1	1	1	1	5
25	D104	Adjuster, cable casing	1	1	1	1	3

GROUP 22 — CONTROL CABLE
GROUP 23 — OVERSEAS HANDLEBAR

REF. No.	PART No.	DESCRIPTION	6T	T100	T110	TR6	T120
1	D329	Cable assembly, air				—	—
2	D242	Cable assembly, air	—	—	—		—
3	D101	Ferrule, air casing					—
4	D83	Nipple, air wire (handlebar end)					—
5	NS191	Nipple, air wire (carburetter end)					—

IGNITION CABLE

6	D100	*Cable assembly, ignition	—					
7	D101	Ferrule, ignition casing	—	2	2	2	2	
8	D83	Nipple, ignition wire (handlebar end)	—					
9	XA69	Clip, cables to frame, etc.						As required

**Magneto end fittings supplied by Messrs. Lucas Ltd.*

HANDLEBAR—GROUP 23

U.S.A. AND CANADIAN PATTERN

10	H1226	Handlebar, complete with all controls		—	—	—	—
11	H1227	Handlebar, complete with all controls	—			—	—
12	H1228	Handlebar, complete with all controls	—	—	—		—
13	H1279	Handlebar, complete with all controls	—	—	—	—	
14	H1010	Handlebar, bend only				—	
15	H1179	Handlebar, bend only	—	—	—		—
16	D415	Cable assembly, brake		—	—	—	—
17	D417	Cable assembly, brake	—				
18	D257	Cable assembly, throttle					—
19	D424	Cable assembly, throttle	—	—	—	—	
20	D425	Cable, twistgrip to junction box	—	—	—	—	2
21	D260	Cable assembly, ignition	—				
22	D389	Cable assembly, clutch					

GROUP 26 – BATTERY CARRIER AND TOOLBOX

REF. No. PART No. DESCRIPTION 6T T100 T110 TR6 T120

BATTERY CARRIER AND TOOLBOX—GROUP 26

BATTERY CASE AND TOOLBOX

REF. No.	PART No.	DESCRIPTION	6T	T100	T110	TR6	T120
1	F3870	Battery case and toolbox assembly					—
2	F4528	Battery case and toolbox assembly	—	—	—	—	
3	E534	Swivel, carrier strap plain					
4	E535	Swivel, carrier strap tapped					
5	E536	Bolt, carrier strap swivel, 1 1/8" U/H					
6	F3588	Strap, carrier top					
7	F1668	Strap, carrier front					
8	F1727	Pin, carrier strap hinge	2	2	2	2	2
9	F3874	Lid assembly, battery case					
10	F3875	Fastener, lid					
11	F3227	Grommet, lid fastener					
12	F3641	Stud, carrier to seat tube boss, 1/8" O/A					
13	F1008	Nut, carrier to seat tube boss stud					
14	S26-3	Washer, carrier to seat tube boss stud					
15	F1699	Clip, battery case to frame					
16	DS57	Bolt, battery case to frame clip, 7/16" U/H					
17	F879	Nut, battery case to frame clip					
18	E1612	Washer, battery case to frame clip					
19	A57	Transfer, "Bonneville 120"	—	—	—	—	

For securing bolt, nut and washer, Toolbox/Battery case to rear engine plate, see Rear Mudguard Group, page 70.

DESPATCHING GOODS. Parts being returned to either the Distributor or Triumph Service Department for rectification should be well packed to avoid damage in transit. Cylinder barrels and cylinder heads are extremely vulnerable to breakage of the fins ; when casing, pack straw or old newspapers, etc., round the finning to prevent damage due to shock. Advice of despatch should be forwarded to the consignee and the sender **MUST** securely attach a label to the returned parts, clearly stating his name and address.

RECEIVING GOODS. Every possible precaution is taken to ensure that the sender's order has been correctly interpreted and the goods despatched are correct to the invoice. Parts sent in for repair are tested before despatch and are subsequently covered by our guarantee on Page 115. In the event of any shortage or damage in transit, we must be advised within 48 hours of arrival in order that the necessary action can be taken. No claim can be entertained after this period.

BATTERY CARRIER AND TOOLBOX – GROUP 26

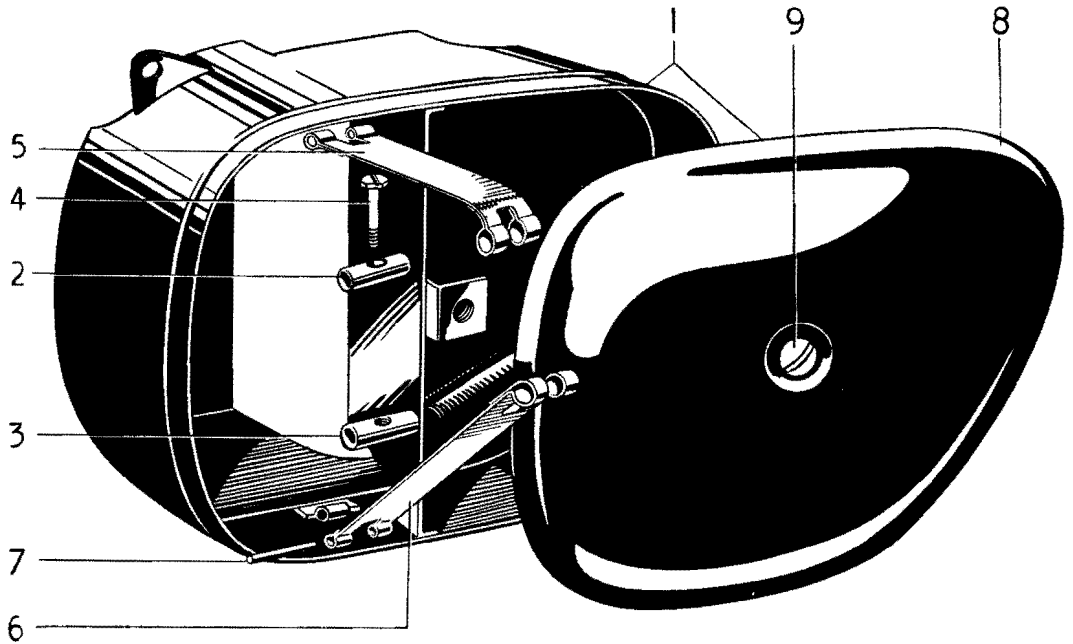


FIG. 26. BATTERY CARRIER AND TOOL BOX

INDEX FIG. 26

Illust. No.	Part No.	Page No.	Ref. No.	Illust. No.	Part No.	Page No.	Ref. No.
1	F3870	84	1	5	F3588	84	6
	F4528	84	2	6	F1668	84	7
2	E534	84	3	7	F1727	84	8
3	E535	84	4	8	F3874	84	9
4	E536	84	5	9	F3875	84	10

TOOLKIT – GROUP 27

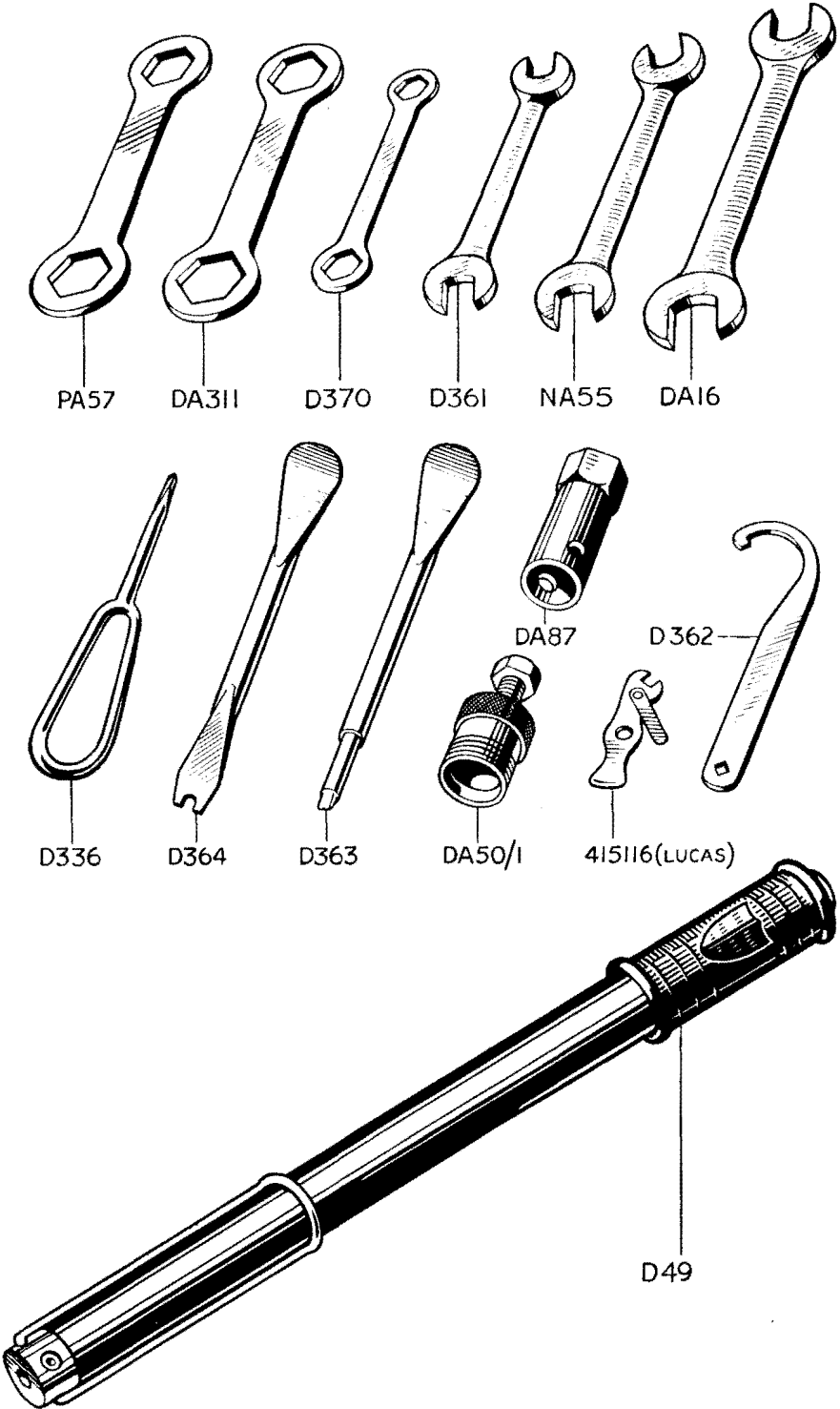


FIG. 27. TOOL KIT

GROUP 28 – AIR FILTER

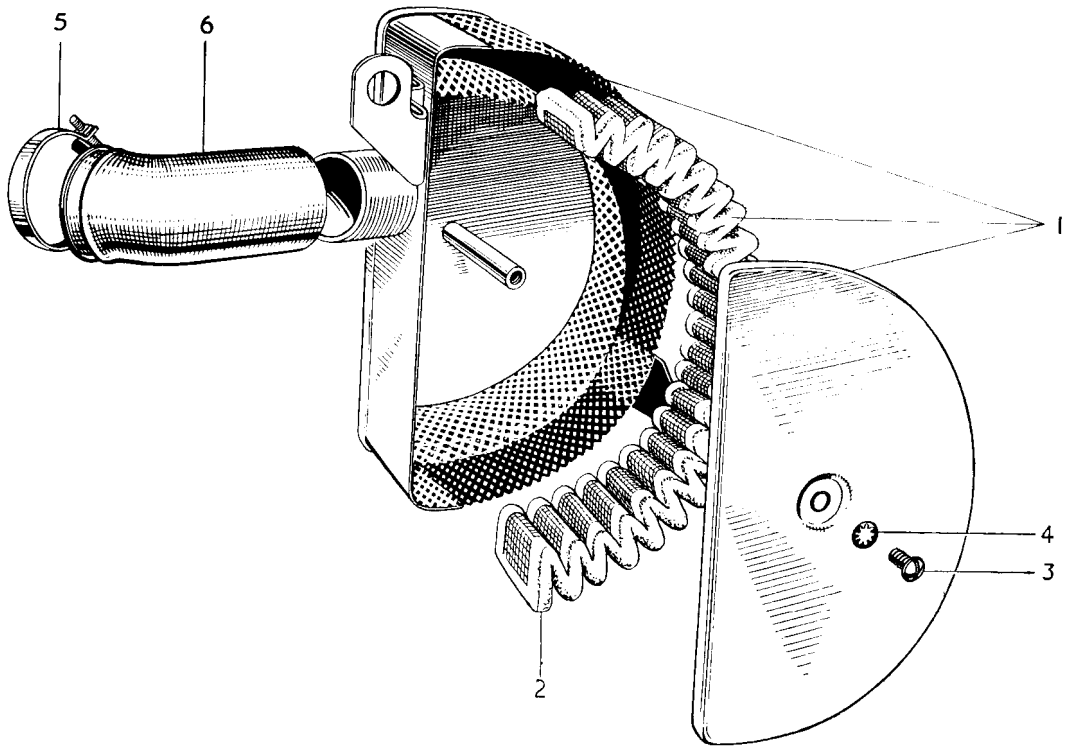


FIG. 28. AIR FILTER

INDEX FIG. 28

Illust. No.	Part No.	Page No.	Ref. No.	Illust. No.	Part No.	Page No.	Ref. No.
1	F3857	88	1	4	E2312	88	4
2	F3315E	88	2	5	F3859	88	6
3	F3376	88	3	6	F3858	88	5

AIR FILTER — GROUP 28
LEGSHIELD — GROUP 29
SIDECAR FITTINGS — GROUP 30

REF. No.	PART No.	DESCRIPTION	6T	T100	T110	TR6	T120
----------	----------	-------------	----	------	------	-----	------

AIR FILTER—GROUP 28

1	F3857	Air filter assembly					—
2	F3315E	Element only					—
3	F3376	Screw, cover $\frac{3}{8}$ " U/H					—
4	E2312	Washer, serrated					—
5	F3858	Connection, rubber					—
6	F3859	Clip, at carburetter					—

LEGSHIELD—GROUP 29

7	F3208	Legshield, L.H.					
8	F3894	Legshield, R.H.					
9	F3326	Stay, legshield	2	2	2	2	2
10	E1598	Clip, front down tube					
11	F1031	Bolt, stay to clip, $\frac{1}{8}$ " U/H					
12	PO172A	Nut, stay to clip bolt					
13	S25-2	Washer, stay to clip bolt					
14	DS57	Bolt, stay to legshield, $\frac{3}{8}$ " U/H	4	4	4	4	4
15	F879	Nut, stay to legshield bolt	4	4	4	4	4
16	S26-2	Washer, stay to legshield bolt	4	4	4	4	4

SIDECAR FITTINGS—GROUP 30

17	F2587	Lug, lower front connection					—
18	F1746	Sleeve nut, lug to frame	2	2	2	2	—
19	F2600	Bolt, lower front lug					—
20	F1747	Nut, lower front lug bolt					—

PROPRIETARY GROUP

PROPRIETARY GROUP

Ancillary equipment which is fitted to our motor cycles is of the highest quality and is guaranteed by the manufacturers and not by ourselves. Any repairs or claims should be made to the actual maker who will always give owners every possible assistance. The following are the addresses of the various manufacturers:-

CARBURETTORS	Messrs. Amal Ltd., Holdford Road, Witton, Birmingham, 6.
CHAINS	Renold Chains Ltd., Wythenshawe, Manchester.
ELECTRICAL EQUIPMENT ...	Messrs. J. Lucas, Ltd., Gt. Hampton Street, Birmingham, 18.
SPARKING PLUGS	Champion Sparking Plug Co. Ltd., Feltham, Middlesex. K.L.G. Sparking Plugs Ltd., Cricklewood Works, London, N.W.2. Lodge Plugs Ltd., Rugby, Warwickshire.
SPEEDOMETERS	Messrs. Smiths Motor Accessories Ltd., Cricklewood Works, London, N.W.2.
SUSPENSION UNITS	Messrs. Girling Ltd., Kings Road, Tyseley, Birmingham, 11.
TYRES	Dunlop Rubber Co. Ltd., Fort Dunlop, Birmingham, 24.

AMAL CARBURETTER — GROUP 31

REF. No. PART No. DESCRIPTION 6T T100 T110 TR6 T120

AMAL CARBURETTER—GROUP 31

1	376/210	Carburetter complete	1	—	—	—	—
2	376/35	Carburetter complete	—	1	—	—	—
3	376/40	Carburetter complete	—	—	1	1	—
4	376/204	Mixing chamber assembly	—	—	—	—	2
5	376/003	Chamber, mixing 1/16" choke	1	—	1	1	—
6	376/001	Chamber, mixing 1/8" choke	—	1	—	—	—
7	376/030	Chamber, mixing 1/16" choke	—	—	—	—	2
8	376/107	Top, mixing chamber	1	1	1	1	2
9	376/065	Cap, mixing chamber	1	1	1	1	2
10	4/276	Spring, mixing chamber cap	1	1	1	1	2
11	4/241	Screw, cap spring	1	1	1	1	2
12	4/137A	Screw, plus	—	—	—	—	2
13	376/062	Valve, air	1	1	1	1	—
14	4/046	Spring, air valve	1	1	1	1	—
15	6/047	Guide, air valve	1	1	1	1	—
16	376/060	Valve, throttle (3 1/2 cutaway)	1	1	1	1	2
17	376/061	Spring, throttle valve	1	1	1	1	—
18	376/132	Spring, throttle valve	—	—	—	—	2
19	376/068	Screw, throttle stop	1	1	1	1	2
20	376/069	Spring, throttle stop screw	1	1	1	1	2
21	332/017	Screw, air adjusting	1	1	1	1	2
22	4/148	Spring, air adjusting screw	1	1	1	1	2
23	376/100	Jet, main (220)	—	1	—	—	—
	376/100	Jet, main (240)	—	—	—	—	2
	376/100	Jet, main (250)	—	—	1	1	—
	376/100	Jet, main (270)	1	—	—	—	—
24	376/057	Block, jet, 1/16" choke	1	—	1	1	2
25	376/055	Block, jet, 1/8" choke	—	1	—	—	—
26	376/070	Peg, jet block locating	1	1	1	1	2
27	376/067	Washer, jet block	1	1	1	1	2
28	376/073	Holder, main jet	1	1	1	1	—
29	376/140	Holder, main jet	—	—	—	—	2
30	376/074	Washer, jet holder	1	1	1	1	4
31	376/141	Banjo, petrol inlet	—	—	—	—	2
32	376/075	Nut, main jet cover	1	1	1	1	2
33	376/072	Jet, needle (-1065)	1	1	1	1	2
34	376/063	Needle, jet (type C)	1	1	1	1	2
35	4/230	Clip, jet needle	1	1	1	1	2
36	376/076	Jet, pilot (25)	1	1	1	1	2

GROUP 31 - AMAL CARBURETTER

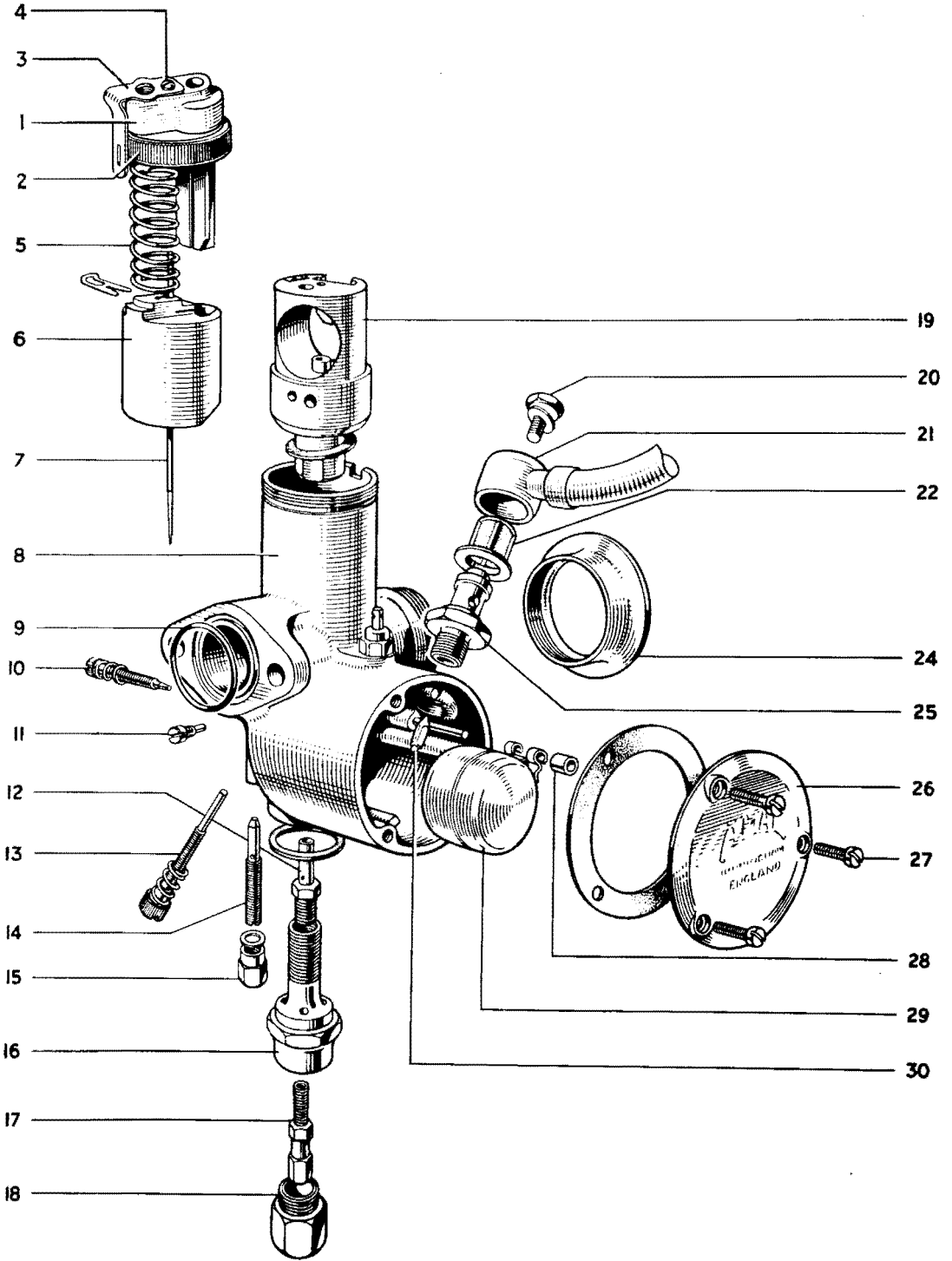


FIG. 29. AMAL CARBURETTER

AMAL CARBURETTER — GROUP 31

INDEX FIG. 29

<i>Illust. No.</i>	<i>Part No.</i>	<i>Page No.</i>	<i>Ref. No.</i>
1	376/107	91	8
2	376/065	91	9
3	4/276	91	10
4	4/241	91	11
5	376/061	91	17
	376/132	91	18
6	376/060	91	16
7	376/063	91	34
8	376/003	91	5
	376/001	91	6
	376/030	91	7
9	244/1048	94	22
10	332/017	91	21
11	376/070	91	26
12	376/072	91	33
13	376/068	91	19
14	376/076	91	36
15	376/095	94	2
16	376/073	91	28
	376/140	91	29
17	376/100	91	23
18	375/075	91	32
19	376/057	91	24
	376/055	91	25
20	376/091	94	15
21	F4450	71	40
22	376/093	94	14
24	376/066	94	27
25	376/088	94	13
26	376/077	94	5
27	376/079	94	7
	376/151	94	8
28	376/094	94	11
29	376/083	94	9
30	376/089	94	12

GROUP 31 — AMAL CARBURETTER

REF. No.	PART No.	DESCRIPTION	6T	T100	T110	TR6	T120
1	116/162	Washer, pilot jet cover nut					2
2	376/095	Nut, pilot jet cover					2
3	4/035	Adjuster, air cable					—
4	6/132A	Ferrule, throttle cable					2
5	376/077	Cover, float chamber					2
6	376/078	Washer, cover joint					2
7	376/079	Screw, float chamber cover	3	3	3	3	—
8	376/151	Screw, float chamber cover	—	—	—	—	6
9	376/083	Float					—
10	376/085	Spindle, float hinge					—
11	376/094	Bush, float spindle					—
12	376/089	Needle, valve					—
13	376/088	Seating, valve needle					—
14	376/093	Gauge, filter					—
15	376/091	Bolt, banjo					—
16	376/092	Washer, banjo bolt					—
17	376/086	Tickler					—
18	343/011	Body, tickler					—
19	376/087	Spring, tickler					—
20	NA43A	Washer, insulating block to manifold	—				—
21	E2968	Block, insulating	—				—
22	244/1048	"O" ring seal, carburetter					2
23	F2603	Bolt, carburetter to head	—	—	—	—	4
24	S25-3	Washer, plain	—	—	—	—	4
25	S26-3	Washer, spring	—	—	—	—	4
26	S1-51	Nut, carburetter bolt	—	—	—	—	4
27	376/066	Tube, air intake (For use when air filter is disconnected)	A	A	A	A	2
28	14/617	Float chamber, complete	—	—	—	—	
29	14/363	Body, float chamber	—	—	—	—	
30	14/297	Cover, float chamber	—	—	—	—	
31	14/366	Needle, float	—	—	—	—	
32	14/017	Float	—	—	—	—	
33	161/054	Clip, float needle	—	—	—	—	
34	14/209	Tickler	—	—	—	—	
35	14/210	Stop, tickler	—	—	—	—	
36	14/032	Spring, tickler	—	—	—	—	
37	14/289	Cotter, tickler	—	—	—	—	

AMAL CARBURETTER — GROUP 31 CHAINS — GROUP 32

REF. No.	PART No.	DESCRIPTION	6T	T100	T110	TR6	T120
1	I4/219	Union, outlet	—	—	—	—	1
2	I4/336	Washer, fibre	—	—	—	—	1
3	I4/173	Banjo, outlet	—	—	—	—	1
4	I4/036	Nut, banjo	—	—	—	—	1
5	I4/037	Washer, banjo	—	—	—	—	2

CARBURETTER FITTINGS

6	F3746	Clip, float chamber	—	—	—	—	1
7	TE164E	Bolt, clip	—	—	—	—	1
8	TE164C	"D" nut	—	—	—	—	1
9	TE164D	"D" washer	—	—	—	—	1
10	F3740	Block, float chamber mounting	—	—	—	—	1
11	F3745	Clip, block to frame	—	—	—	—	2
12	F1149	Bolt, clip	—	—	—	—	2
13	E1612	Washer, serrated	—	—	—	—	2
14	F879	Nut	—	—	—	—	2
15	F4539	Petrol pipe assembly (lines 16-20)	—	—	—	—	2
16	F4525	Petrol pipe, rubber	—	—	—	—	2
17	F3353	Elbow, obtuse	—	—	—	—	2
18	F3335	Elbow 90°	—	—	—	—	2
19	F3337	Nut, union	—	—	—	—	4
20	E4035	Clip	—	—	—	—	4
21	F4540	Petrol pipe assembly (lines 22-24)	—	—	—	—	1
22	F4526	Petrol pipe, rubber	—	—	—	—	3
23	F4356	"T" piece, steel	—	—	—	—	1
24	E4035	Clip	—	—	—	—	6

CHAINS—GROUP 32

25	D301	Chain, primary 70L × $\frac{1}{2}$ " × $\frac{5}{16}$ " (solo)	1	1	1	1	1
26	D304	Chain, rear 100L × $\frac{3}{8}$ " × $\frac{3}{8}$ "	—	1	—	—	—
27	D310	Chain, rear 101L × $\frac{3}{8}$ " × $\frac{3}{8}$ "	1	—	1	1	1
28	I10046,49	Kit, primary, chain spare parts	1	1	1	1	1
29	I10056,59	Kit, rear, chain spare parts	1	1	1	1	1

When replacing primary chain use 68 links for 500 c.c. sidecar machines.

GROUP 33 — LUCAS LIGHTING AND IGNITION EQUIPMENT (DYNAMO AND MAGNETO)

REF. No. PART No.
DESCRIPTION
6T T100 T110 TR6 T120

LUCAS LIGHTING AND IGNITION EQUIPMENT—GROUP 33

(For Models fitted with Dynamo and Magneto)

DYNAMO (TYPE E3L-LIO)

1	20035A	Dynamo complete (positive earth)	—	1	1	1	1
2	200712	Armature	—	1	1	1	1
3	200911	Insulating plate with brush boxes	—	1	1	1	1
4	200910	Bracket, commutator end	—	1	1	1	1
5	189210	Bearing, commutator end	—	1	1	1	1
6	200918	Cover, commutator end	—	1	1	1	1
7	200904	Ring, sealing commutator end	—	1	1	1	1
8	200748	Plate, drive and oil seal end	—	1	1	1	1
9	200760	Bracket, drive and oil seal end... ..	—	1	1	1	1
10	189307	Bearing, drive and oil seal end	—	1	1	1	1
11	200731	Coil, field	—	1	1	1	1
12	188818	Nipple, cable fixing	—	2	2	2	2
13	200908	Plate, cable clamp	—	1	1	1	1
14	109660	Screw, cable clamp plate	—	1	1	1	1
15	200732	Bolt, through fixing	—	2	2	2	2
16	166014	Nut, through fixing bolt	—	2	2	2	2
17	188330	Washer, through fixing bolt	—	2	2	2	2
18	200737	Brush set	—	1	1	1	1
19	220197	Spring set, brush	—	1	1	1	1
20	189386	Key, woodruff	—	1	1	1	1
21	E2451	Pinion, dynamo	—	1	1	1	1
22	111704	Screw, dynamo pinion	—	1	1	1	1
23	188378	Washer, dynamo pinion	—	1	1	1	1
24	E2228	Nut (dome), dynamo to gear case	—	1	1	1	1
25	E2414	Stud, dynamo fixing 1 1/4" O/A	—	1	1	1	1
26	E2226	Washer, dynamo to crankcase joint	—	1	1	1	1
27	E2230	Strap, dynamo fixing	—	1	1	1	1
28	460025	Swivel, dynamo strap	—	2	2	2	2
29	112450	Screw, dynamo strap	—	2	2	2	2
30	E2784	Cover plate, crankcase (when dynamo is removed)	—	1	1	1	1
31	200895	Grommet, harness lead	—	1	1	1	1

CUT-OUT AND REGULATOR UNIT (TYPE RB107)

32	37225H	Regulator, complete	—	1	1	1	1
33	F1369	Bolt, unit to rear stays 5/8" U/H	—	2	2	2	2
34	F879	Nut, for F1369	—	2	2	2	2
35	E1612	Washer, for F879	—	2	2	2	2

LUCAS LIGHTING AND IGNITION EQUIPMENT – GROUP 33 (DYNAMO AND MAGNETO)

REF. No. PART No. DESCRIPTION 6T T100 T110 TR6 T120

HEADLAMP (NACELLE TYPE MCF700P)

1	51860A	Headlamp assembly	—	1	1	—	1
2	553248	Rim, front	—	1	1	—	1
3	534296	Screw and plate, front rim fixing	—	1	1	—	1
4	555309	Glass and reflector unit	—	1	1	—	1
5	553267	Ring, lamp fixing...	—	1	1	—	1
6	554602	Adaptor, bulb	—	1	1	—	1
7	504665	Fixing wire, light unit	—	6	6	—	6
8	373	Bulb, pre-focus 30/24W (L.H. Dipping)	—	1	1	—	1
9	554710	Pilot bulbholder	—	1	1	—	1
10	988	Bulb, pilot 3W	—	1	1	—	1
11	H689	Screw, lamp fixing ring $\frac{1}{4}$ " U/H	—	2	2	—	2
12	H690	Nut, lamp fixing ring screw	—	2	2	—	2

HEADLAMP (TROPHY)

13	51892A	Headlamp assembly	—	—	—	1	—
14	553248	Rim, front	—	—	—	1	—
15	534296	Screw and plate, front rim fixing	—	—	—	1	—
16	516798	Glass and reflector unit	—	—	—	1	—
17	554602	Adaptor, bulb	—	—	—	1	—
18	504665	Fixing wire, light unit	—	—	—	6	—
19	312	Bulb, pre-focus 30/24W	—	—	—	1	—
20	554710	Pilot bulbholder	—	—	—	1	—
21	988	Bulb, pilot 3W	—	—	—	1	—
22	859260/809795	Plug and Socket	—	—	—	1	—
23	36084	Ammeter	—	—	—	1	—
24	31315	Switch, light	—	—	—	1	—
25	308312	Panel, instrument	—	—	—	1	—
26	516183	Beading, instrument panel	—	—	—	1	—
27	186130	Screw, instrument panel	—	—	—	4	—
28	188818	Nipple, cable fixing	—	—	—	1	—

HORN (TYPE HF144I)

29	70048A	Horn, complete	—	1	1	1	1
30	701851	Bracket, horn	—	2	2	2	2
31	F3689	Bracket, horn (saddle stud fitting)	—	—	—	1	—
32	700920	Bracket, horn angle	—	1	1	—	1
33	142689	Screw, horn bracket	—	2	2	—	2
34	185051	Washer, horn bracket	—	2	2	—	2
35	DS57	Bolt, horn bracket to lug $\frac{7}{16}$ " U/H	—	2	2	—	2
36	S26-2	Washer, horn bracket to lug	—	2	2	—	2
37	H687	Screw, mounting bracket $\frac{3}{8}$ " U/H	—	—	—	2	—
38	GS299	Washer, bracket screw	—	—	—	2	—
39	H745	Nut, bracket screw	—	—	—	2	—

GROUP 33 – LUCAS LIGHTING AND IGNITION EQUIPMENT (DYNAMO AND MAGNETO)

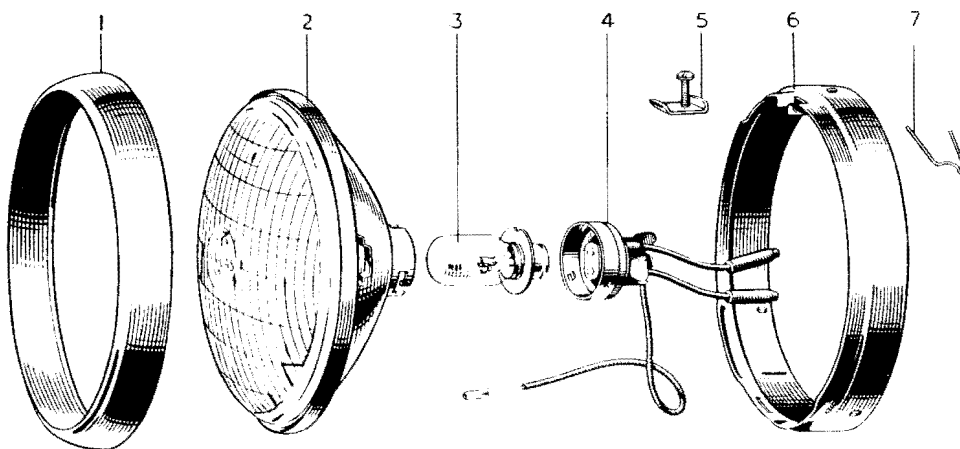


FIG. 30. HEAD LAMP

INDEX FOR DYNAMO CONDITION

INDEX FOR "D.C." CONDITION (T100, T110, TR5 & TR6)

<i>Illust. No.</i>	<i>Part No.</i>	<i>Page No.</i>	<i>Ref. No.</i>	<i>Illust. No.</i>	<i>Part No.</i>	<i>Page No.</i>	<i>Ref. No.</i>
1	553248	97	2	4	554602	97	6
2	555309	97	4	5	534296	97	3
	516798	97	16	6	553267	97	5
3	373	97	8	7	504665	97	7
	312	97	19				

INDEX FOR "AC" CONDITION (5T & 6T)

<i>Illust. No.</i>	<i>Part No.</i>	<i>Page No.</i>	<i>Ref. No.</i>	<i>Illust. No.</i>	<i>Part No.</i>	<i>Page No.</i>	<i>Ref. No.</i>
1	553248	105	15	5	534296	105	16
2	555309	105	17	6	553267	105	18
3	373	105	21	7	504665	105	20
4	554602	105	19				

LUCAS LIGHTING AND IGNITION EQUIPMENT – GROUP 33 (DYNAMO AND MAGNETO)

REF. No.	PART No.	MAGNETO REF. No. (see opposite page)	1	2	3	4	5	
1	459004	Armature			—	—	—	
2	459376	Armature	—	—			—	
3	455361	Slip ring			—	—	—	
4	456727	Slip ring	—	—			—	
5	458339	Condenser			—	—	—	
6	189294	Bearing, C.B. end					—	
7	189244	Bearing, drive end					—	
8	459005	Cup, drive bearing insulating					—	
9	459002	Oil seal					—	
10	455191	Brush, spring and holder, earthing						
11	455190	Brush and spring, earthing						
12	458675	Sundry parts set					—	
13	458869	Sundry parts set	—	—	—	—		
14	47502	Auto advance unit complete	As required					
15	E2741	Gear magneto, fixed						
16	170104	Nut, magneto gear, $\frac{3}{8}$ " std.						
17	E1330	Washer, magneto gear, $\frac{3}{8}$ " std.						

With the exception of the parts listed above, no spares are supplied separately for the racing magneto 42324. For repair it should be returned to:—

**RACING DEPARTMENT,
JOSEPH LUCAS (SALES & SERVICE) LTD.,
GREAT HAMPTON STREET,
BIRMINGHAM, 18.**

**GROUP 33 — LUCAS LIGHTING AND IGNITION EQUIPMENT
(DYNAMO AND MAGNETO)**

INDEX FIG. 31

<i>Illust. No.</i>	<i>Part No.</i>	<i>Page No.</i>	<i>Ref. No.</i>
2	458876	100	6
3	458876	100	6
4	458877	100	7
5	451260	100	8
6	410600	100	9
7	145074	100	10
8	458658	100	11
9	459269	100	12
	459205	100	15
10	459888	100	14
11	459266	100	13
12	455190	100	17
13	457681	100	18
14	122160	100	19
15	470534	100	20
	470914	100	22
16	470609	100	21
17	470688	100	23
18	470537	100	24
19	492195	100	25
	459305	100	26
	457117	100	27
20	454475	100	28
21	458725	100	29
	459130	100	30
22	459271	100	31
	493716	100	32
23	463932	100	33
24	150509	100	34
25	185048	100	35
26	452907	100	36
27	459004	101	1
	459376	101	2
28	455361	101	3
	456727	101	4
29	458339	101	5
30	189294	101	6
31	189244	101	7
32	459005	101	8
33	459002	101	9
34	455191	101	10
35	455190	101	11

LUCAS LIGHTING AND IGNITION EQUIPMENT – GROUP 33 (DYNAMO AND MAGNETO)

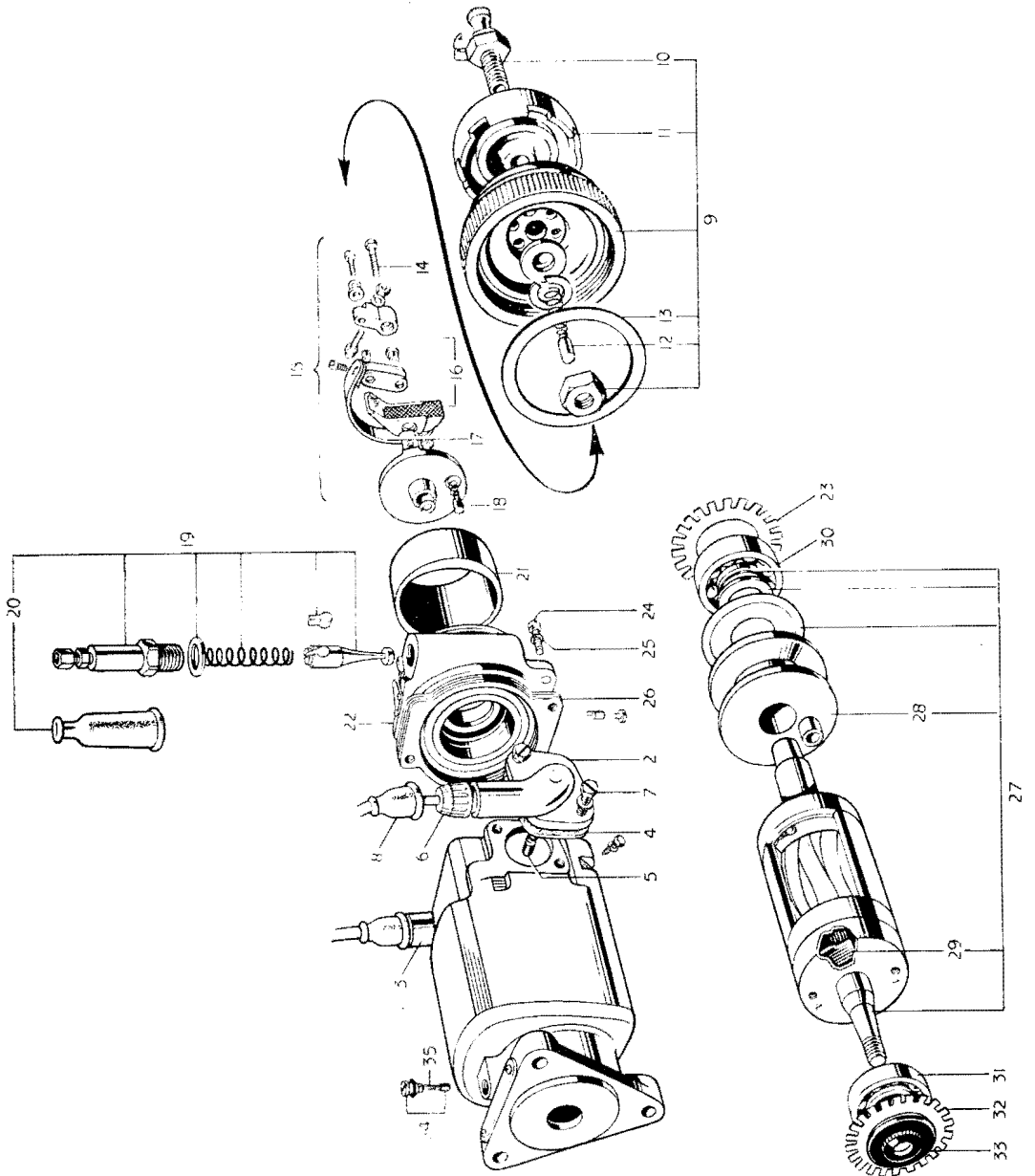


FIG. 31. LUCAS MAGNETO

LUCAS LIGHTING AND IGNITION EQUIPMENT (ALTERNATOR) — GROUP 34

REF. No.	PART No.	DESCRIPTION	6T	T100	T110	TR6	T120
1	400001	Base only, distributor	1	—	—	—	—
2	400164	Base c/w contact points	1	—	—	—	—
3	421935	Shaft and action plate	1	—	—	—	—
4	420406	Bushing	1	—	—	—	—
5	400843	Sundry parts set	1	—	—	—	—
6	407131	Toggle	1	—	—	—	—
7	410591	Clip, cover retaining	1	—	—	—	—
8	E3122	Adaptor, distributor to crankcase	1	—	—	—	—
9	SI-51	Nut, distributor to crankcase	3	—	—	—	—
10	PCE102F	Bolt, distributor clamp	1	—	—	—	—
11	E2312	Washer, distributor clamp	1	—	—	—	—
12	E3303	Cover, distributor protective	1	—	—	—	—

HEADLAMP (NACELLE TYPE MCF700P)

13	51860A	Headlamp assembly	1	—	—	—	—
14	553248	Rim, front	1	—	—	—	—
15	534296	Screw and plate, front rim fixing	1	—	—	—	—
16	555309	Glass and reflector unit	1	—	—	—	—
17	553267	Ring, lamp fixing... ..	1	—	—	—	—
18	554602	Adaptor, bulb	1	—	—	—	—
19	504665	Fixing wire, light unit	6	—	—	—	—
20	373	Bulb, pre-focus 30/24W (L.H. dipping)	1	—	—	—	—
21	554710	Pilot bulbholder	1	—	—	—	—
22	988	Bulb, pilot 3W.	1	—	—	—	—
23	H689	Screw, lamp fixing ring $\frac{1}{4}$ " U/H	2	—	—	—	—
24	H690	Nut, lamp fixing ring screw	2	—	—	—	—

TAIL LAMP (STOP LIGHT PATTERN WITH INTEGRAL REFLECTORS) TYPE 564

25	53432B	Stop and tail lamp	1	—	—	—	—
26	573839	Lens	1	—	—	—	—
27	575200	Window	1	—	—	—	—
28	575208	Gasket, lens seating	1	—	—	—	—
29	575219	Nut, lens retaining	2	—	—	—	—
30	576002	Base assembly	1	—	—	—	—
31	575209	Bulbholder assembly	1	—	—	—	—
32	575207	Grommet, bulbholder	1	—	—	—	—
33	573828	Contact assembly	1	—	—	—	—
34	573825	Grommet, cable	1	—	—	—	—
35	384	Bulb 3/18W, offset pin	1	—	—	—	—
36	31383	Switch, stop lamp	1	—	—	—	—
37	H687	Screw, switch fixing $\frac{3}{8}$ " U/H	2	—	—	—	—
38	GS299	Washer, fixing screw	2	—	—	—	—

TWINSEAT — GROUP 35
SPARKING PLUG — GROUP 36
SPEEDOMETER — GROUP 37

REF. No. PART No. DESCRIPTION 6T T100 T110 TR6 T120

TWINSEAT—GROUP 35

1	F3647	Twinseat, c/w all attachments	1	1	1	—	—
2	F4481	Bracket, auxiliary support, L.H. (U.S.A.)	1	1	1	—	—
3	F4482	Bracket, auxiliary support, R.H. (U.S.A.)	1	1	1	—	—
4	F3815	Buffer, rubber (U.S.A.)	2	2	2	—	—
5	F3785	Twinseat, c/w all attachments	—	—	—	1	1
6	F4532	Bracket, auxiliary support (U.S.A.)	—	—	—	1	1
7	F3815	Buffer, rubber (U.S.A.)	—	—	—	1	1
8	F879	Nut, bracket (U.S.A.)	—	—	—	2	2
9	E2312	Washer, serrated (U.S.A.)	—	—	—	2	2
10	E2593	Bolt, twinseat to frame, 2 ⁹ / ₁₆ " U/H	1	1	1	—	1
11	F3066	Bolt, twinseat to frame 3" U/H	—	—	—	1	—
12	E2287	Washer, front bolt	1	1	1	1	1
13	S1-51	Nut, front bolt	1	1	1	2	2
14	F3792	Bracket, rear	—	—	—	1	1
15	S26-3	Washer, bracket bolt	—	—	—	2	2
16	F929	Bolt, bracket to pan, ¹ / ₂ " U H	—	—	—	2	2
17	F4452	Safety strap, twinseat	A	A	A	—	—
18	F4361	Safety strap, twinseat	—	—	—	A	A
19	F4129	Screw, strap to seat	4	4	4	4	4
20	GS299	Washer, serrated	4	4	4	4	4
21	H745	Nut, strap screw	4	4	4	4	4

SPARKING PLUG—GROUP 36

22	L7	Plug, sparking (Champion)	2	—	—	—	—
23	F80	Plug, sparking (K.L.G.)	2	—	—	—	—
24	H14	Plug, sparking (Lodge)	2	—	—	—	—
25	N3	Plug, sparking (Champion)	—	2	2	2	2
26	FE100	Plug, sparking (K.L.G.)	—	2	2	2	2
27	HLN	Plug, sparking (Lodge)	—	2	2	2	2
28	D297	Cover and suppressor, plug	2	2	2	2	2
29	D262	Cover, plug (U.S.A.)	2	2	2	2	2

SPEEDOMETER—GROUP 37

30	S467/107/L	Speedometer head, 120 m.p.h.	1	—	1	—	1
31	S467/99/L	Speedometer head, 120 m.p.h.	—	1	—	—	—
32	S433/3	Speedometer head, 120 m.p.h.	—	—	—	1	—
33	S467/47/L	Speedometer head, 180 k.p.h.	A	—	A	—	A
34	S467/23/L	Speedometer head, 180 k.p.h.	—	A	—	—	—
35	S433/7/L	Speedometer head, 180 k.p.h.	—	—	A	A	—
36	SC3304/07	Speedometer head, 240 k.p.h.	—	—	—	—	A
37	S467/91/L	Speedometer head, 120 m.p.h.	A	A	A	—	A

For non-standard engine sprockets (no r.p.m. calibration)

GROUP 37 — SPEEDOMETER
GROUP 38 — SUSPENSION UNIT

REF. No.	PART No.	DESCRIPTION	6T	T100	T110	TR6	T120
1	P53279 1	Bulb holder c w bulb	1	1	1	1	1
2	P52305	Bulb holder	1	1	1	1	1
3	P.22469	Rubber ring, speedometer head	1	1	1	—	1
4	25578 2	Clamp bar	1	1	1	—	1
5	N1253	Nut, clamp bar	2	2	2	—	2
6	DS40	Bracket, speedometer head	—	—	—	1	—
7	F1369	Bolt, bracket, $\frac{3}{8}$ " U H	—	—	—	2	—
8	H1015	Distance piece	—	—	—	2	—
9	S26-2	Washer, spring	—	—	—	2	—

SPEEDOMETER DRIVE

10	T924	Pinion, standard ratio layshaft 10T	1	1	1	1	1
11	T973	Pinion, wide ratio layshaft 8T	A	A	A	A	A
12	T925	Peg, pinion to layshaft	1	1	1	1	1
13	T934	Gear, standard ratio driven 16T	1	1	1	1	1
14	T975	Gear, wide ratio driven 15T	A	A	A	A	A
15	T825	Washer, gear thrust	1	1	1	1	1
16	D245	Cable, speedometer drive (44" long)	1	1	1	—	1
17	D245A	Cable, speedometer drive (44" long)	—	—	—	1	—
18	F3098	Clip, speedometer cable	1	1	1	1	1

SUSPENSION UNIT (GIRLING)—GROUP 38

19	SB4 279	Suspension unit	2	2	2	—	2
20	SB4 259	Suspension unit	—	—	—	2	—
21	SB4 275	Suspension unit (sidecar)	A	A	A	—	—
22	9054 316A	Bonded bush and sleeve	4	4	4	4	4
23	9054 171	Spring retainer	4	4	4	4	4
24	9054 151	Dirt shield, outer	2	2	2	2	2
25	9054 47	Dirt shield, inner	2	2	2	2	2
26	SA193/57	Spring 150 lbs. (sidecar) blue/red	A	A	A	A	A
27	9054 63	Spring 130 lbs. rate, red/yellow	A	A	A	A	A
28	9054 70	Spring 110 lbs. rate, purple/blue	A	A	A	A	A
29	9054 280	Spring 100 lbs. rate, green/green	2	2	2	2	2
30	9054 69	Spring 90 lbs. rate (road racing), yellow/white	A	A	A	A	A
31	E2113	Bolt, unit fixing, $1\frac{5}{16}$ " U/H	4	4	4	4	4
32	S25-2	Washer, lower bolt only	2	2	2	2	2
33	PO172A	Nut, unit fixing bolt	4	4	4	4	4
34	S26-1	Washer, fixing bolt nut	4	4	4	4	4

HIGH PERFORMANCE PARTS – GROUP 39

REF. No.	PART No.	DESCRIPTION	REMARKS
ENGINE			
1	CPI35	Piston, complete, CR 8 : 1	500 c.c. models
2	CPI33	Piston, complete, CR 8.5 : 1	" "
3	CPI61	Piston, complete, CR 9 : 1	" "
4	CPI34	Piston, complete, CR 9.5 : 1	" "
5	CPI32	Piston, complete, CR 12 : 1	" "
6	CPI63	Piston, complete, CR 8 : 1	650 c.c. "
7	CPI57	Piston, complete, CR 8.5 : 1	" "
8	CPI60	Piston, complete, CR 12 : 1	" "

CAMSHAFTS AND VALVE GEAR

9	E1486R	Wheel, inlet and exhaust camshaft	} 3 keyway Must be used
10	E3134	Camshaft, inlet and exhaust	
11	E3059R	Tappet, inlet and exhaust	} together Steel
12	E3411	Gear, magneto	
13	E3001	Valve, spring inner	} Interference fit
14	E3002	Valve, spring outer	
15	E3827	Valve guide, inlet	Bronze
16	E3828	Valve guide, exhaust	Bronze

CYLINDER HEAD (SPLAYED PORT)

17	E3663	Head cylinder c/w guides and adaptors	500 c.c. models
18	E3766	Valve, inlet c/w guides and adaptors	" "
19	E1956	Valve, exhaust c/w guides and adaptors	" "
20	E3844	Adaptor, carburetter c/w guides and adaptors	" "
21	E3847	Locknut, adaptor c/w guides and adaptors	" "
22	E2961	Adaptor, exhaust pipe c/w guides and adaptors	" "
23	E3646	Tube, push rod cover	" "
24	E3550	Box, inlet rocker	" "
25	E3551	Box, exhaust rocker	" "
26	E3552	Gasket, rocker box joint	" "
27	E2982	Bolt, rocker box to head, 2 ⁵ / ₁₆ " U H	" "

TACHOMETER DRIVE (WITH GENERATOR) KIT No. CPI62

28	E3677	Cover, timing gears	} 2 off
29	E3678	Grub screw	
30	E3679	Housing, driving gear	
31	E3682	Housing, driven gear	
32	E3685	Nut, camshaft, L.H.	
33	E3686	Gear, driving	
34	E2749	Gear, driven	
35	5209 5	Cable, tachometer drive	
36	RC109	Head, tachometer	
37	HI083	Bracket, tachometer and speedometer	
38	HI086	Bolt, tachometer bracket	

GROUP 39 – HIGH PERFORMANCE PARTS

REF. No.	PART No.	DESCRIPTION	REMARKS
TACHOMETER DRIVE (WITHOUT GENERATOR)			
1	E3022	Gearbox, tachometer drive	
2	E3050	"O" ring seal	
3	E3010	Washer, gearbox joint	
4	E2994	Pinion, gearbox drive	
5	GS297	Nut, drive pinion	
6	E2995	Bolt	
7	H430	Washer, fibre	
8	E2996	Screw	
9	E2997	Nut	
10	E1612	Washer	
11	52091 5	Cable, tachometer drive	
12	RC126	Head, tachometer	
GEARBOX			
13	T427S	Nut, clutch spring	Steel
14	T1560	Spring, clutch pressure	Extra-strong
CLOSE RATIO GEARS, KIT No. CP95			
15	T1177	Mainshaft c w low gear, 18T	
16	T1383	Gear, mainshaft high, 24T	
17	T955	Gear, mainshaft 2nd, 21T	
18	T1179	Gear, mainshaft 3rd, 23T	
19	T959	Layshaft c w high gear, 22T	
20	T961	Gear, layshaft low, 28T	
21	T963	Gear, layshaft 2nd, 25T	
22	T964	Gear, layshaft, 23T	
23	T983	Plug, speedo drive housing	} Alternative
24	T948	Washer, rubber	
25	T1227	Cap, speedo drive blanking	Alternative
To use speedometer with close ratio gears, fit standard drive gears and S467 131 head 1,425 r.p.m., obtainable from Messrs. Smiths.			
26	T1228	Pedal, gear change	
27	T1229/30	Kickstarter, folding	
FOOTRESTS			
28	F3699	Support plate, L.H. (silencer)	} Alternative
29	F3700	Support plate, R.H. (silencer)	
30	F4345	Support plate, L.H. (megaphone)	} Alternative
31	F4346	Support plate, R.H. (megaphone)	
32	F3703	Peg, support plates	4 off
33	F3702	Stud, support plates	2 off
34	F3450	Footrest, L.H.	
35	F3705CTE	Footrest, R.H., folding	
36	F3701	Stud, footrest to plate	2 off
37	H193	Nut	4 off
38	F1695	Rubber, footrest	2 off
39	F3166	Rod	Replaces footrest hanger
40	F3707	Pedal, rear brake	

HIGH PERFORMANCE PARTS — GROUP 39

REF. No.	PART No.	DESCRIPTION	REMARKS
OIL TANK (1 GALLON)			
1	F4329	Oil tank	
2	F3796	Filler cap "captive"	
3	F4335	Pipe, vent (flexible)	Long
4	F4330	Stud, seat lug to backstays	
5	F4331	Nut, R.H. only	
6	F4106	Bracket, bottom fixing	
7	F3814	Cup, top and bottom fixing	4 off
8	F4108	Rubber, top and bottom fixing	2 off
9	F967	Rubber, top and bottom fixing	2 off
10	F3816	Bolt, oil tank fixing	2 off
11	F3955	Nut, oil tank fixing	3 off
12	F2417	Wire, locking	2 off
13	F4110	Cup, rear fixing	2 off
14	F4109	Rubber, rear fixing	1 off
15	F4107	Rubber, rear fixing	1 off

CARBURETTERS

Cylinder head fittings for T122 to fit twin carburetters

16	E3006	Flange, inlet	1
17	E3009	Sleeve, inlet flange	2
18	E3004	Stud, flange to head	4
19	E3650	Joint washer, flange to head	2
20	E2728	Washer, stud	4
21	W103	Nut, stud	4
22	E2618	Joint washer, distance piece to flange	2
23	E3007	Distance piece, L.H.	1
24	E3008	Distance piece, R.H.	1
25	E2674	Stud, carburetter to flange	4
26	S1-51	Nut, carburetter	4
27	S25-3	Washer	4
28	NA-43	Joint washer, carburetter	2

Type 6 Carburetters

29	76AO	Carburetter mixing chamber assembly, L.H.	
30	76AN	Carburetter mixing chamber assembly, R.H.	
31	14 538	Float chamber (remote)	
32	F3745	Clip, frame tube	2
33	F3740	Block, rubber	1
34	F1149	Bolt, frame clip	2
35	E1612	Washer, shakeproof	2
36	W103	Nut, frame clip	2
37	F3746	Clip, float chamber	1
38	TE164D	"D" washer	1
39	TE164C	"D" nut	1
40	TE164E	Bolt, float clip	1

GROUP 39 — HIGH PERFORMANCE PARTS

REF. No.	PART No.	DESCRIPTION	REMARKS
Petrol Pipes Type 6 Carburetters			
1	F3748	Pipe, tank to float chamber	2 off
2	F3694	Pipe, mixing chambers connecting	
3	F3695	Pipe, connecting pipe to float chamber (flexible) ...	
4	D177-2	Clip, flexible pipe	2 off
Monobloc Carburetters (for 500 c.c. Models without splayed port)			
5	376 75	Carburetter, R.H. with modified float chamber ...	Amal supply
6	376 74	Carburetter, L.H. (376 35 suitable if already fitted) ...	Amal supply
7	376 128	Nut, special main jet cover, threaded	Amal supply
8	F4250	Pipe, balance	
Petrol Pipes. For standard tank and twin Monobloc carburetters			
9	F2593	Adaptor and gauze	2
10	F1511	Washer, fibre	5
11	F4286	Pipe to T-piece	2
12	F4289	Olive, petrol pipe	2
13	F4290	Nut, petrol pipe	2
14	F4285	T-piece	1
15	F4303	Tap, petrol	1
16	F4291	Pipe, tap to carburetters	1
Monobloc Carburetters (splayed port Models)			
17	376 77	Carburetter 1" bore	500 c.c. models
18	376 40	Carburetter 1 $\frac{1}{16}$ " bore	650 c.c. models
G.P. Carburetter (500 c.c. splayed port Models)			
19	E3671	Adaptor, cylinder head	2
20	E3786	Connection, rubber	2
21	1 $\frac{1}{4}$ "-1 $\frac{3}{8}$ "	Jubilee clip	4
22	E3675	Adaptor, carburetter	2
23	15GP	Carburetter, 1" bore	2
24	302/11	Float chamber (remote)	1
25	F4342	Bracket, carburetter and float chamber	1
26	F4344	Connection, petrol pipe	1
27	E3203	Grommet, float chamber bracket	
28	F4341	Stud, float chamber bracket	
29	F879	Nut	2
30	S25-1	Washer	2
31	F3840	Cap, float chamber bracket	2
32	E2593	Bolt	1
33	S1051	Nut	1
34	S26-3	Washer	1

HIGH PERFORMANCE PARTS — GROUP 39

REF. No.	PART No.	DESCRIPTION	REMARKS
Throttle Cable G.P. Carburetters			
1	D379	Throttle cable assembly	
2	D380	Cable, handlebar to junction box	
3	244/104	Junction box, throttle cable	
4	D381	Cable, junction box to carburetter	2 off

For Type 6 or Monobloc Carburetters use the T120 throttle cable

HANDLEBARS

5	H1082	Handlebar, racing dropped	$\frac{7}{8}$ " diameter
6	18/557	Lever, assembly front brake	
7	18/556	Lever assembly, clutch	
8	12/161	Lever assembly, ignition	
9	16/117	Twistgrip	
10	16/069	Grip, handlebar	

SUSPENSION UNITS

11	SB4/259	Suspension unit ($3\frac{1}{2}$ " stroke)	Standard on Trophy
----	---------	---	--------------------

EXHAUST PIPES & MEGAPHONES

12	E3628	Pipe, exhaust, L.H. $1\frac{1}{2}$ "	} T110 Standard also TR6
13	E3632	Pipe, exhaust, R.H. $1\frac{1}{2}$ "	
14	E3817	Silencer, L.H. (straight through)	
15	E3816	Silencer, R.H. (straight through)	
16	E3629	Pipe, exhaust, L.H. $1\frac{1}{2}$ "	} T100 Standard with silencers E3817 and E3816
17	E3633	Pipe, exhaust, R.H. $1\frac{1}{2}$ "	
18	E3630	Pipe, exhaust, L.H. $1\frac{1}{2}$ "	
19	E3634	Pipe, exhaust, R.H. $1\frac{1}{2}$ "	
20	E2734	Megaphone, L.H.	} T100
21	E2735	Megaphone, R.H.	
22	E3479L.H.	Megaphone, L.H. (reverse cone)	
23	E3479R.H.	Megaphone, R.H. (reverse cone)	} T100
24	E3778	Pipe, exhaust, L.H., $1\frac{5}{16}$ "	
25	E3780	Pipe, exhaust, R.H. $1\frac{5}{16}$ "	
26	E3782	Megaphone, L.H.	} T100
27	E3783	Megaphone, R.H.	
28	E3023	Extension, L.H. $1\frac{1}{2}$ "	
29	E3024	Extension, R.H. $1\frac{1}{2}$ "	
30	E3103	Extension, L.H. $1\frac{3}{4}$ "	
31	E3104	Extension, R.H. $1\frac{3}{4}$ "	

GROUP 39 — HIGH PERFORMANCE PARTS

REF. No.	PART No.	DESCRIPTION	REMARKS
MUDGUARDS			
1	H1269	Mudguard, front	1
2	H1271	Stay, front	1
3	H1270	Bridge, mudguard support	1
4	H1273	Stay, lower	1
5	H2335	Bolt, bridge and stay to fork leg	2
6	S25-3	Washer, plain	2
7	F929	Bolt, lower stay to fork leg	2
8	S25-3	Washer, plain	2
9	DS57	Bolt, mudguard to stays, $\frac{7}{16}$ " U.H.	6
10	S25-1	Washer, plain	6
11	F879	Nut	6
12	F4348	Mudguard, rear	1
13	F4340	Bridge, mudguard	1
14	DS57	Bolt	4
15	S26-2	Washer	4
16	F879	Nut	4
17	F3880	Stay, c w racing number brackets	1
18	DS55	Bolt, stay to frame	2
19	S26-3	Washer	2
20	S1-51	Nut	2

GUARANTEE

WE give the following guarantee with our motorcycles, motorcycle combinations and sidecars, including all accessories and component parts other than tyres, saddles, chains and lighting and electrical equipment, and other than accessories and component parts supplied to the order of the Purchaser and differing from those comprised in the standard specifications supplied with our motorcycles, motorcycle combinations and sidecars, but including accessories and parts supplied by way of exchange as hereinafter provided. This guarantee is given in place of any implied conditions or warranties or any liabilities whatsoever statutory or otherwise; no guarantee except that hereinafter contained and no conditions or warranty whatsoever statutory or otherwise is given or is to be implied, nor are we to be under any liability whatsoever except under the guarantee hereinafter contained. Any statement, description, condition or representation contained in any catalogue, advertisement, leaflet or other publication shall not be construed as enlarging, varying or overriding anything herein contained. In the case of machines (a) which have been used for "hiring out" purposes or (b) any motorcycle and/or sidecar used for any dirt track, cinder track or grass track racing or competitions (or any competition of any kind within an enclosure for which a charge is made for admission to take part in or view the competition) or (c) machines from which the trade mark, name or manufacturing number has been altered or removed or (d) any machines in which parts have been used not supplied by or approved by the motorcycle manufacturer or (e) any machine from which the silencing system as fitted by the manufacturer has been partially or wholly removed or interfered with, no guarantee, condition or warranty of any kind statutory or otherwise, is given or is to be implied, nor are we to be under any liability whatsoever in respect of any such machine. We guarantee, subject to the conditions mentioned below, that all precautions which are usual and reasonable have been taken by us to secure excellence of materials and workmanship but this guarantee is to extend and be in force for six months only in U.K. and ninety days overseas from date of purchase, or date of exchange in case of any accessory or part supplied by way of exchange as hereinafter provided, and damages for which we make ourselves responsible under this guarantee are limited to the free repair of or supply of a new part or accessory in exchange for the part of the motorcycle, motorcycle combination or sidecar or accessory which may have proved defective. We undertake, subject to the conditions mentioned below, to make good in manner aforesaid any part or accessory covered by this guarantee which has proved defective within the said period. We do not undertake to replace or refix or bear the cost of replacing or refixing any such new part or accessory in the motorcycle, motorcycle combination or sidecar. As motorcycles, motorcycle combinations and sidecars are easily liable to derangement by neglect or misuse, this guarantee does not apply to defects caused by wear and tear, misuse or neglect. The term "misuse" shall include, amongst others, the following acts: 1. The attaching of a sidecar to a motorcycle in such a manner as to cause damage or calculated to render the latter unsafe when ridden. 2. The use of a motorcycle or of a motorcycle and sidecar combined, when carrying more persons or a greater weight than that for which the machine was designed by the manufacturers. 3. The attaching of a sidecar to a motorcycle by any form of attachment not provided, supplied or approved by the manufacturers, or to a motorcycle which is not designed for such use. We do not guarantee tyres, saddles, chains or lighting and electrical equipment, or any accessories or component parts supplied to the order of the Purchaser differing from those comprised in the standard specifications supplied with our motorcycle combinations or sidecars. As regards all such tyres, saddles, chains, lighting and electrical equipment, accessories and component parts, no guarantee, condition or warranty of any kind statutory or otherwise is given or is to be implied, and we are to be under no liability whatsoever in respect thereof.

CONDITIONS OF GUARANTEE

If a defective part or accessory should be found in our motorcycles, motorcycle combinations or sidecars, or in any part or accessory supplied by way of exchange as before provided, it must be sent to us CARRIAGE PAID and accompanied by an intimation from the owner that he desires to have it repaired or exchanged free of charge under our guarantee, and he must also furnish us at the same time with the frame number of the machine, the date of purchase or the date when the alleged defective part or accessory was exchanged as the case may be. Failing compliance with the above, such articles will lie here at THE RISK OF THE OWNER, and this guarantee and any implied guarantee, warranty or condition shall not be enforceable.

REPAIRS

Any motorcycle, motorcycle combination or sidecar sent to us to be plated, enamelled or repaired will be repaired upon the following conditions, *i.e.*, we guarantee that all precautions which are usual and reasonable have been taken by us to secure excellence of materials and workmanship, such guarantee to extend and be in force for three months only from the time such work shall have been executed, and this guarantee is in lieu and in exclusion of all conditions and warranties statutory or otherwise, and all liabilities whatsoever and the damages recoverable are limited to the cost of any further work which may be necessary to amend and make good the work found to be defective.

NOTE

We do not appoint agents for the sale on our behalf of our motorcycles or other goods, but we assign to motorcycle Dealers areas in which we supply to such Dealers exclusively for re-sale in such areas. No such Dealer is authorised to transact any business, give any warranty, make any representation or incur any liability on our behalf. Published retail prices are for delivery free of charge at Dealers' premises. All goods are offered for sale subject to the price ruling at time of delivery. We reserve the right to modify or deviate from the published specification.

TRIUMPH SERVICE

There are Triumph distributors and dealers in all parts of the world who carry adequate stocks of Triumph parts and who are ready at all times to help and advise owners of Triumph motorcycles.

INDEX

	Page No.
Group 1—CARTON PACKS	9
Group 2—ENGINE	19
Connecting rods	23
Crankcase	23
Crankcase bearings	32
Crankcase breather	34
Crankcase oil filter	32
Crankcase and flywheel assembly	22
Cylinder block	19
Cylinder head	19
Inlet manifold	19
Engine sprocket	35
Oil pump	32
Oil release valve	33
Overhead rocker gear	34
Piston, rings, etc.	21
Push rods	34
Push rod cover tube	34
Rocker oil feed and drain pipes	35
Studs and bolts for crankcase halves	32
Tappets and tappet blocks	34
Timing cover	33
Timing gear and camshafts	33
Valves, guides and springs	21
Group 3—GASKET SET	35
Group 4—GEARBOX	36
Clutch and shock absorber	41
Clutch control	42
Gear change selector mechanism	40
Gearbox casing	36
Gearbox fittings	37
Gearbox casing bearings	37
Gearbox sprocket	41
Kickstarter	40
Shafts and gears	37
Group 5—WIDE RATIO GEARS	43
Group 6—STANDARD RATIO GEARS	43
Group 7—CLOSE RATIO GEARS	43
R.P.M. and gear ratio charts	44
Group 8—EXHAUST SYSTEM	45

	Page No.
Group 9—FRAME	48
Front portion	50
Rear portion	50
Swinging fork	51
Group 10—STAND	51
Front stand	51
Centre stand	51
Prop stand	51
Group 11—ENGINE PLATES	52
Group 12—FRONT FORK	53
Group 13—FRONT WHEEL	59
Group 14—REAR WHEEL	64
Group 15—REAR WHEEL (Quickly detachable)	67
Group 16—MUDGUARDS	68
Front mudguard	68
Rear mudguard	70
Licence holder	70
Group 17—NUMBER PLATE	70
Group 18—PETROL AND OIL TANK	71
Parcel grid	74
Petrol tank	71
Oil tank	74
Group 19—CHAINGUARD	74
Group 20—PRIMARY CHAINCASE	76
Group 21—HANDLEBAR	78
Air control	80
Clutch control	80
Front brake control	80
Handlebar bend	78
Throttle control	78
Magneto control	81
Group 22—CONTROL CABLE	81
Air cable	82
Clutch cable	81
Front brake cable	81
Ignition cable	82
Throttle cable	81

	Page No.
Group 23—OVERSEAS HANDLEBARS	82
Group 24—REAR BRAKE CONTROL	83
Group 25—FOOTRESTS	83
Group 26—BATTERY CARRIER AND TOOLBOX	84
Group 27—TOOLKIT	86
Group 28—AIR FILTER	88
Group 29—LEGSIELDS	89
Group 30—SIDECAR FITTINGS	89
PROPRIETARY FITTINGS	90
Group 31—AMAL CARBURETTER	91
Group 32—CHAINS	95
Group 33—LUCAS LIGHTING AND IGNITION EQUIPMENT (Dynamo and Magneto)	96
Battery	99
Cut-out and regulator unit	96
Dynamo	96
Handlebar switches and push buttons	99
Headlamp—Nacelle type	97
Headlamp—Trophy type	97
Horn	97
Magneto	100
Nacelle instrument panel	99
Stop-tail lamp	99
Wiring harness	99
Group 34—LUCAS LIGHTING AND IGNITION (Alternator)	104
Alternator	104
Battery	106
Distributor	104
Headlamp	105
Horn push and dipper switch	106
Horn	106
Ignition coil	104
Nacelle instrument panel	106
Rectifier	104
Stop-tail lamp	105
Wiring harness	106

	<i>Page No.</i>
Group 35—TWINSEAT	107
Group 36—SPARKING PLUGS	107
Group 37—SPEEDOMETER	107
Group 38—SUSPENSION UNITS (GIRLING)	108
Group 39—HIGH PERFORMANCE PARTS	109

ILLUSTRATION INDEX

		Page No.
Fig. 1	Inlet Manifolds	20
„ 2	Engine 6T Crankcase, cylinder block and head	24
„ 3	Engine 6T Crankshaft, connecting rod, pistons and timing gear	24
„ 4	Engine T100 Crankcase, cylinder block and head	26
„ 5	Engine T100 Crankshaft, connecting rods, pistons and timing gear	26
„ 6	Engine TR6 and T110 Crankcase, cylinder block and head	28
„ 7	Engine TR6 and T110 Crankshaft, connecting rods, pistons and timing gear	28
„ 8	Engine T120 Crankcase, cylinder block and head	30
„ 9	Engine T120 Crankshaft, connecting rods, pistons and timing gear	30
„ 10	Gearbox	38
„ 11	Clutch and shock absorber	42
„ 12	Exhaust pipes and silencers	46
„ 13	Frame	48
„ 13	Engine plates, studs, bolts, nuts and washers	52
„ 15	Telescopic fork 6T, T100, T110 and T120	54
„ 16	Telescopic fork TR6	56
„ 17	Front wheel 6T	60
„ 18	Front wheel T100, T110, TR6 and T120	62
„ 19	Rear wheel	65
„ 20	Rear wheel (quickly detachable)	68
„ 21	Front and rear mudguards	66
„ 22	Petrol tanks and fittings	72
„ 23	Oil tank	75
„ 24	Primary chaincase	77
„ 25	Handlebar and controls	79
„ 26	Battery carrier and toolbox	85
„ 27	Tool kit	87
„ 28	Air filter	88
„ 29	Amal carburetter	92
„ 30	Headlamp	98
„ 31	Magneto	103

To assist the owner and dealer in identifying requirements, this book contains numerous exploded views of major assemblies. Each component part is numbered and by cross reference to the illustration index, the part number of the component will be found. Against each part number a page and reference number is shown and by referring to the appropriate page, the full description of the part will be found against the reference number.

Example.

To find the part number of a scraper ring for the model T100.

1. Refer to illustration index above where it will be found that the exploded view of the T100 crankshaft assembly is on page 26.
2. Note that the number of the scraper ring on the illustration is 4.
3. Refer to the index for the illustration in question on page 27.
4. Note that No. 4 is part number GE29, listed on page 22, Reference line No. 7.

MANIERE D'IDENTIFIER LA PIÈCE DE RECHANGE REQUISE.

Afin d'assister MM. les marchands et MM. les possesseurs à l'identification des pièces de rechange ce livre contient de nombreuses illustrations des montages principaux en façon de "perspectives éclatées".

Chaque pièce composante est numérotée ; en se référant à l'index des illustrations on peut trouver le numéro relatif.

A côté de chaque pièce illustrée se trouve le numéro de la page et le numéro de référence ; en se référant à la page appropriée la description complète de la pièce sera facilement constatée.

Exemple.

Pour identifier le numéro de référence du segment racleur pour le modèle T100 veuillez :—

1. Se référer à la page intitulée "illustration index" où on trouvera que la "perspective éclatée" du moteur de la T100 est illustrée sur la page 26.
2. Noter qu'à côté du segment racleur se trouve le numéro 4.
3. Se référer à l'index donné sur la page numéro 27.
4. On y constatera que, suivant le numéro 4 se trouve.
 - (a) le numéro relatif—GE.29.
 - (b) le numéro de la page d'index—22.
 - (c) la ligne de référence—7.

ANWEISUNG ZUR IDENTIFIZIERUNG BENOETIGTER ERSATZTEILE

Dieses Buch enthaelt mehrere zerlegte Ansichten der wesentlichen Bestandteile, um den Eigentuemern und Haendlern bei der Identifizierung ihrer Beduerfnisse behilflich zu sein.

Jede Komponente ist nummeriert, und unter Bezugnahme des Illustrations Indexes kann die Teilnummer der Komponente gefunden werden.

Gegen jede Teilnummer ist eine Seiten- und eine Referenznummer gegeben, und unter Beruecksichtigung der Seite kann man die vollstaendige Beschreibung des Teiles an hand der Referenznummer ermitteln.

Beispiel.

Wie findet man die Teilnummer eines Abstreifringes fuer Modell T100.

1. Man findet auf Illustrations-Index-Seite, dass sich die zerlegte Ansicht des Motors T100 auf Seite 26 befindet.
2. Die Illustration zeigt als nummer des Abstreifringes 4
3. Der hierzu in Frage kommende Index befindet sich auf Seite 27.
4. No. 4 (Nummer des Abstreifringes) traegt Teilnummer G.E. 29, aufgefuehrt auf Seite 22, Linie 7.

MANERA DE ECONTRAR LA PIEZA DESEADA.

Para ayudar al propietario y al representante en la identificación de las piezas deseadas este libro contiene numerosas ilustraciones de los principales montages.

Cada pieza componente está numerada y al referirse al indice de ilustraciones, se encontrará el número de la pieza.

Contra el número de cada pieza se muestra el número de la página y el número de referencia y al referirse a la página apropiada, la descripción completa de cada pieza se encontrara contra el número de referencia.

Ejemplo.

Para encontrar el número de pieza de un segmento para el modelo T100.

1. Referirse a la página-índice de ilustraciones donde se verá que la ilustración del montage del motor T100 esta en la página 26.
2. Nótese que el número del segmento en la ilustración es 4.
3. Referirse al índice de la ilustración en cuestión en la página 27.
4. Notese que No. 4 es pieza número GE29 en la lista de la página 22 línea de referencia No. 7.